

# Grade 3 Knob Locks 10 Series



## Overview

The 10-Series door knobs are residential cylindrical locks. Available in three keyways and multiple finishes, they can be used in a variety of residential and light commercial applications. These locks are recommended for use on exterior and interior doors.

## Compliance

- ANSI/BHMA 156.2 Series 4000, Grade 3

## Applications

- Houses
- Apartments
- Offices
- Businesses



# Grade 3 Knob Locks, 10 Series

## Standard Features:

<b>Latch</b>	Adjustable 2 <sup>3</sup> / <sub>8</sub> " and 2 <sup>3</sup> / <sub>4</sub> " Backset, 2 <sup>3</sup> / <sub>4</sub> " Drive-In Latches Available
<b>Handing</b>	Non-Handed
<b>Materials</b>	Brass, Stainless steel, Steel
<b>Strike</b>	2 <sup>1</sup> / <sub>4</sub> " full lip
<b>Door Prep</b>	2 <sup>1</sup> / <sub>8</sub> " diameter bore x 1" crossbore; 2 <sup>1</sup> / <sub>4</sub> " x 1" latch face
<b>Door Thickness</b>	1 <sup>3</sup> / <sub>8</sub> " - 1 <sup>3</sup> / <sub>4</sub> " standard
<b>Rose Diameter</b>	2 <sup>19</sup> / <sub>32</sub> "
<b>Keying</b>	Available in KW1, WR5, or SC1; Rekeyable 5-pin; Keyed Alike (KA4) in four

# Grade 3 Knob Locks, 10 Series

## Designs

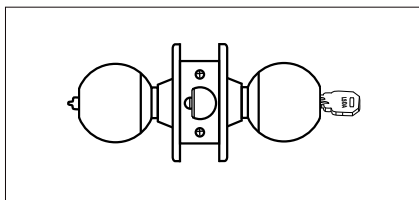


Standard Design  
Entrance Function,  
Shown in 32D Finish



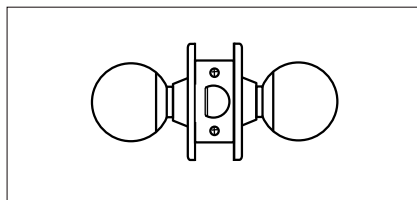
Ball Design  
Entrance Function,  
Shown in 11P Finish

## Functions



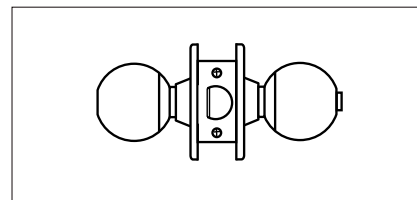
### Entrance/Office

Pushing and turning inside button locks outside knob requiring use of key until button is manually unlocked. Pushing inside button locks outside knob until unlocked with a key or inside knob is turned. Inside knob always retracts the latch.



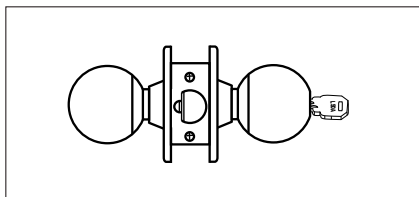
### Passage

Both knobs always retract the latch



### Privacy

Pushing inside button locks outside knob until inside knob is turned. Emergency tool can be used to unlock outside knob. Inside knob always retracts the latch.



### Storeroom

Outside knob never retracts the latch. Entrance by key only. Inside knob always retracts the latch.

# Grade 3 Knob Locks, 10 Series

## How to Order

### Entrance

Mfr.#	Design	Finish	Keyway	EZ#
<b>10S3K KA4</b>	Standard	3	KW1	<b>009736</b>
<b>10S3W KA4</b>	Standard	3	WR5	<b>028826</b>
<b>10S32D K KA4</b>	Standard	32D	KW1	<b>009737</b>
<b>10S32D W KA4</b>	Standard	32D	WR5	<b>041131</b>
<b>10S5K KA4</b>	Standard	5	KW1	<b>009738</b>
<b>10S5W KA4</b>	Standard	5	WR5	<b>041130</b>
<b>10B3K KA4</b>	Ball	3	KW1	<b>035956</b>
<b>10B3S KA4</b>	Ball	3	SC1	<b>062595</b>
<b>10B3W KA4</b>	Ball	3	WR5	<b>035957</b>
<b>10B32D K KA4</b>	Ball	32D	KW1	<b>035962</b>
<b>10B32D S KA4</b>	Ball	32D	SC1	<b>062597</b>
<b>10B32D W KA4</b>	Ball	32D	WR5	<b>035963</b>
<b>10B MB3K KA4</b>	Ball	MB3	KW1	<b>068808</b>
<b>10B MB3S KA4</b>	Ball	MB3	SC1	<b>068827</b>
<b>10B MB3W KA4</b>	Ball	MB3	WR5	<b>068809</b>
<b>10B5K KA4</b>	Ball	5	KW1	<b>035959</b>
<b>10B5S KA4</b>	Ball	5	SC1	<b>062596</b>
<b>10B5W KA4</b>	Ball	5	WR5	<b>035960</b>
<b>10B15K KA4</b>	Ball	15	KW1	<b>078111</b>
<b>10B15S KA4</b>	Ball	15	SC1	<b>087804</b>
<b>10B11P K KA4</b>	Ball	11P	KW1	<b>091344</b>
<b>10B11P S KA4</b>	Ball	11P	SC1	<b>091342</b>
<b>10B11P W KA4</b>	Ball	11P	WR5	<b>091343</b>
<b>10B15A K KA4</b>	Ball	15A	KW1	<b>078110</b>
<b>10B15W KA4</b>	Ball	15	WR5	<b>082760</b>

### Passage

Mfr.#	Design	Finish	EZ#
<b>11S3</b>	Standard	3	<b>009755</b>
<b>11S32D</b>	Standard	32D	<b>009756</b>
<b>11S5</b>	Standard	5	<b>009757</b>
<b>11B15</b>	Ball	15	<b>078114</b>
<b>11B3</b>	Ball	3	<b>009752</b>
<b>11B32D</b>	Ball	32D	<b>009753</b>
<b>11B5</b>	Ball	5	<b>009754</b>
<b>11B11P</b>	Ball	11P	<b>091345</b>
<b>11B MB3</b>	Ball	MB3	<b>068826</b>

### Privacy

Mfr.#	Design	Finish	EZ#
<b>12S3</b>	Standard	3	<b>009778</b>
<b>12S32D</b>	Standard	32D	<b>009779</b>
<b>12B15</b>	Ball	15	<b>078130</b>
<b>12B11P</b>	Ball	11P	<b>091346</b>
<b>12B3</b>	Ball	3	<b>009775</b>
<b>12B32D</b>	Ball	32D	<b>009776</b>
<b>12B5</b>	Ball	5	<b>009777</b>

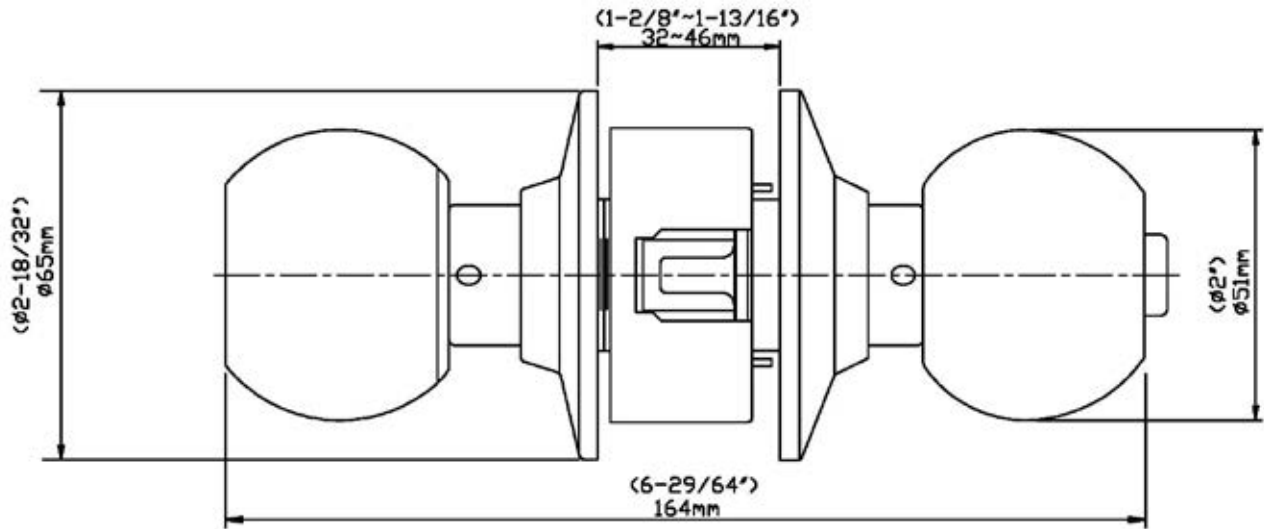
### Storeroom

Mfr.#	Design	Finish	Keyway	EZ#
<b>14S3K KA4</b>	Standard	3	KW1	<b>009786</b>
<b>14S32D K KA4</b>	Standard	32D	KW1	<b>009787</b>
<b>14B3K KA4</b>	Ball	3	KW1	<b>009783</b>
<b>14B32D K KA4</b>	Ball	32D	KW1	<b>035972</b>
<b>14B5K KA4</b>	Ball	5	KW1	<b>009785</b>
<b>14B32D S KA4</b>	Ball	32D	SC1	<b>062600</b>
<b>14B3S KA4</b>	Ball	3	SC1	<b>062598</b>
<b>14B5S KA4</b>	Ball	5	SC1	<b>062599</b>
<b>14B3W KA4</b>	Ball	3	WR5	<b>035971</b>
<b>14B32D W KA4</b>	Ball	32D	WR5	<b>035973</b>

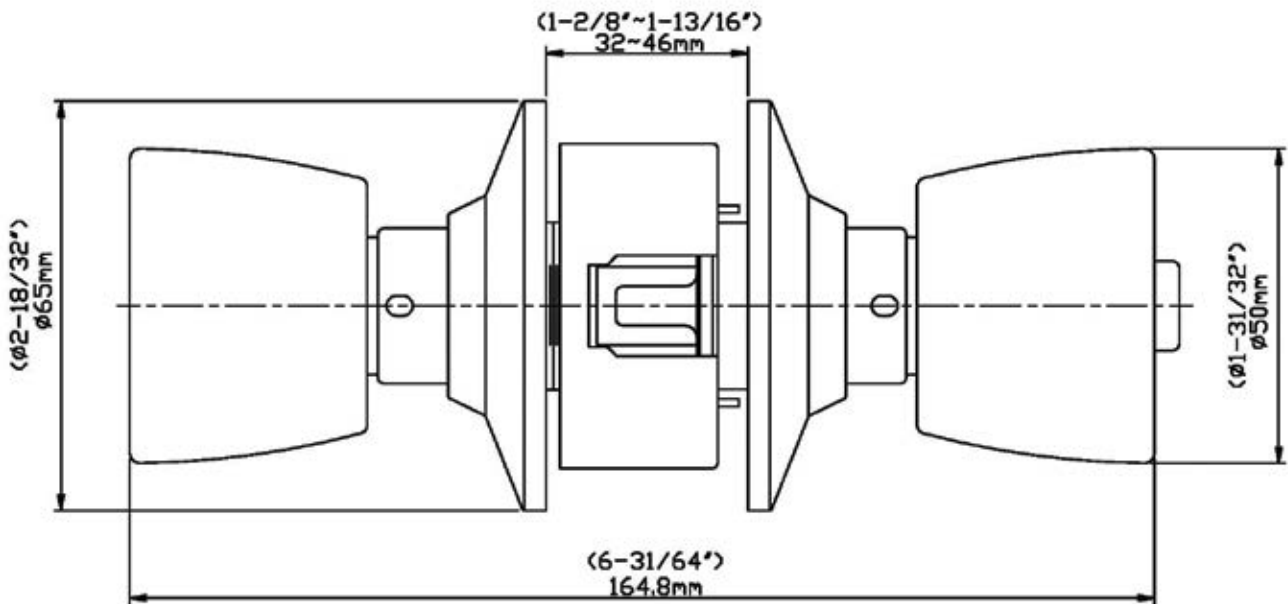
# Grade 3 Knob Locks, 10 Series

## Dimensions

### Ball (B)



### Standard (S)



# Grade 3 Knob Locks, 10 Series

## Parts and Accessories



### 9081N

- 2-Way Deadlatch
- Adjustable 2<sup>3</sup>/<sub>8</sub>" - 2<sup>3</sup>/<sub>4</sub>"
- Finishes: US3, US32D,



### 9082N

- 2-Way Springlatch
- Adjustable 2<sup>3</sup>/<sub>8</sub>" - 2<sup>3</sup>/<sub>4</sub>"
- Finishes: US3, US32D



### 9207

- Screw Packs

Mfr.#	EZ#	Mfr.#	EZ#	Mfr.#	EZ#
9081N3	069254	9082N32D	069258	9207 3	009940
9081N32D	069256	9082N3	069257		

## Finishes

