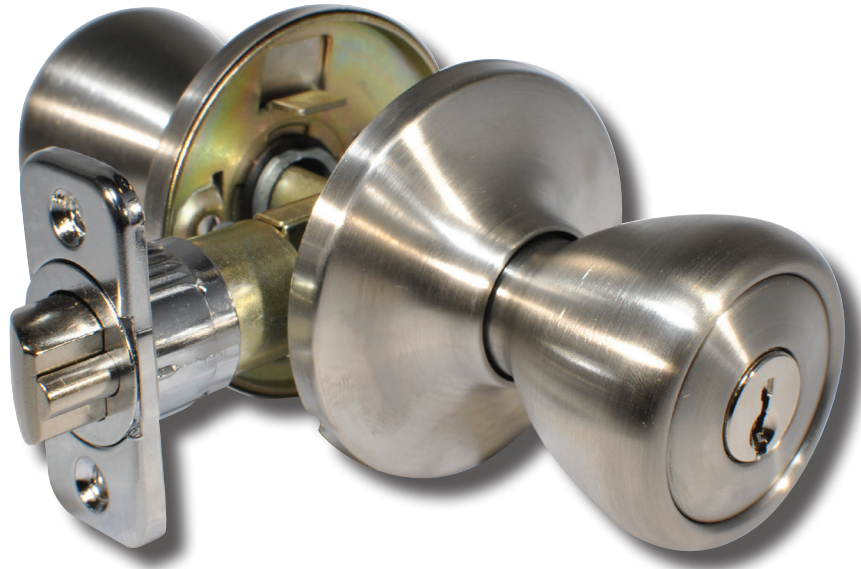


Grade 3 Knob Locks 70 Series



Overview

The 70-Series knobs are residential grade tubular locks in a classic style and available in 3 finishes. These locks feature a half moon spindle and a rounded tulip knob style matching the most popular residential knobs.

Compliance

- ANSI/BHMA 156.2 Series 4000, Grade 3

Applications

- Houses
- Apartments

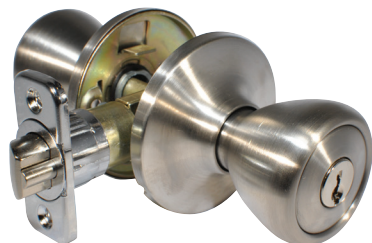


Grade 3 Knob Locks, 70 Series

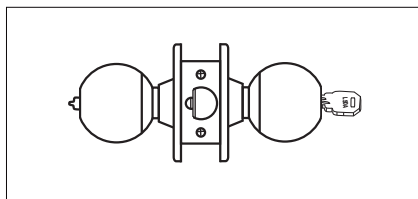
Standard Features:

Latch	Adjustable 2 $\frac{3}{8}$ " and 2 $\frac{3}{4}$ " Backset, Full $\frac{1}{2}$ " latch projection 6-Way Latches come with square corner and radius corner faceplates, and can be installed as drive-in latches 2-Way latches are adjustable and fit $\frac{7}{8}$ " crossbore
Handing	Non-Handed
Materials	Stainless Steel or Brass
Strike	2 $\frac{1}{4}$ " full lip
Door Prep	2 $\frac{1}{8}$ " diameter bore, 1" crossbore; 2 $\frac{1}{4}$ " x 1" latch face
Door Thickness	1 $\frac{3}{8}$ " - 1 $\frac{3}{4}$ " standard
Rose Diameter	2 $\frac{19}{32}$ "
Keying	KW1 cylinder; Rekeyable, 5-pin; Keyed Alike (KA4) in four

Designs

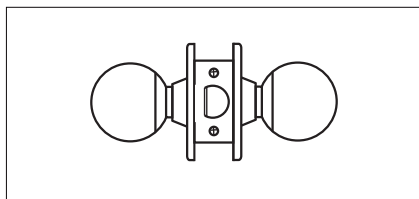


Functions



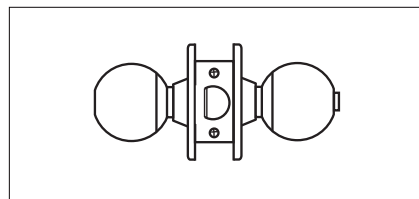
Entry

Turning inside button locks both knobs requiring use of key until button is manually unlocked.



Passage/Hall/Closet

Both knobs always retract the latch.



Privacy/Bed/Bath

Turning inside button locks both knobs until button is manually unlocked. Emergency tool can be used to unlock outside knob.

Grade 3 Knob Locks, 70 Series

How to Order

Entrance Lock

Mfr.#	Finish	Desc.	Keyway	EZ#
70C3K4 6WAY	3	6 Way Latch	KW1	090771
70C32D K4 6WAY	32D	6 Way Latch	KW1	090772
70C5K4 6WAY	5	6 Way Latch	KW1	090773
70C3K4 2WAY	3	2 Way Latch	KW1	074186
70C5K4 2WAY	5	2 Way Latch	KW1	074236
70C5K4 2WAY RCL	5	2 Way Latch RCL	KW1	074239

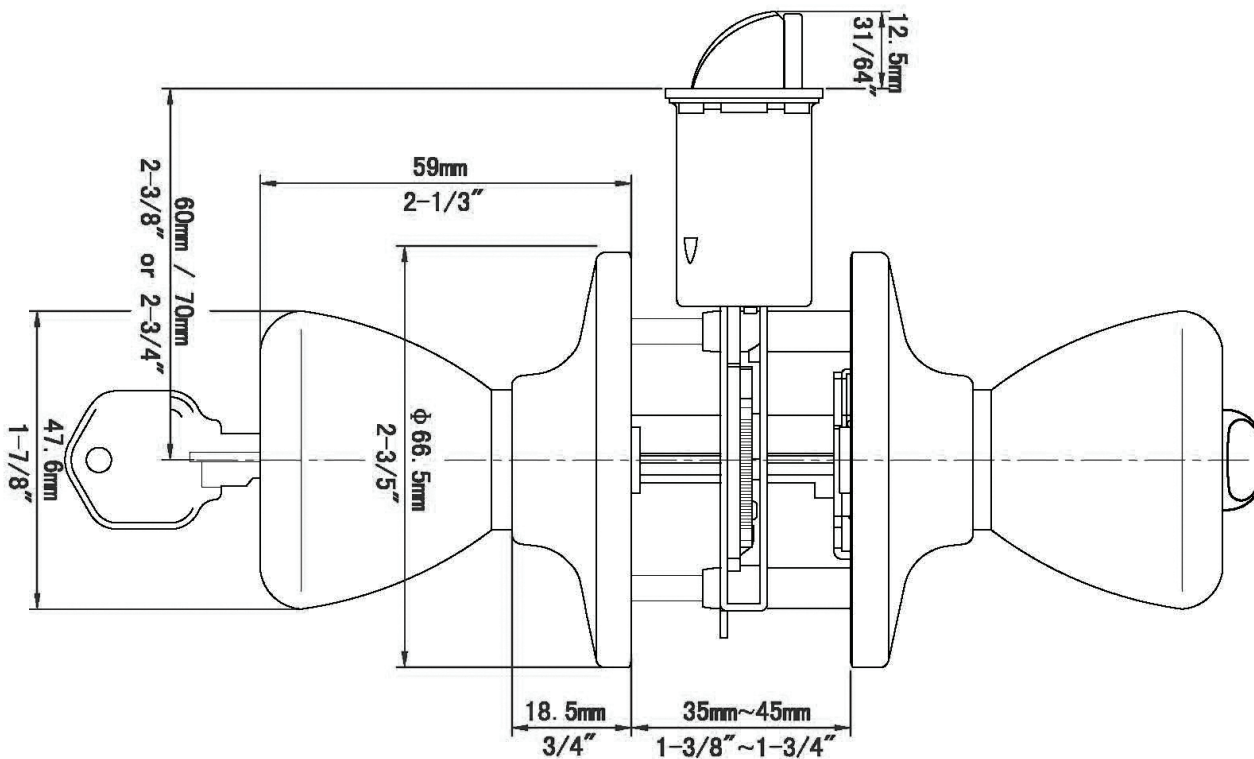
Passage Lock

Mfr.#	Finish	Desc.	EZ#
71C5 6WAY	5	6 Way Latch	090776
71C3 6WAY	3	6 Way Latch	090774
71C32D6WAY	32D	6 Way Latch	090775

Privacy Lock

Mfr.#	Finish	Desc.	EZ#
72C5 6WAY	5	6 Way Latch	090779
72C3 6WAY	3	6 Way Latch	090777
72C32D6WAY	32D	6 Way Latch	090778

Dimensions



Grade 3 Knob Locks, 70 Series

Finishes

US3 / 505 / 605
Bright Brass

A square swatch showing a bright, polished brass finish with a uniform yellow-gold color.

US5 / 609
Antique Brass

A square swatch showing an antique brass finish with a dark, aged brown color and a slightly textured surface.

US32D / 630
Satin Stainless Steel

A square swatch showing a satin stainless steel finish with a brushed, metallic grey color and a fine, linear texture.