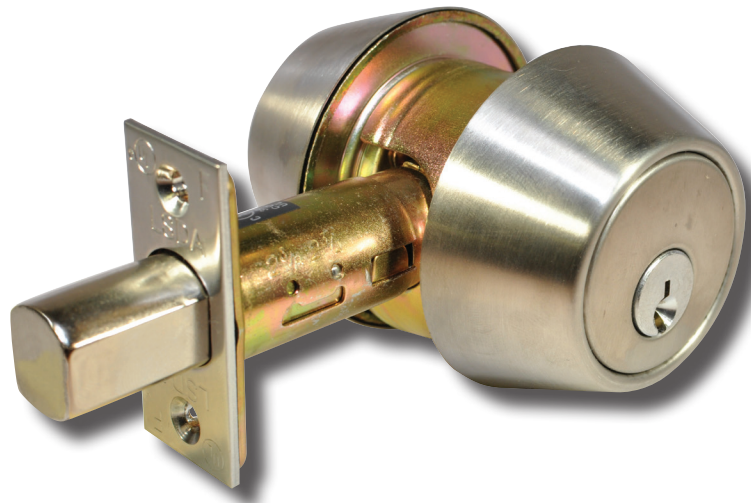


Grade 2 Deadbolts 260 Series



Overview

The 260 Series are heavy-duty deadbolt locks. A removable shroud surrounds the latchbolt and a free-spinning solid metal collar encases the cylinder, resisting most physical attacks. These locks are recommended for use on exterior and interior doors.

Compliance

- ANSI/BHMA 156.2 Series 4000, Grade 2
- Latch is UL / UBC 7-2-1997 Listed for 3-hour fire doors, included

Applications

- Offices
- Commercial Property
- Residences
- Multi-Family Buildings
- Industrial Sites
- Public Buildings.



R15852

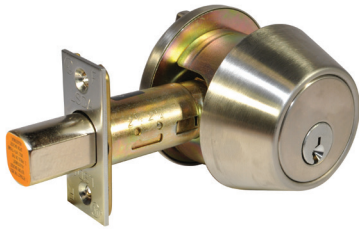
Grade 2 Deadbolts, 260 Series

Standard Features:

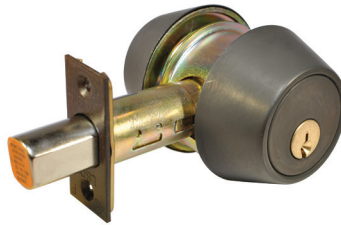
Bolt	Adjustable 2 $\frac{3}{8}$ " to 2 $\frac{3}{4}$ " Backset, or fixed 2 $\frac{3}{4}$ "
Handing	Non-Handed
Materials	Zinc, Brass, Steel
Strike	2 $\frac{3}{4}$ " x 1 $\frac{1}{8}$ " Reinforced type faceplate with 2 long screws
Door Prep	2 $\frac{1}{8}$ " Diameter bore, 1" crossbore Removable Anti-pry shield
Door Thickness	1 $\frac{3}{8}$ " - 1 $\frac{3}{4}$ "
Keying	Available with WR5 or SC4, rekeyable 6-pin, keyed alike in fours. Compatible with many retrofit cylinders such as LSDA C500 and many high-security brands. Small Format Interchangeable Core (SFIC) is available where the lock is prepped for an SFIC cylinder 6- or 7-pin. Large Format Interchangeable Core (LFIC) is available where the lock is prepped for a Schlage LFIC cylinder.

Grade 2 Deadbolts, 260 Series

Designs



Single Cylinder (260)
Shown in 32D Finish

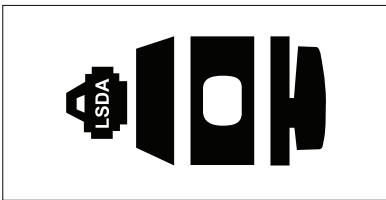


Double Cylinder (265)
Shown in 10BE Finish



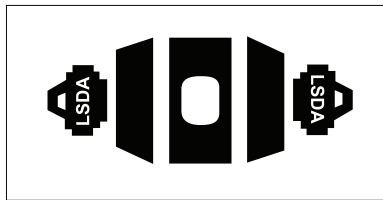
One Sided Indicator (269)
Shown in 26D Finish

Functions



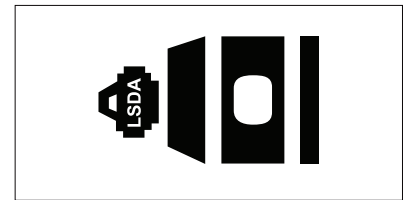
Single Cylinder

Locked or unlocked by a large ADA Compliant thumbturn inside and a key outside



Double Cylinder

Locked and unlocked by a key inside and outside



Single Cylinder with Indicator Deadbolt

Single sided with thumbturn on the inside, and indicator on the outside

** Deadbolts that secure both sides of the door are controlled by building codes and the Life Safety Code. In an emergency exit situation, failure to quickly unlock the inside knob could be hazardous or even fatal.*

Grade 2 Deadbolts, 260 Series

How to Order

Single Cylinder Deadbolt

Mfr.#	Desc.	EZ#
260 19S ADJ UL	SC4 Kwy, Adj. UL Bolt	184417
260 26D S ADJ UL	SC4 Kwy, Adj. Bolt	184425
260 3S2-3/4UL	SC4 Kwy, 2¾ Fixed UL	105687
260S10BE ADJ UL	SC4 Kwy, Adj. Bolt UL	105921
260S32D ADJ UL	SC4 Kwy, Adj. Bolt UL	105923
260IC10BE ADJ UL	L/SFIC, Adj. UL Bolt	183298
260IC10BE2-3/4UL	L/SFIC, 2¾ Fixed UL	180953
260IC19ADJ UL	L/SFIC, Adj Bolt	184418
260IC26D ADJ UL	L/SFIC, Adj UL Bolt	184427
260IC32D2-3/4UL	L/SFIC, 2¾ Fixed UL	105933
260LFIC SC32D ADJ UL	L/LFIC, Adj UL Bolt	183171
260LFIC SC10BE ADJ UL	L/LFIC, Adj UL Bolt	183172

Double Cylinder Deadbolt*

Mfr.#	Desc.	EZ#
265 19S ADJ UL	SC4 Kwy, Adj. Bolt	184419
265 26D S ADJ UL	SC4 Kwy, Adj. Bolt UL	184426
265IC10BE2-3/4UL	SFIC, 2¾ Fixed UL	180954
265IC26D ADJ UL	Less SFIC, Adj. Bolt UL	184428
265IC26D2-3/4UL	Less SFIC, 2¾ Fixed UL	180955
265LFIC SC32D ADJ UL	Less LFIC, Adj Bolt	183173
265LFIC SC10BE ADJ UL	Less LFIC, Adj Bolt	183174
265S10BE ADJ UL	SC4 Kwy, Adj. Bolt UL	105925
265S32D ADJ UL	SC4 Kwy, Adj. Bolt UL	105927

Single Cylinder with Indicator Deadbolt

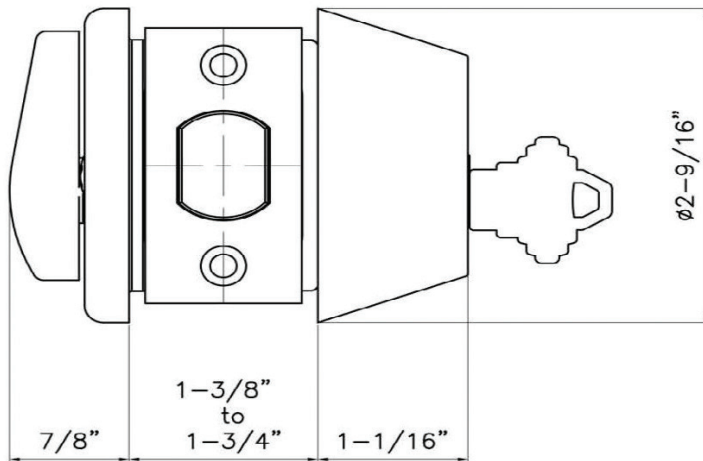
Mfr.#	Desc.	EZ#
269 26D	One-Sided, 26D Finish	182306
269 10BE	One-Sided, 10BE Finish	182307

* Deadbolts that secure both sides of the door are controlled by building codes and the Life Safety Code. In an emergency exit situation, failure to quickly unlock the inside knob could be hazardous or even fatal.

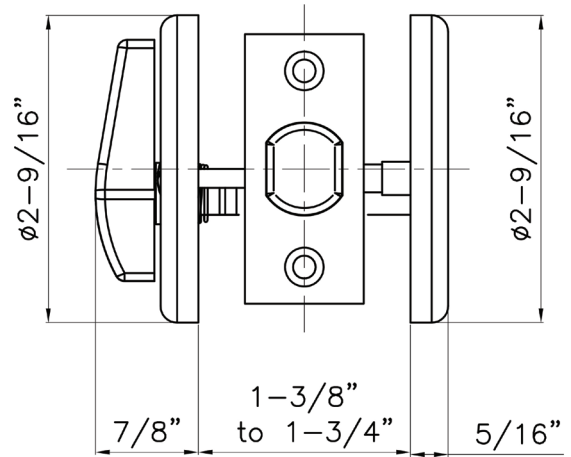
Grade 2 Deadbolts, 260 Series

Dimensions

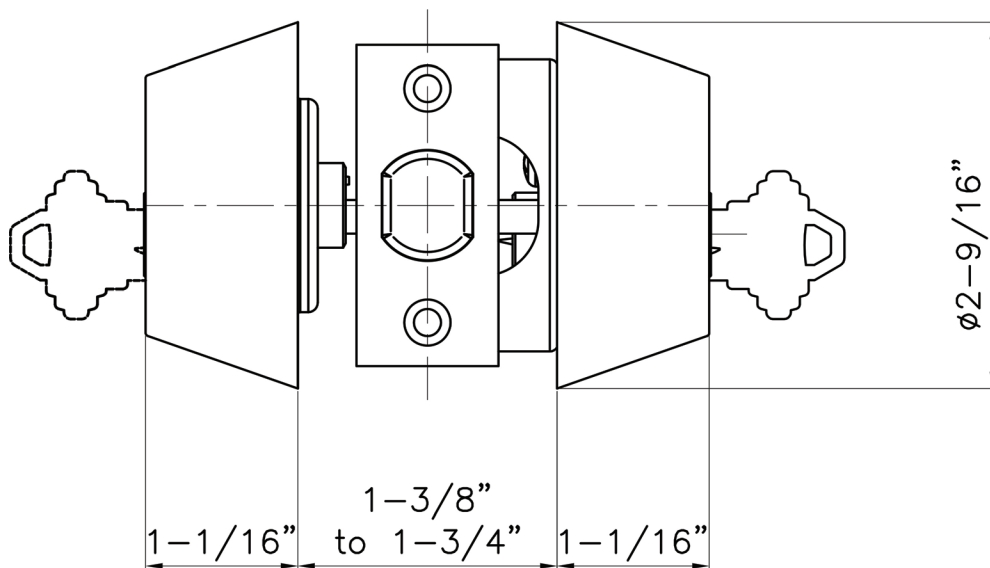
260-Series



269-Series



265-Series



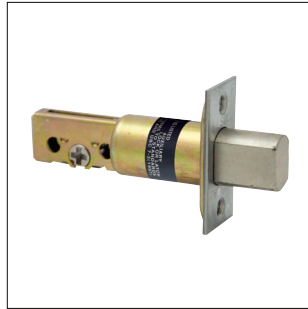
Grade 2 Deadbolts, 260 Series

Parts and Accessories



ULBADJ

- UL Listed
- Adjustable Backset 2¾" - 2⅝"
- Finishes: US10BE, US32D



ULB

- UL Listed
- Fixed Backset 2¾" or 2⅝"
- Finishes: US3, US10B, US19, US32D



DIB

- Drive-In Bolt, fixed Backset 2¾"



269KEY

- Emergency Key for 269 Indicator Deadbolt
- Sold 10 per Pack

Mfr.#	EZ#	Mfr.#	EZ#	Mfr.#	EZ#	Mfr.#	EZ#
ULBADJ10BE	108718	ULB234 3	105697	DIB234	180758	269KEY	183328
ULBADJ32D	108719	ULB234 32D	105698				
		ULB238 10B	184423				
		ULB238 19	184424				

Finishes

US3 / 505 / 605 Bright Brass	US10B / 613 Oil Rubbed Bronze	US19 / BLK / 622 Matte Black Coated	US32D / 630 Satin Stainless Steel	US26D / 626 Satin Chrome