

Grade 3 Deadbolts 20R Series



Overview

The removable cylinder deadbolt locks (20R-Series) offer a flexible removable cylinder option which is compatible with the LSDA C500 cylinders, and many other cylinders including high security cylinders. The locks are easy to rekey, making them an excellent choice for add-ons and retrofits. These locks are recommended for use on exterior and interior doors.

Compliance

- Meets ANSI/BHMA 156.2 Series 4000, Grade 3
- Latch is UL Listed (USA and Canada) for 3-hour fire doors, available where indicated

Applications

- Offices
- Commercial Property
- Residences
- Multi-Family Buildings
- Industrial Sites
- Public Buildings.



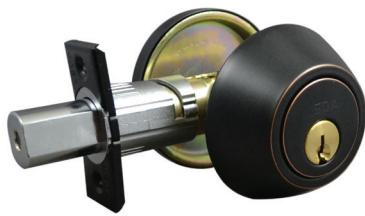
R15852

Grade 3 Deadbolts, 20R Series

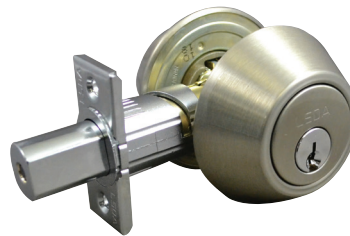
Standard Features:

Bolt	Adjustable 2 $\frac{3}{4}$ " - 2 $\frac{3}{8}$ " Backset, 3-Hour UL listed with 1" x 2 $\frac{1}{4}$ " Faceplate; or 4-Way Bolt
Handing	Non-Handed
Materials	Stainless Steel, Zinc, Steel, and brass cylinder plug
Strike	1 $\frac{1}{8}$ " x 2 $\frac{3}{4}$ "
Door Prep	1 $\frac{1}{2}$ " or 2 $\frac{1}{8}$ " diameter bore, 1" crossbore
Door Thickness	1 $\frac{3}{8}$ " - 1 $\frac{3}{4}$ "
Keying	Removable KW1, WR5, or SC4 keyway Rekeyable 6-pin (keyed 5-pin), Keyed Alike (KA4) in four Compatible with LSDA C500 cylinders and many other retrofit cylinders including many high-security brands such as Ilco 7065, Assa 65611, Medeco 20W0901, and Schlage 20-724C.

Designs

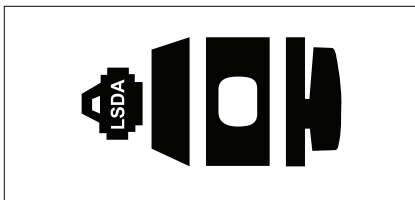


Single Cylinder (260)
Shown in 11P Finish



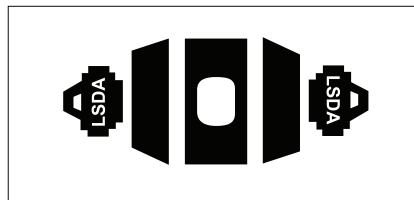
Double Cylinder (265)
Shown in 15 Finish

Functions



Single Cylinder

Single Cylinder, locked or unlocked by a thumbturn inside and a key outside



Double Cylinder

Double Cylinder, locked and unlocked by a key inside and outside

** Deadbolts that secure both sides of the door are controlled by building codes and the Life Safety Code. In an emergency exit situation, failure to quickly unlock the inside knob could be hazardous or even fatal.*

Grade 3 Deadbolts, 20R Series

How to Order

Single Cylinder Deadbolts

Mfr.#	Desc.	EZ#
20R11P K 4WAY KA4	4-Way Bolt, KW1	181801
20R11P S 4WAY KA4	4-Way Bolt, SC1	181802
20R11P W 4WAY KA4	4-Way Bolt, WR5	181803
20R15K 4WAY KA4	4-Way Bolt, KW1	181798
20R15S 4WAY KA4	4-Way Bolt, SC1	181799
20R15W 4WAY KA4	4-Way Bolt, WR5	181800
20R19K4WAY KA4	4-Way Bolt, KW1	182324
20R19S4WAY KA4	4-Way Bolt, SC1	182325
20R19W ADJ UL KA4	Adj. Bolt, WR5	181681
20R26D S ADJ UL KA4	Adj. Bolt, SC1	184072
20R32D K ADJ UL KA4	Adj. Bolt, KW1	086308
20R32D S ADJ UL KA4	Adj. Bolt, SC1	086309
20R32D W ADJ UL KA4	Adj. Bolt, WR5	086310
20R3K ADJ UL KA4	Adj. Bolt, KW1	086305
20R3S ADJ UL KA4	Adj. Bolt, SC1	086306
20R3W ADJ UL KA4	Adj. Bolt, WR5	086307
20R5K 4WAY KA4	4-Way Bolt, KW1	181804
20R5S 4WAY KA4	4-Way Bolt, SC1	181805
20R5W 4WAY KA4	4-Way Bolt, WR5	181806

Double Cylinder Deadbolts*

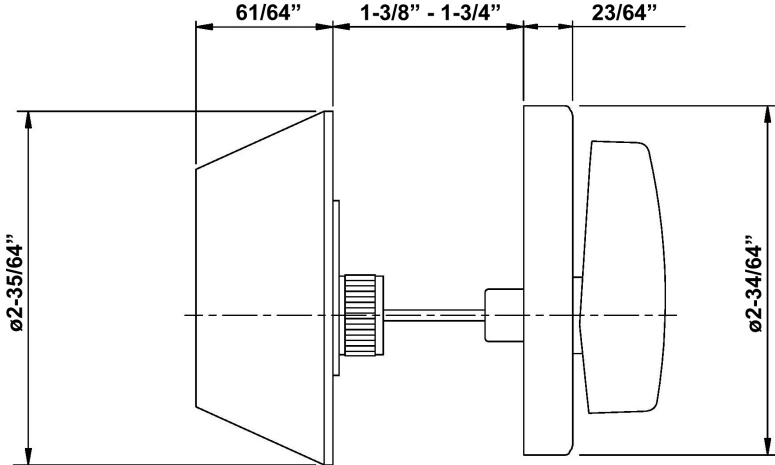
Mfr.#	Desc.	EZ#
25R11P K 4WAY KA4	4-Way Bolt, KW1	181810
25R11P S 4WAY KA4	4-Way Bolt, SC1	181811
25R11P W 4WAY KA4	4-Way Bolt, WR5	181812
25R15K 4WAY KA4	4-Way Bolt, KW1	181807
25R15S 4WAY KA4	4-Way Bolt, SC1	181808
25R15W 4WAY KA4	4-Way Bolt, WR5	181809
25R19K4WAY KA4	4-Way Bolt, KW1	182326
25R19S4WAY KA4	4-Way Bolt, SC1	182327
25R19W ADJ UL KA4	Adj. Bolt, WR5	181682
25R32D K ADJ UL KA4	Adj. Bolt, KW1	086314
25R32D S ADJ UL KA4	Adj. Bolt, SC1	086315
25R32D W ADJ UL KA4	Adj. Bolt, WR5	086316
25R3K ADJ UL KA4	Adj. Bolt, KW1	086311
25R3S ADJ UL KA4	Adj. Bolt, SC1	086312
25R3W ADJ UL KA4	Adj. Bolt, WR5	086313

* Deadbolts that secure both sides of the door are controlled by building codes and the Life Safety Code. In an emergency exit situation, failure to quickly unlock the inside knob could be hazardous or even fatal.

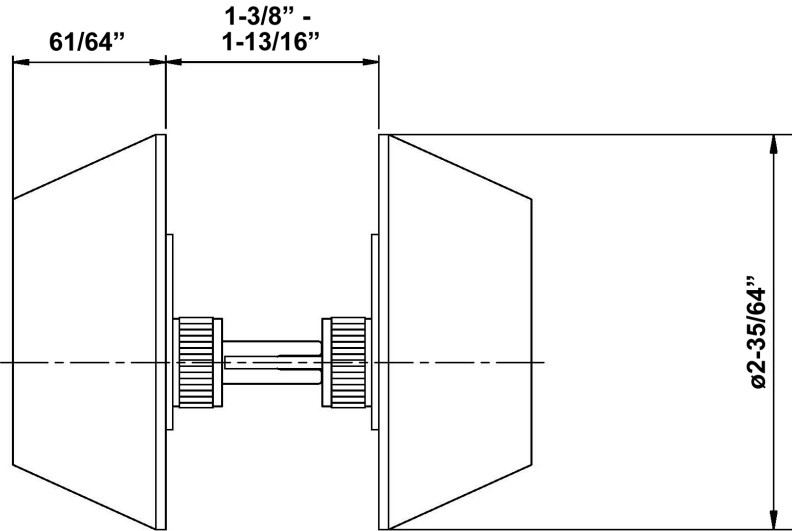
Grade 3 Deadbolts, 20R Series

Dimensions

20R-Series



25R-Series



Grade 3 Deadbolts, 20R Series

Parts and Accessories



9075N

- Drive-in Replacement Bolt
- Adjustable 2 $\frac{3}{8}$ " - 2 $\frac{3}{4}$ "
- Barrel: $\frac{7}{8}$ "

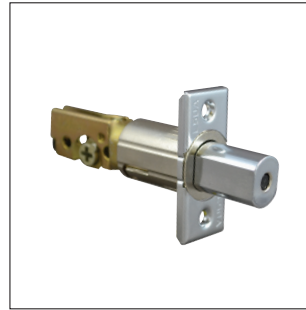
Mfr.#	EZ#
9075N32D	075407



9026N

- Drive-in Replacement Bolt
- Adjustable 2 $\frac{3}{8}$ " - 2 $\frac{3}{4}$ "
- Barrel: 1"

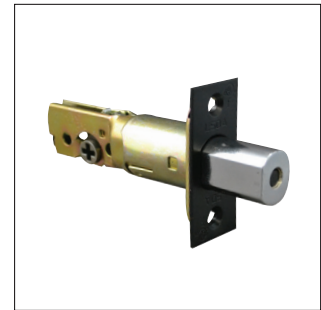
Mfr.#	EZ#
9026N	081030



9098N

- 4-Way Bolt
- Adjustable 2 $\frac{3}{8}$ " - 2 $\frac{3}{4}$ "
- Finishes: US32D, US5, US3, US11P

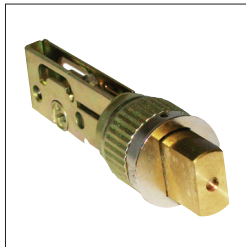
Mfr.#	EZ#
9098N32D	080758
9098N5	080757
9098N3	080756
9098N11P	109099



9060N

- Optional 3-Hour UL Listed Adjustable Bolt
- Finishes: US32D, US3, US11P

Mfr.#	EZ#
9060N32D	080755
9060N3	080753
9060N11P	109100



9092N

- Optional Round Face Bolt for Mobile Home

Mfr.#	EZ#
9092N	081018



9411N3

- 2" Screw Pack for Single Cylinder Deadbolt
- Finish: US3

Mfr.#	EZ#
9411N3	069268



220TDP

- 2 $\frac{1}{4}$ " Thick Door Package, Single Cylinder
- Finishes: Brass (BR), Chrome (CH)

Mfr.#	EZ#
220TDP BR	076438
220TDP CH	076439



225TDP

- 2 $\frac{1}{4}$ " Thick Door Package, Double Cylinder
- Finishes: Chrome (CH)

Mfr.#	EZ#
225TDP CH	076441



20CAPTOOL

- 2-in-1 (12 Teeth & 14 Teeth) Cap Tool

Mfr.#	EZ#
20CAPTOOL	106804

Grade 3 Deadbolts, 20R Series

Finishes

US3 / 505 / 605
Bright Brass



US5 / 609
Antique Brass



US15 / 619
Satin Nickel



US15A / 620
Antique Nickel



US11P / 616E
Venetian Bronze



US19 / BLK / 622
Matte Black Coated



US32D / 630
Satin Stainless Steel

