

Grade 3 Deadbolts 20R Series



Overview

The removable cylinder deadbolt locks (20R-Series) offer a flexible removable cylinder option which is compatible with the LSDA C500 cylinders, and many other cylinders including high security cylinders. The locks are easy to rekey, making them an excellent choice for add-ons and retrofits. These locks are recommended for use on exterior and interior doors.

Compliance

- Meets ANSI/BHMA 156.2 Series 4000, Grade 3
- Latch is UL Listed (USA and Canada) for 3-hour fire doors, available where indicated

Applications

- Offices
- Commercial Property
- Residences
- Multi-Family Buildings
- Industrial Sites
- Public Buildings.



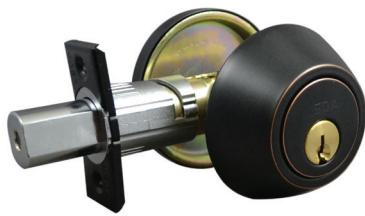
R15852

Grade 3 Deadbolts, 20R Series

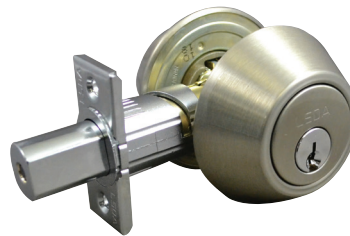
Standard Features:

Bolt	Adjustable 2 $\frac{3}{4}$ " - 2 $\frac{3}{8}$ " Backset, 3-Hour UL listed with 1" x 2 $\frac{1}{4}$ " Faceplate; or 4-Way Bolt
Handing	Non-Handed
Materials	Stainless Steel, Zinc, Steel, and brass cylinder plug
Strike	1 $\frac{1}{8}$ " x 2 $\frac{3}{4}$ "
Door Prep	1 $\frac{1}{2}$ " or 2 $\frac{1}{8}$ " diameter bore, 1" crossbore
Door Thickness	1 $\frac{3}{8}$ " - 1 $\frac{3}{4}$ "
Keying	Removable KW1, WR5, or SC4 keyway Rekeyable 6-pin (keyed 5-pin), Keyed Alike (KA4) in four Compatible with LSDA C500 cylinders and many other retrofit cylinders including many high-security brands such as Ilco 7065, Assa 65611, Medeco 20W0901, and Schlage 20-724C.

Designs

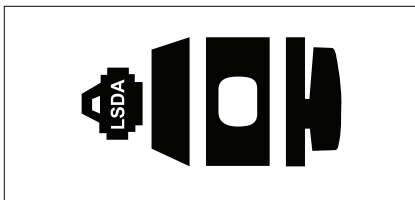


Single Cylinder (260)
Shown in 11P Finish



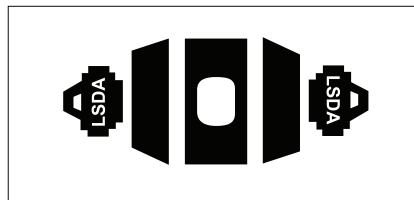
Double Cylinder (265)
Shown in 15 Finish

Functions



Single Cylinder

Single Cylinder, locked or unlocked by a thumbturn inside and a key outside



Double Cylinder

Double Cylinder, locked and unlocked by a key inside and outside

** Deadbolts that secure both sides of the door are controlled by building codes and the Life Safety Code. In an emergency exit situation, failure to quickly unlock the inside knob could be hazardous or even fatal.*

Grade 3 Deadbolts, 20R Series

How to Order

Single Cylinder Deadbolts

Mfr.#	Desc.	EZ#
20R11P W ADJ UL KA4	Adj. Bolt, WR5	183020
20R15A W ADJ UL KA4	Adj. Bolt, WR5	183022
20R15W ADJ UL KA4	Adj. Bolt, WR5	183021
20R19W ADJ UL KA4	Adj. Bolt, WR5	181681
20R26D S ADJ UL KA4	Adj. Bolt, SC1	184072
20R32D S ADJ DI KA4	Adj. Bolt, SC1	108338
20R32D S ADJ UL KA4	Adj. Bolt, SC1	086309
20R32D W ADJ DI KA4	Adj. Drive In Bolt, WR5	108339
20R32D W ADJ UL KA4	Adj. Bolt, WR5	086310
20R3S ADJ DI KA4	Adj. Drive In Bolt, SC1	108336
20R3S ADJ UL KA4	Adj. Bolt, SC1	086306
20R3W ADJ DI KA4	Adj. Drive In Bolt, WR5	108337
20R3W ADJ UL KA4	Adj. Bolt, WR5	086307
20R5W ADJ UL KA4	Adj. Bolt, WR5	183023

Double Cylinder Deadbolts*

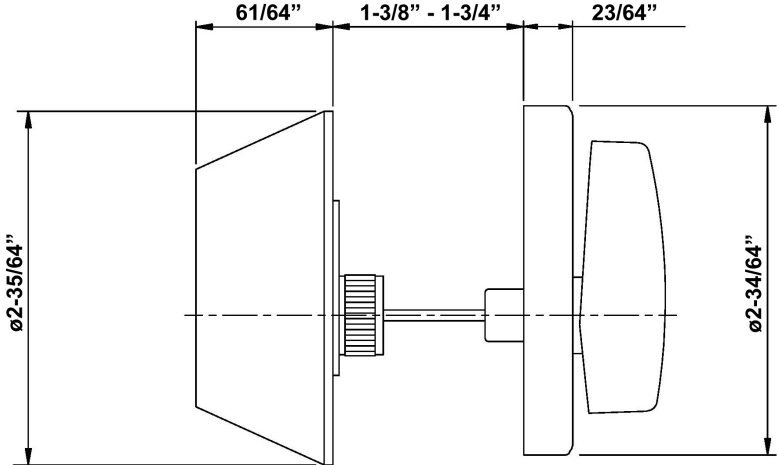
Mfr.#	Desc.	EZ#
25R11P W ADJ UL KA4	Adj. Bolt, WR5	183024
25R15W ADJ UL KA4	Adj. Bolt, WR5	183025
25R19W ADJ UL KA4	Adj. Bolt, WR5	181682
25R32D S ADJ UL KA4	Adj. Bolt, SC1	086315
25R32D W ADJ UL KA4	Adj. Bolt, WR5	086316
25R3S ADJ UL KA4	Adj. Bolt, SC1	086312
25R3W ADJ UL KA4	Adj. Bolt, WR5	086313

* Deadbolts that secure both sides of the door are controlled by building codes and the Life Safety Code. In an emergency exit situation, failure to quickly unlock the inside knob could be hazardous or even fatal.

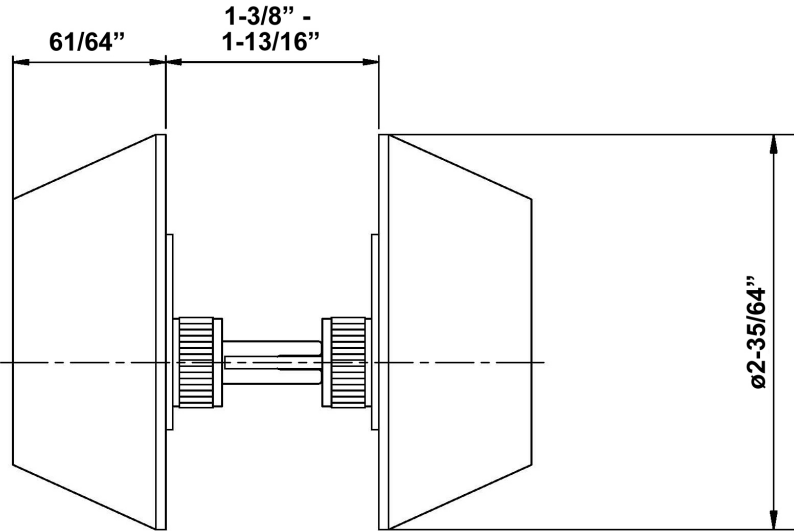
Grade 3 Deadbolts, 20R Series

Dimensions

20R-Series



25R-Series



Grade 3 Deadbolts, 20R Series

Parts and Accessories



9026N

- Drive-in Replacement Bolt
- Adjustable 2 $\frac{3}{8}$ " - 2 $\frac{3}{4}$ "
- Barrel: 1"

Mfr.#	EZ#
9026N	081030



20CAPTOOL

- 2-in-1 (12 Teeth & 14 Teeth)
Cap Tool

Mfr.#	EZ#
20CAPTOOL	106804



220TDP

- 2 $\frac{1}{4}$ " Thick Door Package,
Single Cylinder
- Finishes: Brass (BR), Chrome
(CH)

Mfr.#	EZ#
220TDP BR	076438
220TDP CH	076439



225TDP

- 2 $\frac{1}{4}$ " Thick Door Package,
Double Cylinder
- Finishes: Brass (BR), Chrome
(CH)

Mfr.#	EZ#
225TDP BR	076440
225TDP CH	076441

Grade 3 Deadbolts, 20R Series

Finishes

US3 / 505 / 605
Bright Brass



US5 / 609
Antique Brass



US15 / 619
Satin Nickel



US15A / 620
Antique Nickel



US11P / 616E
Venetian Bronze



US19 / BLK / 622
Matte Black Coated



US32D / 630
Satin Stainless Steel

