

# Grade 3 Deadbolts 75 Series



## Overview

75-Series deadbolt locks come with the popular KW1 keyway and are available in three finishes. These locks are recommended for use on exterior and interior doors.

## Compliance

- Meets ANSI/BHMA 156.2 Series 4000, Grade 3

## Applications

- Houses
- Apartments



# Grade 3 Deadbolts, 75 Series

## Standard Features:

<b>Bolt</b>	Adjustable (2 $\frac{3}{8}$ " to 2 $\frac{3}{4}$ ") backset Full 1" bolt projection. Drive-In latches are available.
<b>Handing</b>	Non-Handed
<b>Materials</b>	Zinc, Brass, Stainless Steel, Steel
<b>Strike</b>	Two options sold with the lock: 2 $\frac{1}{4}$ " x 1" Radius Corner (RCL) or 2 $\frac{1}{4}$ " x 1" Square Corner
<b>Door Prep</b>	1 $\frac{1}{2}$ " or 2 $\frac{1}{8}$ " diameter bore, 1" crossbore
<b>Door Thickness</b>	1 $\frac{3}{8}$ " - 1 $\frac{3}{4}$ "
<b>Keying</b>	KW1 rekeyable, 5-pin cylinder; Keyed Alike (KA4) in four

# Grade 3 Deadbolts, 75 Series

## Designs

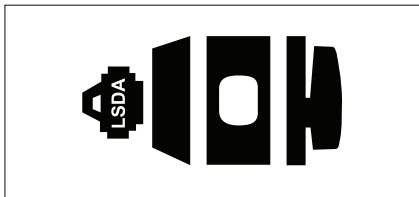


Single Cylinder (75)  
Shown in 3 Finish with Radius Corner



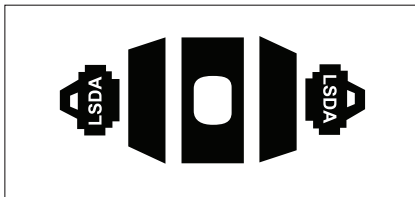
Double Cylinder (78)  
Shown in 5 Finish with Square Corner

## Functions



### Single Cylinder

Single Cylinder, locked or unlocked by a thumbturn inside and a key outside



### Double Cylinder\*

Double Cylinder, locked and unlocked by a key inside and outside

*\* Deadbolts that secure both sides of the door are controlled by building codes and the Life Safety Code. In an emergency exit situation, failure to quickly unlock the inside knob could be hazardous or even fatal.*

# Grade 3 Deadbolts, 75 Series

## How to Order

### Single Cylinder Deadbolts

Mfr.#	Desc.	Keyway	EZ#
<b>75 3KA4</b>	2-Way Adj Bolt	KW1	<b>075374</b>
<b>75 3RCL KA4</b>	2-Way Adj Bolt	KW1	<b>075375</b>
<b>75 5KA4</b>	2-Way Adj Bolt	KW1	<b>075376</b>
<b>75 5RCL KA4</b>	2-Way Adj Bolt	KW1	<b>075377</b>
<b>75 32D RCL</b>	2-Way Adj Bolt	KW1	<b>076564</b>

### Double Cylinder Deadbolts\*

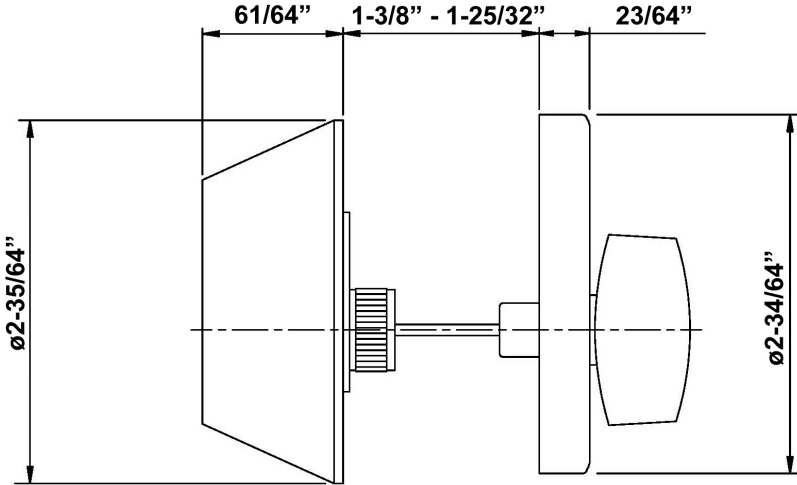
Mfr.#	Desc.	Keyway	EZ#
<b>78 3KA4</b>	2-Way Adj Bolt	KW1	<b>075378</b>
<b>78 32D RCL</b>	2-Way Adj Bolt	KW1	<b>076565</b>
<b>78 3RCL KA4</b>	2-Way Adj Bolt	KW1	<b>075379</b>
<b>78 5KA4</b>	2-Way Adj Bolt	KW1	<b>075380</b>
<b>78 5RCL KA4</b>	2-Way Adj Bolt	KW1	<b>075381</b>

\* Deadbolts that secure both sides of the door are controlled by building codes and the Life Safety Code. In an emergency exit situation, failure to quickly unlock the inside knob could be hazardous or even fatal.

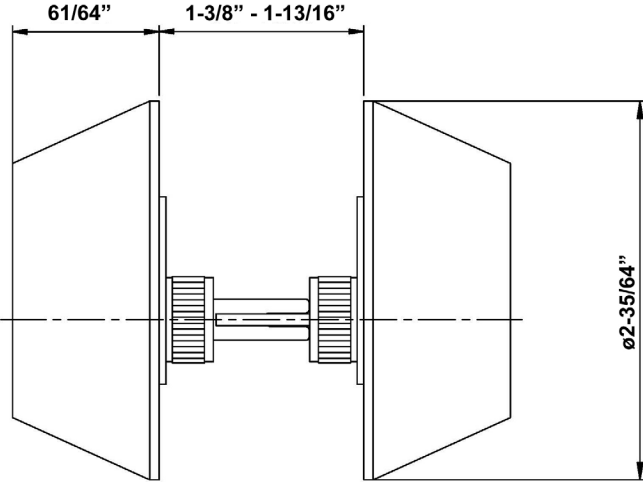
# Grade 3 Deadbolts, 75 Series

## Dimensions

### 75-Series



### 78-Series



# Grade 3 Deadbolts, 75 Series

## Parts and Accessories



### 9075N

- Drive-in Replacement Bolt
- Adjustable 2 $\frac{3}{8}$ " - 2 $\frac{3}{4}$ "
- Barrel:  $\frac{7}{8}$ "

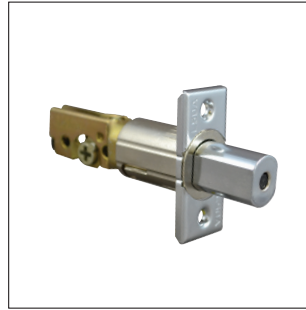
Mfr.#	EZ#
9075N32D	075407



### 9026N

- Drive-in Replacement Bolt
- Adjustable 2 $\frac{3}{8}$ " - 2 $\frac{3}{4}$ "
- Barrel: 1"

Mfr.#	EZ#
9026N	081030



### 9098N

- 4-Way Bolt
- Adjustable 2 $\frac{3}{8}$ " - 2 $\frac{3}{4}$ "
- Finishes: US32D, US5, US3, US11P

Mfr.#	EZ#
9098N32D	080758
9098N5	080757
9098N3	080756
9098N11P	109099

## Finishes

