

Grade 3 Deadbolts D600 Series



Overview

The LSDA D610 and D620 are deadbolt locks in a classic design that is extremely versatile. These locks can be installed on doors with 1½" or 2¼" holes. They come with a narrow diameter adjustable deadbolt. A rugged gate latch can be purchased separately. Popular SC1 keyway is standard, but replacement cylinders in many keyways can be substituted, using the C500 Cylinders.

Compliance

- Complies with ANSI/BHMA 156.2 Series 4000, Grade 3

Applications

- Gates
- Doors that are wood or hollow metal



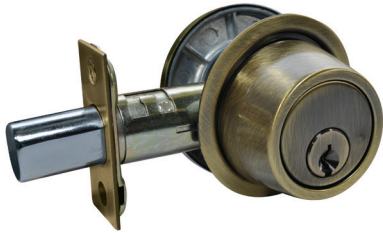
Grade 3 Deadbolts, D600 Series

Standard Features:

Bolt	Adjustable (2 ³ / ₈ " to 2 ³ / ₄ ") backset with full 1" bolt projection sold with the lock. Optional gate latch available with 2 ³ / ₈ " to 2 ³ / ₄ " backset with a 1" prep.
Handing	Non-Handed
Materials	Exposed parts are stainless steel, zinc alloy or brass
Strike	2 ³ / ₄ " x 1 ¹ / ₈ "
Door Prep	1 ¹ / ₂ " or 2 ¹ / ₈ " Diameter bore x 7/8" to 1" crossbore for deadbolt (1" required for optional gate latch)
Door Thickness	1 ³ / ₈ " - 1 ³ / ₄ "
Keying	Available in SC1, keyed 5-pin, rekeyable 6-pin Compatible with LSDA C500 replacement cylinders and many other retrofit cylinders, including most high security brands

Grade 3 Deadbolts, D600 Series

Designs

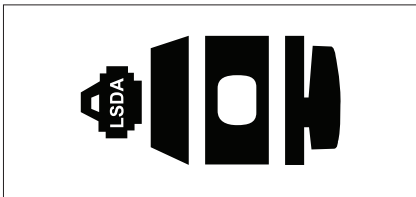


Single Cylinder (D610)
Shown in 5 Finish
Shown with optional trim ring



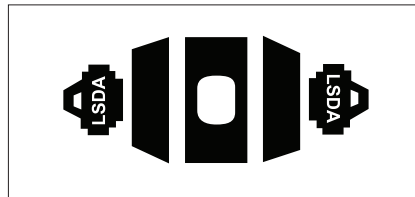
Double Cylinder (D620)
Shown in 3 Finish
Shown without optional trim ring

Functions



Single Cylinder

Locked or unlocked by a thumbturn inside and a key outside



Double Cylinder*

Locked and unlocked by a key inside and outside

** Deadbolts that secure both sides of the door are controlled by building codes and the Life Safety Code. In an emergency exit situation, failure to quickly unlock the inside knob could be hazardous or even fatal.*

Grade 3 Deadbolts, D600 Series

How to Order

Single Cylinder Deadbolts

Mfr.#	Desc.	EZ#
D610S3	SC1 Kwy, Sold with Bolt	106238
D610S5	SC1 Kwy, Sold with Bolt	108529
D610S32D	SC1 Kwy, Sold with Bolt	106240
D610S10B	SC1 Kwy, Sold with Bolt	106239

Double Cylinder Deadbolts*

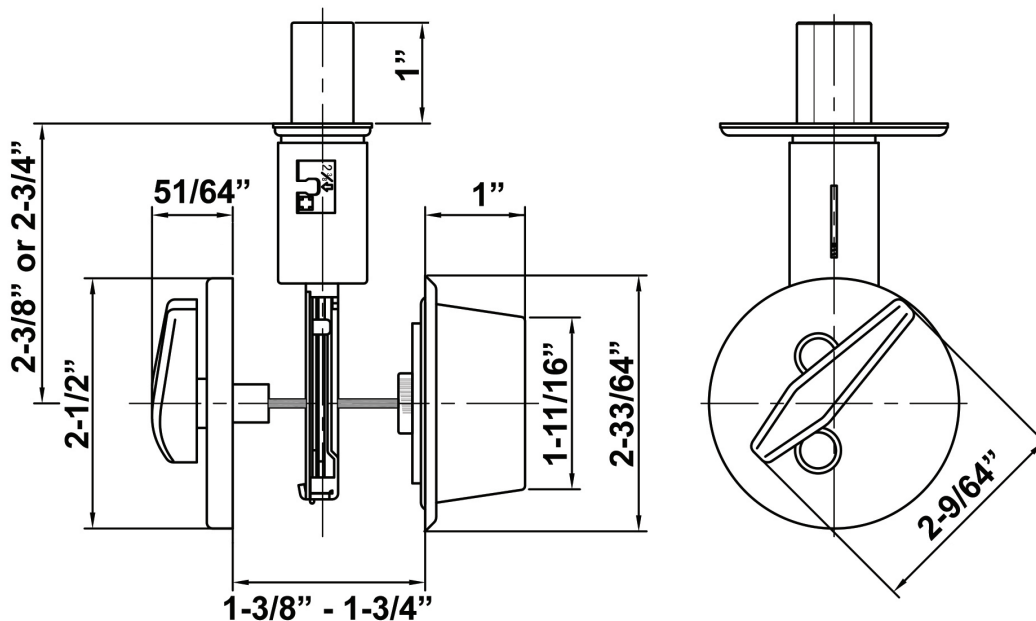
Mfr.#	Desc.	EZ#
D620S32D	SC1 Kwy, Sold with Bolt	106243
D620S3	SC1 Kwy, Sold with Bolt	106241
D620S10B	SC1 Kwy, Sold with Bolt	106242

* Deadbolts that secure both sides of the door are controlled by building codes and the Life Safety Code. In an emergency exit situation, failure to quickly unlock the inside knob could be hazardous or even fatal.

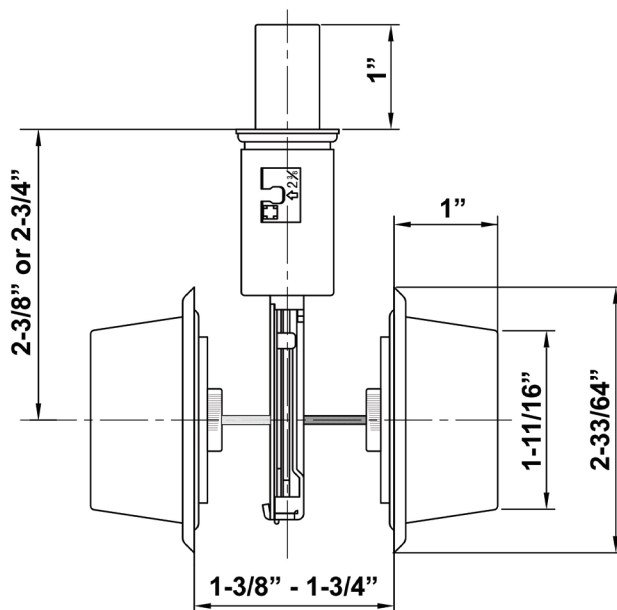
Grade 3 Deadbolts, D600 Series

Dimensions

D610-Series

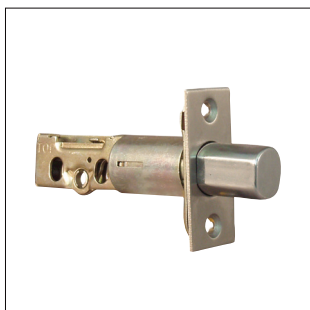


D620-Series



Grade 3 Deadbolts, D600 Series

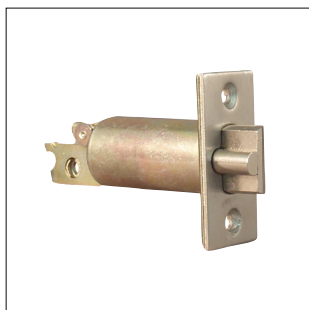
Parts and Accessories



DBLT610

- Adjustable Square Bolt 2 $\frac{3}{8}$ " - 2 $\frac{3}{4}$ "
- Finishes: US3, US10B, US32D

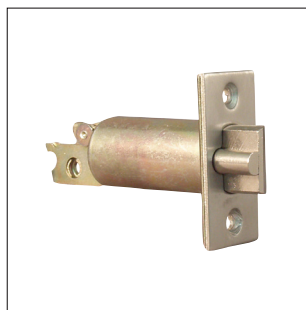
Mfr.#	EZ#
DBLT610 3	102364
DBLT610 32D	101645
DBLT610 10B	101646



GLATCH234

- Gate Latch
- Fixed Backset 2 $\frac{3}{4}$ "
- 2 $\frac{1}{4}$ " x 1 $\frac{1}{8}$ " Face Plate
- $\frac{9}{16}$ " Throw
- Finishes: US3, US10B, US32D

Mfr.#	EZ#
GLATCH234 32D	101642
GLATCH234 3	102365
GLATCH234 10B	101643



GLATCH238

- Gate Latch
- Fixed Backset 2 $\frac{3}{8}$ "
- 2 $\frac{1}{4}$ " x 1 $\frac{1}{8}$ " Face Plate
- $\frac{9}{16}$ " Throw
- Finishes: US3, US10B, US32D

Mfr.#	EZ#
GLATCH238 32D	101330
GLATCH238 10B	101644
GLATCH238 3	102366



TP610

- Tailpiece for Single Cylinder (D610)

Mfr.#	EZ#
TP610	101651



TP620

- Tailpiece for Double Cylinder (D620)

Mfr.#	EZ#
TP620	101652

Grade 3 Deadbolts, D600 Series

Finishes

US3 / 505 / 605
Bright Brass



US5 / 609
Antique Brass



10B / 613
Oil Rubbed Bronze



US32D / 630
Satin Stainless Steel

