

Grade 2 Lever Locks 800 Series



Overview

The 800 Series locks are designed for use in a variety of commercial applications. Equipped with a U.L. listed latchbolt, these locks can be used on 3-Hour fire doors. Built with independent return springs in each lever and with an optional clutch feature to protect against excessive torque, these levers resist sagging. The L-shaped lever design with less than 1/2" gap between the handle and the door meets most accessibility codes.

Compliance

- ANSI/BHMA 156.2 Series 4000, Grade 2
- Latch is UL Listed (USA and Canada) for 3-hour fire doors, included; UL10C /UBC 7-2 positive pressure
- ADA: The Americans With Disabilities Act (ADA) states that locks shall be operable with one hand and shall not require tight grasping, tight pinching or twisting of the wrist.

Applications

- Offices
- Commercial Properties
- Retail Spaces
- Multi-Family Buildings



R14024



Grade 2 Lever Locks, 800 Series

Standard Features:

Latch	2¾" Backset UL listed included; 2¾" Backset UL Listed available
Handing	Non-Handed
Materials	Zinc Alloy, Bronze, Brass or Stainless Steel
Strike	4⅞" x 1¼" ANSI
Door Prep	2⅛" diameter bore, 1" crossbore
Door Thickness	1⅜" - 2", Optional Thru Bolts
Rose Diameter	3⅜"
Keying	Cylinders: Equipped with SC4 rekeyable 6-pin brass cylinders, compatible with LSDA replacement C500 cylinders and many other retrofit cylinders including most high security brands. SFIC: Some models prepped for Small Format Interchangeable Core (SFIC), such as 6- or 7-Pin Best® style cores

Designs



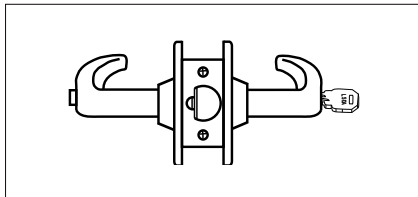
Vancouver (VA), Step Rose
Entrance Function
Shown in 26D Finish



Edmonton (ED), Flat Rose
Entrance Function
Shown in 26D Finish

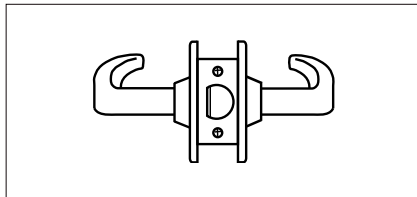
Grade 2 Lever Locks, 800 Series

Functions



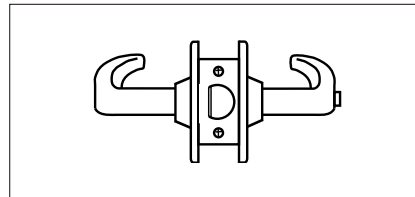
Entrance/Office

Pushing and turning inside button locks outside lever requiring use of key until button is manually unlocked. Pushing inside button locks outside lever until unlocked with a key or inside lever is turned. Inside lever always retracts latch. Available with or without Clutch.



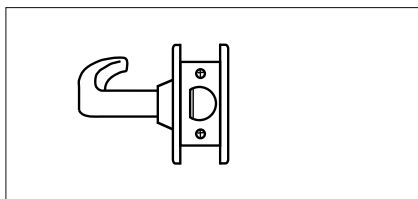
Passage

Both levers always retract the latch



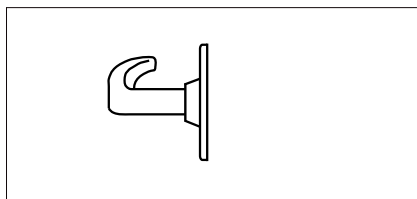
Privacy

Pushing inside button locks outside lever until inside lever is turned. Emergency tool can be used to unlock outside lever. Inside lever always retracts the latch.



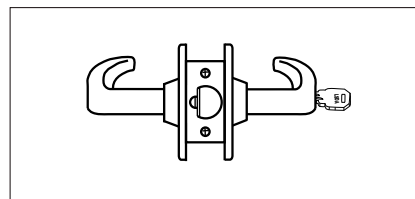
Exit

Blank plate outside, inside lever always free



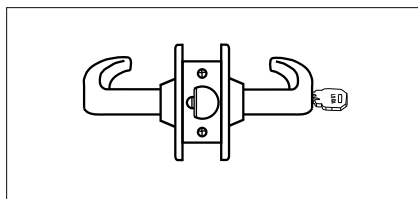
Dummy

Pull only, one side of door trim.



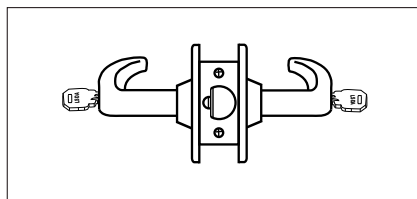
Storeroom

Outside lever never retracts the latch. Entrance by key only. Inside lever always retracts the latch. Available with or without Clutch.



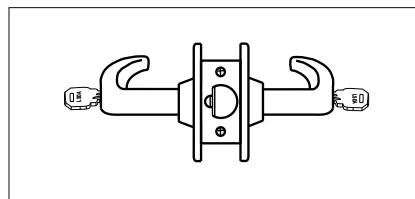
Classroom

Outside lever is locked and unlocked with a key in the outside cylinder. The inside lever always retracts the latch. Available with or without Clutch.



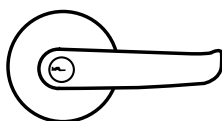
Communicating

Key in either lever locks or unlocks the lever.



Institutional

Neither lever/knob retracts the latch. A key is required in both the inside and outside cylinder to retract the latch. Available with or without Clutch.



Benefits of a Clutch Lever

Clutch mechanism, or "free-wheeling" design offers an advantage over rigid locked leversets by reducing the torque applied to the outside lever

Grade 2 Lever Locks, 800 Series

How to Order

Entrance/Office

Vancouver Design

Mfr.#	Keyway	Latch	EZ#
800VA26D SC4 2-3/4UL	SC4	2¾" UL	103427
800VA26D IC2-3/4UL	SFIC, L/Cyl.	2¾" UL	108285

Edmonton Design

Mfr.#	Keyway	Latch	EZ#
800ED10BE SC2-3/4UL	SC4	2¾" UL	181300
800ED26D SC2-3/4UL	SC4	2¾" UL	181301
800ED26D IC2-3/4UL	SFIC, L/Cyl.	2¾" UL	105664

Entrance/Office with Clutch

Vancouver Design

Mfr.#	Keyway	Latch	EZ#
C800VA26D IC2-3/4UL	SFIC, L/Cyl.	2¾" UL	103428
C800VA26D SC4 2-3/4UL	SC4	2¾" UL	105661
C800VA26D LC2-3/4UL	L/Cyl.	2¾" UL	105659

Edmonton Design

Mfr.#	Keyway	Latch	EZ#
C800ED26D IC2-3/4UL	SFIC, L/Cyl.	2¾" UL	181311
C800ED26D SC4 2-3/4UL	SC4	2¾" UL	105660
C800ED10BE SC2-3/4UL	SC4	2¾" UL	181310

Passage

Vancouver Design

Mfr.#	Latch	EZ#
810VA26D2-3/4UL	2¾" UL	103429

Edmonton Design

Mfr.#	Latch	EZ#
810ED26D2-3/4UL	2¾" UL	105665
810ED10BE2-3/4UL	2¾" UL	181302

Privacy

Vancouver Design

Mfr.#	Latch	EZ#
820VA26D2-3/4UL	2¾" UL	103430

Edmonton Design

Mfr.#	Latch	EZ#
820ED26D2-3/4UL	2¾" UL	105667
820ED10BE2-3/4UL	2¾" UL	181303

Exit

Vancouver Design

Mfr.#	Latch	EZ#
830VA26D2-3/4UL	2¾" UL	105669

Storeroom

Vancouver Design

Mfr.#	Keyway	Latch	EZ#
840VA26D IC2-3/4UL	SFIC, L/Cyl.	2¾" UL	108288
840VA26D SC 2-3/4UL	SC4	2¾" UL	103431

Edmonton Design

Mfr.#	Keyway	Latch	EZ#
840ED26D IC2-3/4UL	SFIC, L/Cyl.	2¾" UL	105674
840ED10BE SC2-3/4UL	SC4	2¾" UL	181304
840ED26D SC2-3/4UL	SC4	2¾" UL	181305

Continued on the Next Page

Grade 2 Lever Locks, 800 Series

How to Order (Cont'd)

Storeroom with Clutch

Vancouver Design

Mfr.#	Keyway	Latch	EZ#
C840VA26D IC2-3/4UL	SFIC, L/Cyl.	2¾" UL	103432

Edmonton Design

Mfr.#	Keyway	Latch	EZ#
C840ED26D IC2-3/4UL	SFIC, L/Cyl.	2¾" UL	181313
C840ED26DSC4 2-3/4UL	SC4	2¾" UL	105671
C840ED10BE SC2-3/4UL	SC4	2¾" UL	181312

Classroom

Vancouver Design

Mfr.#	Keyway	Latch	EZ#
850VA26D IC2-3/4UL	SFIC,L/Cyl.	2¾" UL	103434
850VA26D SC4 2-3/4UL	SC4	2¾" UL	103433

Edmonton Design

Mfr.#	Keyway	Latch	EZ#
850ED26D IC2-3/4UL	SFIC, L/Cyl.	2¾" UL	181307
850ED10BE SC2-3/4UL	SC4	2¾" UL	181306
850ED26D SC2-3/4UL	SC4	2¾" UL	181308

Classroom with Clutch

Edmonton Design

Mfr.#	Keyway	Latch	EZ#
C850ED26D SC4 2-3/4UL	SC4	2¾" UL	105676

Communicating

Edmonton Design

Mfr.#	Keyway	Latch	EZ#
870ED26D SC4 2-3/4UL	SC4	2¾" UL	181425

Institutional

Vancouver Design

Mfr.#	Keyway	Latch	EZ#
890VA26D SC4 2-3/4UL	SC4	2¾" UL	105678

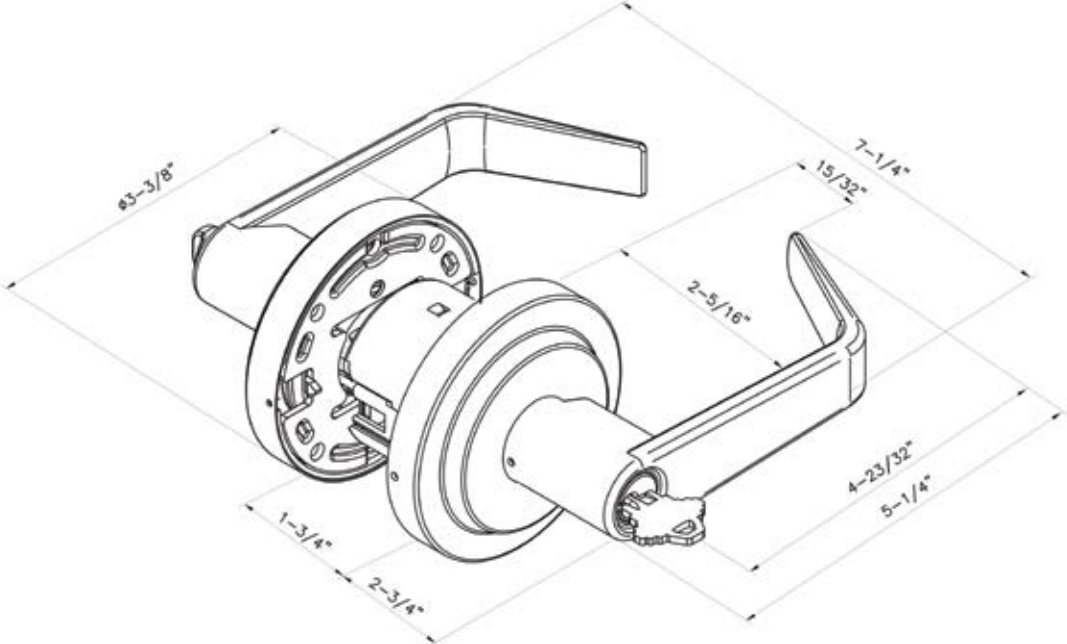
Edmonton Design

Mfr.#	Keyway	Latch	EZ#
890ED26D SC4 2-3/4UL	SC4	2¾" UL	181426

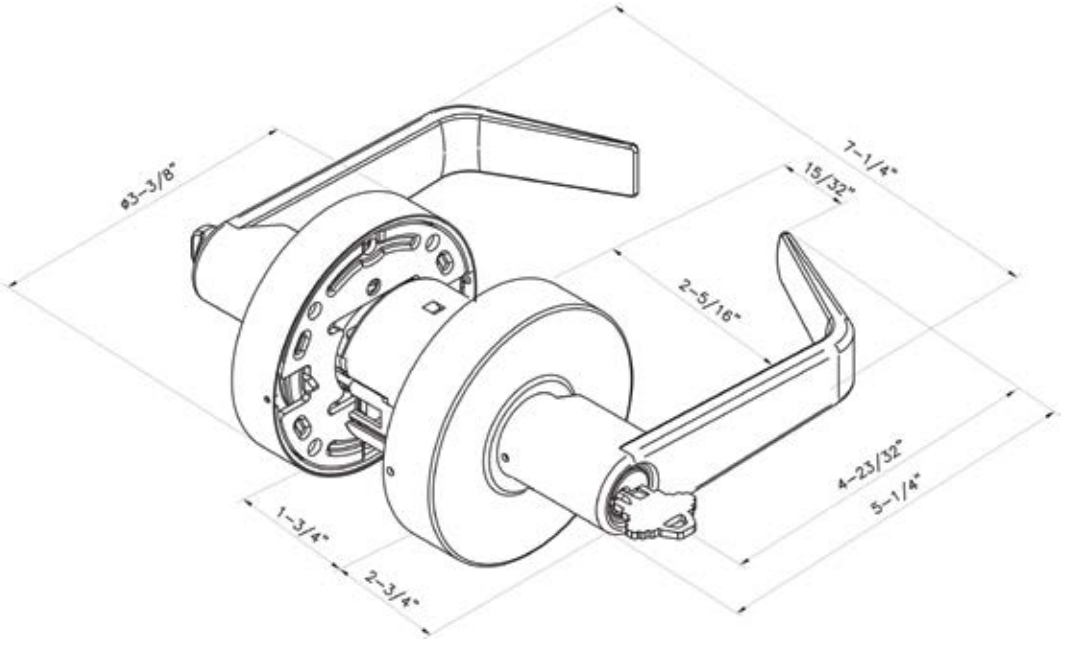
Grade 2 Lever Locks, 800 Series

Dimensions

Vancouver (VA)



Edmonton (ED)



Grade 2 Lever Locks, 800 Series

Parts and Accessories



L105

- Drive-In Latch
- 2¾" Backset
- With Round Face Latch
- Finishes: US3, US32D

Mfr.#	EZ#
105 32D	009744
L105 32D	009334
L105 3	027982



104 / L104

- Drive-In Latch
- 2¾" Backset
- With Round Face Latch (L104)
- Finishes: US3, US32D

Mfr.#	EZ#
104 32D	009741
L104 32D	009333
L104 3 [LSDA]	027981



L074DL

- Deadlatch, 2¾" Backset with 1½" x 2¼" Faceplate
- UL Listed (Where Indicated)
- Finish: US3, US10BE, US26D

Mfr.#	EZ#
L074DL26D	181594
L074DL UL10BE	184232
L074DL UL26D	184239
L074DL UL3	184231



L074SL

- Springlatch, 2¾" Backset with 1½" x 2¼" Faceplate
- UL Listed (Where Indicated)
- Finish: US32D

Mfr.#	EZ#
L074SL32D	181595
L074SL UL10BE	184230
L074SL UL26D	184238
L074SL UL3	184229



L085

- Deadlatches, 2¾" Backset, 1" x 2¼" Faceplate
- UL Listed (Where Indicated)
- Round Corner Faceplate (RC, where indicated)
- Finishes: US3, US5A, 10BE, US19, US26D, US32D, US19

Mfr.#	EZ#
L085 10BE	041288
L085 3	009293
L085 32D	009295
L085 5A	009296
L085 19	184421
L085UL10BE	005569
L085UL26D	005570
L085UL3	005571



L096

- Deadlatches, 2¾" Backset, 1½" x 2¼" Faceplate
- UL Listed (Where Indicated)
- Finishes: US3, US5A, US10, US10BE, US19, US26D, US32D

Mfr.#	EZ#
L096 10	100501
L096 10BE	028532
L096 19	184422
L096 3	009300
L096 32D	009302
L096 5A	009303
L096UL10BE	005572
L096UL19	184785
L096UL3	005574
L096UL26D	005573



L005

- Springlatches, 2¾" Backset, 1" x 2¼" Faceplate
- UL Listed (Where Indicated)
- Round Corner Faceplate (RC, where indicated)
- Finishes: US3, US5A, US10BE, US26D, US32D, US19

Mfr.#	EZ#
L005 10BE	041286
L005 19	184784
L005 3	009279
L005 32D	009281
L005 5A	009282
L005UL3	086726
L005UL26D	086727



L014

- Springlatches, 2¾" Backset, 1½" x 2¼" Faceplate
- UL Listed (Where Indicated)
- Finishes: US3, US5A, US10BE, US32D, US19

Mfr.#	EZ#
L014 10BE	005566
L014 3	009283
L014 32D	009285
L014 5A	009286
L014 19	184783
L014UL32D	083877

Grade 2 Lever Locks, 800 Series

Parts and Accessories



L085R / L095R

- Deadlatch with 1" Round Corner Latch
- 2 3/4" Backset (L095R) or 2 3/8" Backset (L085R)
- Finishes: US32D

Mfr.#	EZ#
L095RC32D	187107
L085RC32D	187106



L005R / L015R

- Springlatch with 1" Round Corner Latch
- 2 3/4" Backset (L015R) or 2 3/8" Backset (L005R)
- Finishes: US32D

Mfr.#	EZ#
L015RC32D	187105
L005RC32D	187104



TPSFIC6

- IC Tailpiece
- 6-Pin

Mfr.#	EZ#
TPSFIC6	061315



TPSFIC7

- IC Tailpiece
- 7-Pin

Mfr.#	EZ#
TPSFIC7	061316



ASA

- ASA Strike
- Finish US26D

Mfr.#	EZ#
TPLVR	009259



T STRIKE

- Strike
- Finishes: US3, US32D

Mfr.#	EZ#
T STRIKE32D	066996
T STRIKE3	066995



CYL

- Key-in-Knob (KIK) Cylinder
- Drilled 6-Pin, Pinned 5-Pin
- Keyway: SC1 (C), AR1 (A)
- Finishes: US3, US4, US26D, US32D
- Keyed Alike: Keyed Different (KD), Keyed Alike in Fours (KA4) where indicated, or individually if not indicated

Mfr.#	EZ#
CYL C26D KD	009051
CYL C4KD	009050
CYL C4KA4	180715
CYL C26D KA4	180714
CYL A26D KD	005564
CYL A4KD	009054



TPLVR

- Regular Cylinder Tailpiece

Mfr.#	EZ#
TPLVR	009259



EL5

- 5" extension link for 2 3/4" latch

Mfr.#	EZ#
EL5	028533

Grade 2 Lever Locks, 800 Series

Finishes

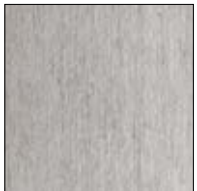
US3 / 505 / 605
Bright Brass



10BE / 613E
Dark Oxidized
Satin Bronze



US26D / 626
Satin Chrome



US19 / BLK / 622
Matte Black Coated

