

# Grade 3 Lever Locks 50 Series



## Overview

The 50-Series levers are residential grade tubular locks in a variety of attractive styles. Available in several finishes, they can be used in various residential and light commercial applications. These locks are recommended for use on exterior and interior doors.

## Compliance

- Meets ANSI/BHMA 156.2 Series 4000, Grade 3
- ADA: The Americans With Disabilities Act (ADA) states that locks shall be operable with one hand and shall not require tight grasping, tight pinching or twisting of the wrist.

## Applications

- Houses
- Apartments
- Offices
- Condominiums



# Grade 3 Lever Locks, 50 Series

**Standard Features:**

<b>Latch</b>	2 <sup>3</sup> / <sub>8</sub> " and 2 <sup>3</sup> / <sub>4</sub> " Backset , 45° lever travel
<b>Handing</b>	Field Reversible, unless indicated
<b>Materials</b>	Zinc Die Cast, Brass, Steel
<b>Strike</b>	2 <sup>1</sup> / <sub>4</sub> " full lip
<b>Door Prep</b>	2 <sup>1</sup> / <sub>8</sub> " diameter bore, 1" crossbore; 2 <sup>1</sup> / <sub>4</sub> " x 1" latch face, concealed screws
<b>Door Thickness</b>	1 <sup>3</sup> / <sub>8</sub> " - 1 <sup>3</sup> / <sub>4</sub> " standard
<b>Rose Diameter</b>	2 <sup>19</sup> / <sub>32</sub> "
<b>Keying</b>	Available in KW1, WR3, or SC1; Rekeyable 5-pin; Keyed Alike (KA4) in four where indicated

# Grade 3 Lever Locks, 50 Series

## Designs



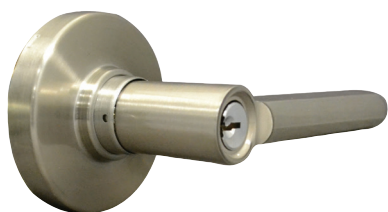
Lyon (LY)



LaSalle (LA)



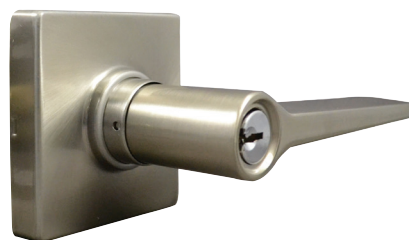
Lucerne (LU)



Berkeley (BE)

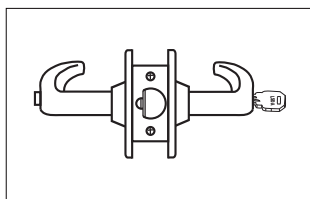


Tremblant (GT)



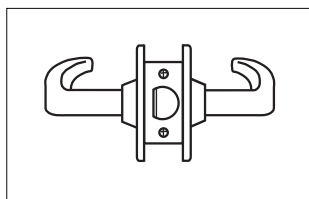
New England (NE)

## Functions



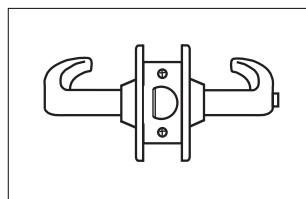
### Entry

Depressing the inside push-button locks both levers requiring use of key outside or operation of the inside lever to unlock the door.



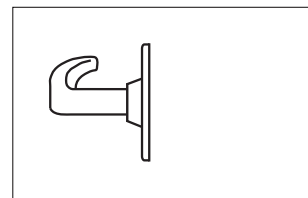
### Passage/Hall/Closet

Both levers always retract the latch.



### Privacy/Bed/Bath

Depressing the inside push-button locks both levers. Operation of the inside lever unlocks the door. Emergency tool can be used to unlock from the outside.



### Dummy

A single lever with no latch.

# Grade 3 Lever Locks, 50 Series

## How to Order

### Entrance

#### Lyon Design

Mfr.#	Design	Keyway	Desc.	EZ#
<b>50LY11P W KA4 4WAY</b>	Lyon	WR3	Vis-Pak 4-Way Latch	<b>104826</b>

#### Lucerne Design

Mfr.#	Design	Keyway	Desc.	EZ#
<b>50LU3W KA4</b>	Lucerne	WR3		<b>181612</b>
<b>50LU26D W KA4VP</b>	Lucerne	WR3	Vis-Pak 4-Way Latch	<b>079032</b>

#### LaSalle Design

Mfr.#	Design	Keyway	Desc.	EZ#
<b>50LA15A W4WAY</b>	LaSalle	WR3	4-Way Latch	<b>104831</b>
<b>50LA15W4WAY</b>	LaSalle	WR3	4-Way Latch	<b>104832</b>
<b>50LA3W4WAY</b>	LaSalle	WR3	4-Way Latch	<b>181614</b>

#### Tremblant Design

Mfr.#	Design	Keyway	Desc.	EZ#
<b>50GT19W4WAY</b>	Tremblant	WR3	4-Way Latch	<b>181657</b>

#### Berkeley Design

Mfr.#	Design	Keyway	Desc.	EZ#
<b>50BE15W4WAY</b>	Berkeley	WR3	4-Way Latch	<b>181675</b>

#### New England Design

Mfr.#	Design	Keyway	Desc.	EZ#
<b>50NE15W4WAY</b>	New England	WR3	4-Way Latch	<b>181669</b>
<b>50NE11P W4WAY</b>	New England	WR3	4-Way Latch	<b>181670</b>

### Passage

#### Lyon Design

Mfr.#	Design	Desc.	EZ#
<b>51LY11P4WAY</b>	Lyon	4-Way Latch	<b>104827</b>

#### Lucerne Design

Mfr.#	Design	Desc.	EZ#
<b>51LU26D VP</b>	Lucerne	Vis-Pak	<b>079035</b>
<b>51LU3VP</b>	Lucerne	Vis-Pak	<b>079036</b>

#### LaSalle Design

Mfr.#	Design	Desc.	EZ#
<b>51LA15 4WAY</b>	LaSalle	4-Way Latch	<b>104835</b>
<b>51LA15A4WAY</b>	LaSalle	4-Way Latch	<b>104834</b>
<b>51LA3 4WAY</b>	LaSalle	4-Way Latch	<b>181635</b>

#### Tremblant Design

Mfr.#	Design	Desc.	EZ#
<b>51GT19 4WAY</b>	Tremblant	4-Way Latch	<b>181660</b>

#### Berkeley Design

Mfr.#	Design	Desc.	EZ#
<b>51BE15 4WAY</b>	Berkeley	4-Way Latch	<b>181676</b>

#### New England Design

Mfr.#	Design	Desc.	EZ#
<b>51NE11P4WAY</b>	New England	4-Way Latch	<b>181672</b>
<b>51NE15 4WAY</b>	New England	4-Way Latch	<b>181671</b>

# Grade 3 Lever Locks, 50 Series

## How to Order (Cont'd)

### Privacy

#### Lyon Design

Mfr.#	Design	Desc.	EZ#
<b>52LY11P4WAY</b>	Lyon	4-Way Latch	<b>104829</b>

#### Lucerne Design

Mfr.#	Design	Desc.	EZ#
<b>52LU26D VP</b>	Lucerne	Vis-Pak	<b>079038</b>

#### LaSalle Design

Mfr.#	Design	Desc.	EZ#
<b>52LA3 4WAY</b>	LaSalle	4-Way Latch	<b>181616</b>
<b>52LA15 4WAY</b>	LaSalle	4-Way Latch	<b>104837</b>
<b>52LA15A4WAY</b>	LaSalle	4-Way Latch	<b>104838</b>

#### Tremblant Design

Mfr.#	Design	Desc.	EZ#
<b>52GT19 4WAY</b>	Tremblant	4-Way Latch	<b>181663</b>

#### Berkeley Design

Mfr.#	Design	Desc.	EZ#
<b>52BE15 4WAY</b>	Berkeley	4-Way Latch	<b>181677</b>

#### New England Design

Mfr.#	Design	Desc.	EZ#
<b>52NE15 4WAY</b>	New England	4-Way Latch	<b>181673</b>
<b>52NE11P4WAY</b>	New England	4-Way Latch	<b>181674</b>

### Dummy

#### Lucerne Design

Mfr.#	Design	Desc.	EZ#
<b>53LU26D</b>	Lucerne	Field Rev Handing	<b>085404</b>

#### LaSalle Design

Mfr.#	Design	Desc.	EZ#
<b>53LA15LH</b>	LaSalle	Left Handed	<b>090091</b>
<b>53LA15RH</b>	LaSalle	Right Handed	<b>090092</b>

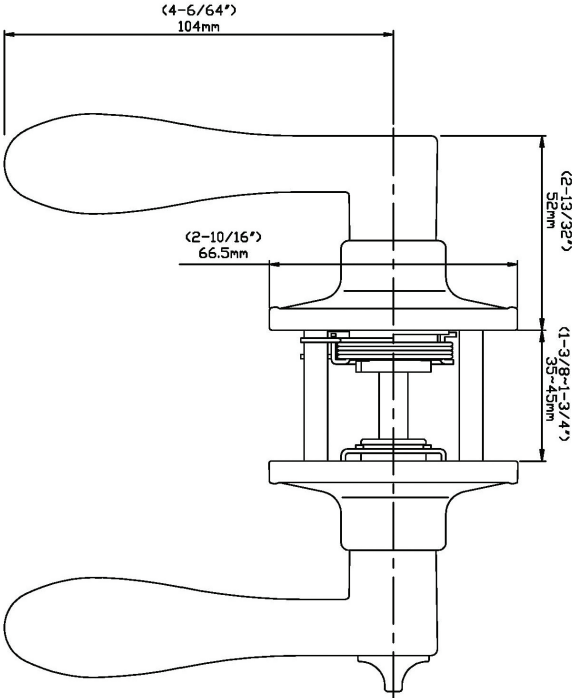
#### Berkeley Design

Mfr.#	Design	Desc.	EZ#
<b>53BE15</b>	Berkeley	Field Rev Handing	<b>186456</b>

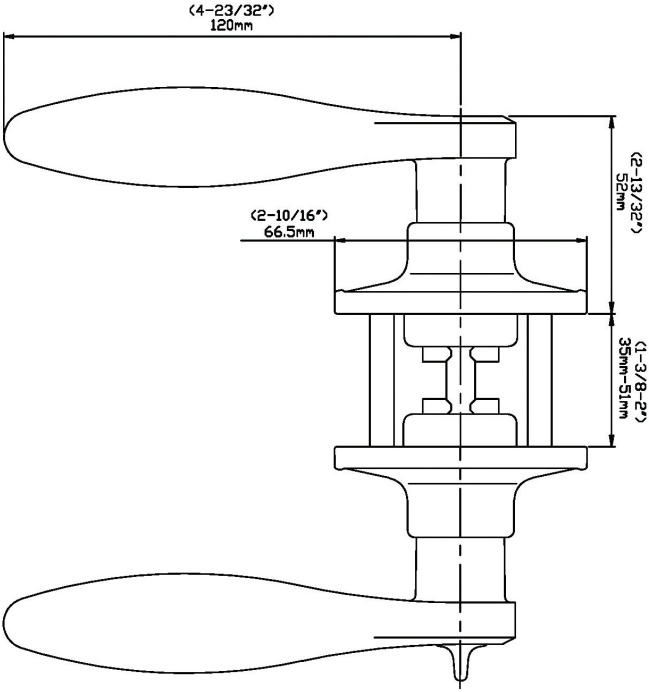
# Grade 3 Lever Locks, 50 Series

## Dimensions

Lyon (LY)



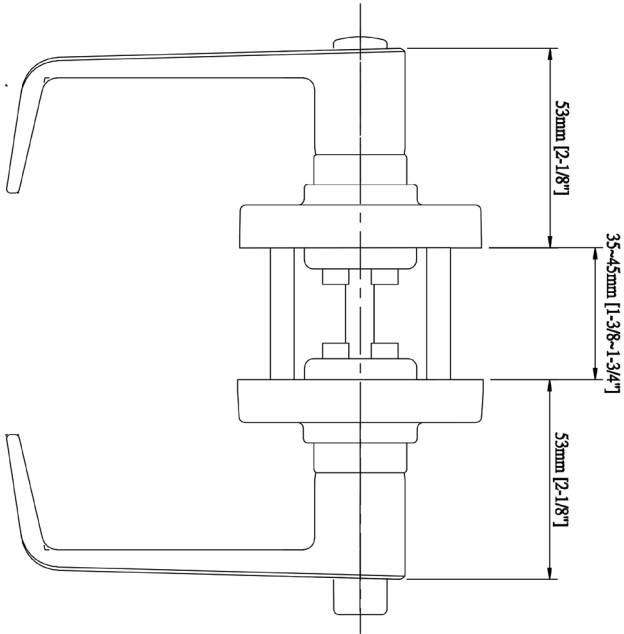
LaSalle (LA)



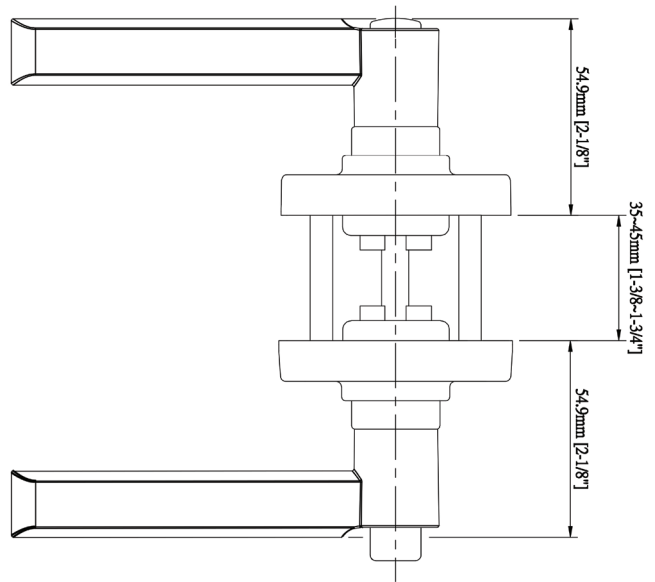
# Grade 3 Lever Locks, 50 Series

## Dimensions

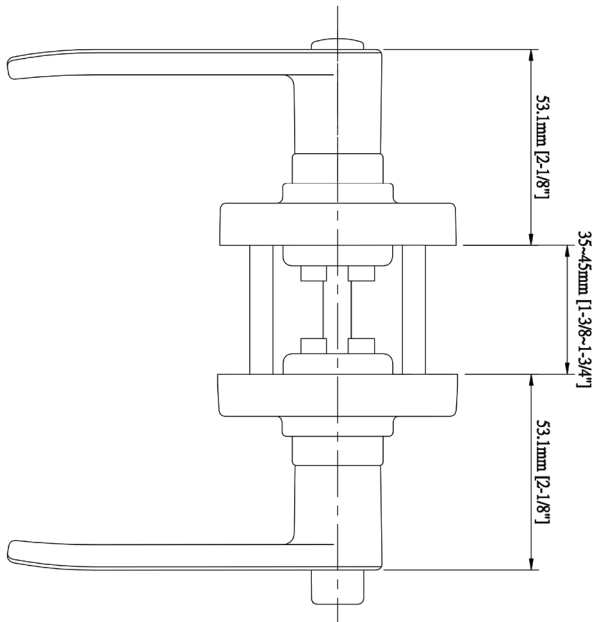
*Lucerne (LU)*



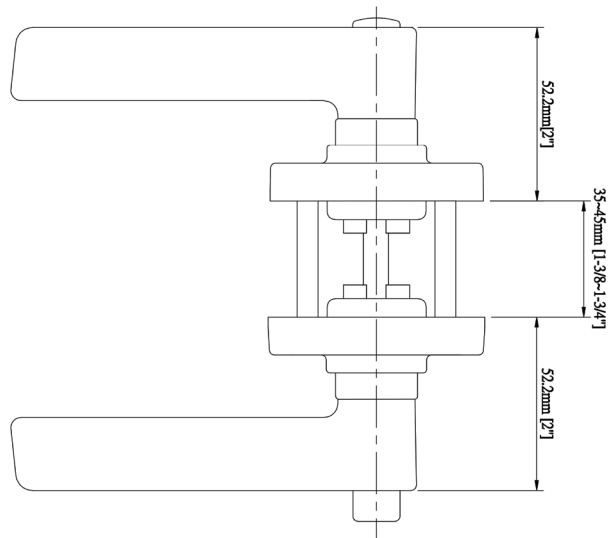
*Berkley (BE)*



*Tremblant (GT)*

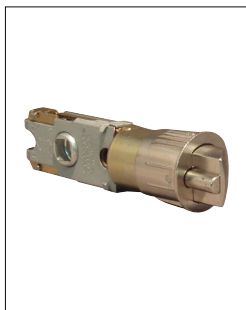


*New England (NE)*



# Grade 3 Lever Locks, 50 Series

## Parts and Accessories



### KLQ600

- Drive-In Deadlatch
- 2-Way Adjustable 2 $\frac{3}{8}$ " - 2 $\frac{3}{4}$ "
- 1" Diameter



### KLQ610

- Drive-In Springlatch
- 2-Way Adjustable 2 $\frac{3}{8}$ " - 2 $\frac{3}{4}$ "
- 1" Diameter



### CYL50

- Cylinder for 50-Series
- Available in SC1 keyway
- Drilled 5-pin, Keyed
- 5-pin, Keyed Different
- Finishes: Bronze (BR), Chrome (CH)

Mfr.#	EZ#
KLQ600	103313

Mfr.#	EZ#
KLQ610	103314

Mfr.#	EZ#
CYL50S BR	103319
CYL50S CH	103320

## Finishes

