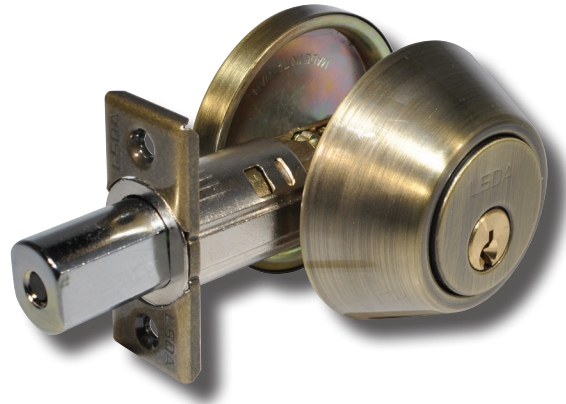


# Grade 3 Combination Locks 03 Series



## Overview

The 03-Series combines a tubular knob lock with a single or double cylinder deadbolt. Both locks are keyed to the same key for convenience and ease of installation. These locks are recommended for use on exterior doors.

## Compliance

- Knob Locks are ANSI/BHMA 156.2 Series 4000 Grade 3, (UL listed 3-hour latchbolt available separately for Deadbolt)
- Deadbolts meet ANSI/BHMA 156.2 Series 4000, Grade 3

## Applications

- Houses
- Apartments



# Grade 3 Combination Locks, 03 Series

## Standard Features:

<b>Latch</b>	Adjustable 2 <sup>3</sup> / <sub>4</sub> " and 2 <sup>3</sup> / <sub>8</sub> " Backset, square corner. Full 1" bolt projection, full 1/2" latch projection
<b>Handing</b>	Non-Handed
<b>Materials</b>	Stainless Steel or Brass
<b>Strike</b>	2 <sup>3</sup> / <sub>4</sub> " x 1 <sup>1</sup> / <sub>8</sub> " standard for the deadbolt, 2 <sup>1</sup> / <sub>4</sub> " full lip for knob
<b>Door Prep, Knob</b>	2 <sup>1</sup> / <sub>8</sub> " diameter bore x 1" crossbore; 2 <sup>1</sup> / <sub>4</sub> " x 1" latch face; 2 <sup>19</sup> / <sub>32</sub> " Rose Diameter
<b>Door Prep, Deadbolt</b>	1 <sup>1</sup> / <sub>2</sub> " or 2 <sup>1</sup> / <sub>8</sub> " diameter bore, 1" crossbore
<b>Door Thickness</b>	1 <sup>3</sup> / <sub>8</sub> " - 1 <sup>3</sup> / <sub>4</sub> " standard
<b>Keying</b>	KW1 or SC1 cylinder; Rekeyable, 5-pin; Deadbolt and Knob are Keyed Alike (KA20) in twenty

# Grade 3 Combination Locks, 03 Series

## Designs



Ball Design with Single Cylinder Deadbolt Shown in 3 Finish



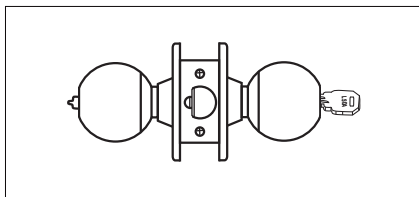
Tulip Design with Single Cylinder Deadbolt Shown in 5 Finish



Ball Design with Double Cylinder Deadbolt Shown in 3 Finish

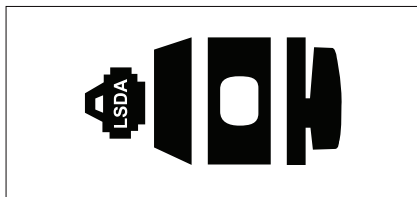


## Functions



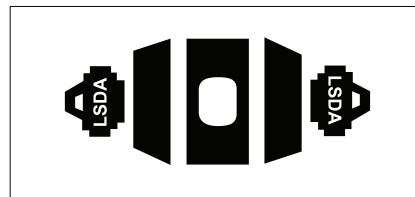
### Entrance

Pushing and turning inside button locks outside lever requiring use of key until button is manually unlocked. Pushing inside button locks outside lever until unlocked with a key or inside lever is turned. Inside lever always retracts latch.



### Single Cylinder

Deadbolt is locked and unlocked by a thumbturn inside and a key outside. Knob lock is locked or unlocked by a turn piece inside and a key outside.



### Double Cylinder\*

Deadbolt is locked and unlocked by a key inside and outside. Knob lock is locked or unlocked by a turn piece inside and a key outside.

*\* Deadbolts that secure both sides of the door are controlled by building codes and the Life Safety Code. In an emergency exit situation, failure to quickly unlock the inside knob could be hazardous or even fatal.*

# Grade 3 Combination Locks, 03 Series

## How to Order

### *Knob Lock with Single Cylinder Deadbolts*

Mfr.#	Design	Finish	Keyway	EZ#
<b>03B MB3K KA20</b>	Ball	MB3	KW1	<b>070034</b>
<b>03B11P K KA20</b>	Ball	11P	KW1	<b>109771</b>
<b>03B11P S KA20</b>	Ball	11P	SC1	<b>109772</b>
<b>03B15K KA20</b>	Ball	15	KW1	<b>101743</b>
<b>03B15S KA20</b>	Ball	15	SC1	<b>109770</b>
<b>03B3K KA20</b>	Ball	3	KW1	<b>029628</b>
<b>03B3S KA20</b>	Ball	3	SC1	<b>109769</b>
<b>03B5K KA20</b>	Ball	5	KW1	<b>068423</b>
<b>03G3K KA20</b>	Tulip	3	KW1	<b>029558</b>

### *Knob Lock with Double Cylinder Deadbolts\**

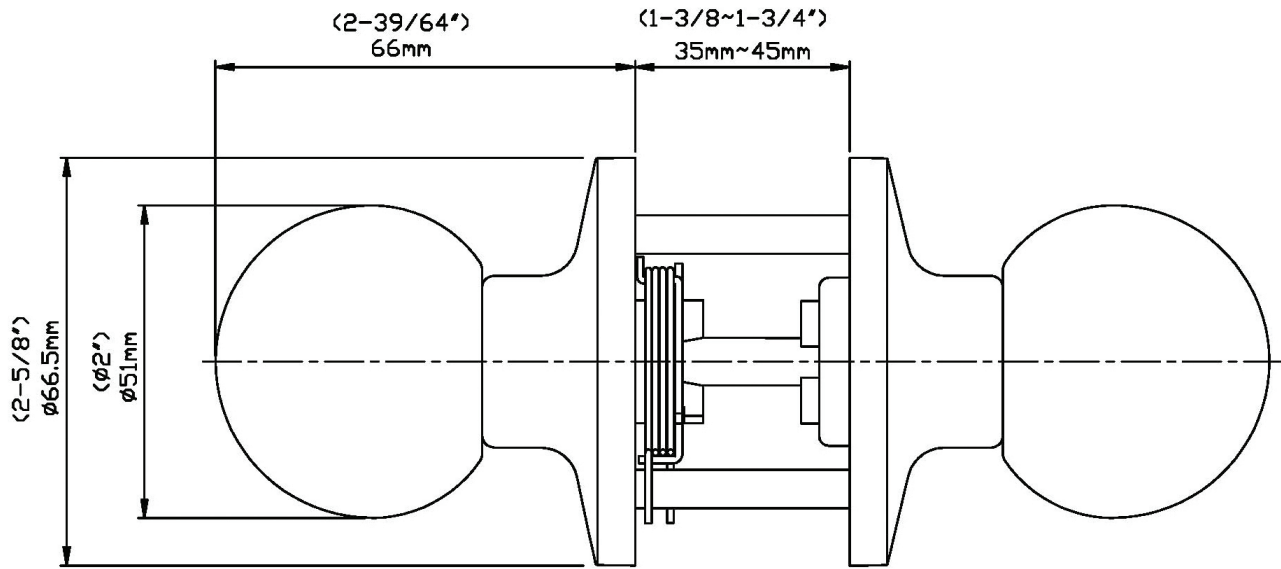
Mfr.#	Design	Finish	Keyway	EZ#
<b>05B3K KA20</b>	Ball	3	KW1	<b>029629</b>

*\* Deadbolts that secure both sides of the door are controlled by building codes and the Life Safety Code. In an emergency exit situation, failure to quickly unlock the inside knob could be hazardous or even fatal.*

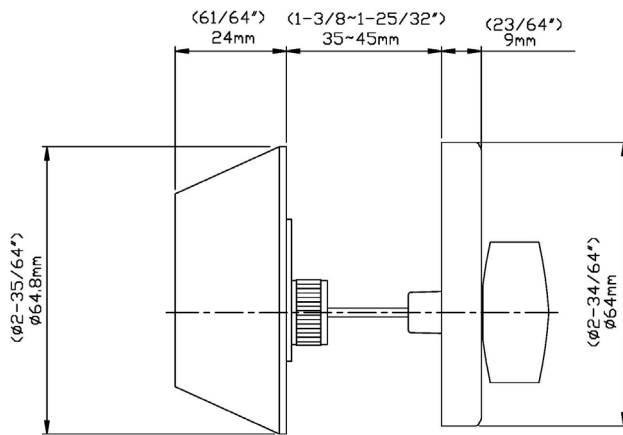
# Grade 3 Combination Locks, 03 Series

## Dimensions

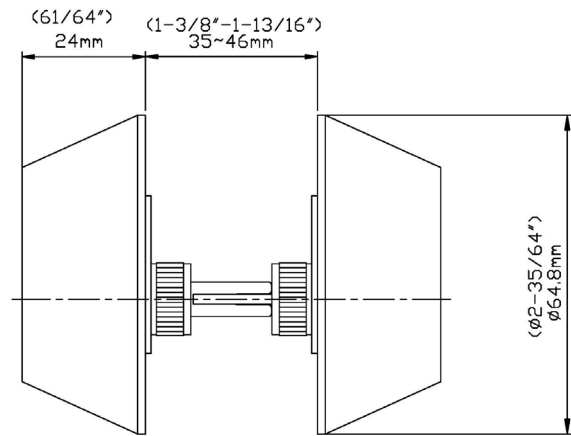
### Knob Lock



### Single Cylinder Deadbolt



### Double Cylinder Deadbolt



# Grade 3 Combination Locks, 03 Series

## Parts and Accessories, Knob



### 9071N

- Adjustable Deadlatches
- 2-Way
- Finish: US3

Mfr.#	EZ#
9071N3	069245



### 9072N

- Adjustable Springlatch
- 2-Way
- Finish: US3

Mfr.#	EZ#
9072N3	069246



### 9077N

- Adjustable Deadlatches
- 4-Way
- Finish: US3

Mfr.#	EZ#
9077N3 [LSDA]	069248



### 9078N

- Adjustable Springlatch
- 4-Way
- Finish: US3, US32D

Mfr.#	EZ#
9078N3	069251
9078N32D	069253



### CYL00

- Cylinder for 00-Series
- Available in KW1, SC1, or WR3 keyway
- Drilled 5-pin, Keyed 5-pin, Keyed Different
- Finishes: Brass (BR), Chrome (CH)

Mfr.#	EZ#
CYL00W BR	103321
CYL00W CH	103322
CYL00K BR	103323
CYL00K CH	103324
CYL00S BR	103325
CYL00S CH	103326

## Parts and Accessories, Deadbolt



### 9075N

- 2-Way Drive-in Replacement Bolt
- Adjustable 2 $\frac{3}{8}$ " - 2 $\frac{3}{4}$ "
- Barrel:  $\frac{7}{8}$ "
- Finishes: US32D

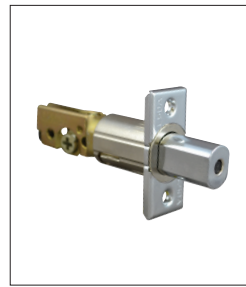
Mfr.#	EZ#
9075N32D	075407



### 9026N

- Drive-In Bolt
- Adjustable 2 $\frac{3}{8}$ " - 2 $\frac{3}{4}$ "

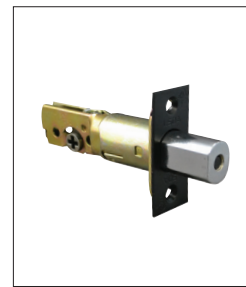
Mfr.#	EZ#
9026N	081030



### 9098N

- 4-Way Bolt
- Adjustable 2 $\frac{3}{8}$ " - 2 $\frac{3}{4}$ "
- Finishes: US32D, US5, US3, US11P

Mfr.#	EZ#
9098N32D	080758
9098N5	080757
9098N3	080756
9098N11P	109099



### 9060N

- Optional 3-Hour UL Listed Adjustable 2 $\frac{3}{4}$ " - 2 $\frac{3}{8}$ " Bolt
- Finishes: US32D, US3, US11P

Mfr.#	EZ#
9060N32D	080755
9060N3	080753
9060N11P	109100



### 9092N

- Optional Round Face Bolt for Mobile Home

Mfr.#	EZ#
9092N	081018

# Grade 3 Combination Locks, 03 Series

## Parts and Accessories, Deadbolt



### 9411N3

- 2" Screw Pack for Single Cylinder Deadbolt
- Finish: US3

Mfr.#	EZ#
9411N3	069268



### 20CAPTOOL

- 2-in-1 (12 Teeth & 14 Teeth) Cap Tool

Mfr.#	EZ#
20CAPTOOL	106804



### 9711

- Long Tailpiece for Single Cylinder Deadbolt

Mfr.#	EZ#
9711	087060



### 9611

- Long Exterior Tailpiece for Double Cylinder Deadbolt

Mfr.#	EZ#
9611	086954



### 9612

- Long Interior Tailpiece for Double Cylinder Deadbolt

Mfr.#	EZ#
9612	086955



### 20TDP

- Thick door package for Single Cylinder
- Includes extra long tailpieces and screws to accommodate doors 1¾" to 2¼"
- Finishes: Chrome (CH), Brass (BR)

Mfr.#	EZ#
20TDP CH	181439
20TDP BR	181440



### 25TDP

- Thick door package for Double Cylinder
- Includes extra long tailpieces and screws to accommodate doors 1¾" to 2¼"
- Finishes: Chrome (CH), Brass (BR)

Mfr.#	EZ#
25TDP CH	181443
25TDP BR	181444

# Grade 3 Combination Locks, 03 Series

## Finishes


**US3 / 505 / 605**  
Bright Brass

A solid, bright yellow-gold color representing the Bright Brass finish.

**US5 / 609**  
Antique Brass

A dark brown color with a fine, horizontal brushed texture representing the Antique Brass finish.

**US11P / 616E**  
Venetian Bronze

A dark, almost black color with a subtle, curved metallic sheen representing the Venetian Bronze finish.

**US15 / 619**  
Satin Nickel

A light, neutral gray color with a fine, horizontal brushed texture representing the Satin Nickel finish.