

Grade 3 Combination Locks 30 Series



Overview

The 30-Series combines a cylindrical knob lock with a single or double cylinder deadbolt. Both locks are keyed to the same key for convenience and ease of installation. These locks are recommended for use on exterior doors.

Compliance

- Knob Locks are ANSI/BHMA 156.2 Series 4000 Grade 3, (UL listed 3-hour latchbolt available separately for Deadbolt)
- Deadbolts meet ANSI/BHMA 156.2 Series 4000, Grade 3

Applications

- Houses
- Apartments
- Offices
- Storerooms



Grade 3 Combination Locks, 30 Series

Standard Features:

Latch	Adjustable 2¾" and 2⅝" Backset, square corner. Full 1" bolt projection, full ½" latch projection
Handing	Non-Handed
Materials	Stainless Steel or Brass
Strike	2¾" x 1⅛" standard for the deadbolt, 2¼" full lip for knob
Door Prep, Knob	2⅛" diameter bore x 1" crossbore; 2¼" x 1" latch face; 2Ⅰ⁄₃₂" Rose Diameter
Door Prep, Deadbolt	1½" or 2Ⅰ⁄₈" diameter bore, 1" crossbore
Door Thickness	1⅜" x 1¾" standard
Keying	KW1 or SC1 cylinder; Rekeyable, 5-pin; Deadbolt and Knob are Keyed Alike (KA20) in twenty

Designs



Ball Design with Single Cylinder Deadbolt Shown in 3 Finish



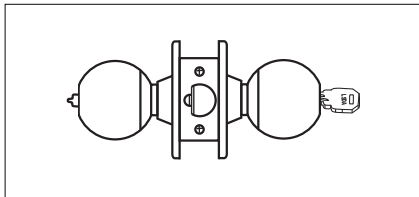
Standard Design with Single Cylinder Deadbolt Shown in 3 Finish



Ball Design with Double Cylinder Deadbolt Shown in 3 Finish

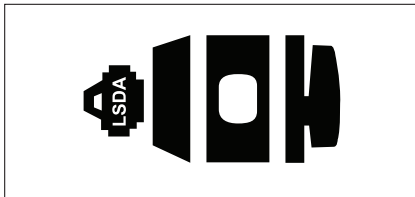
Grade 3 Combination Locks, 30 Series

Functions



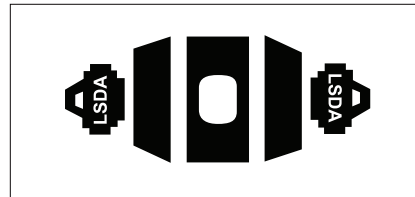
Entrance

Pushing and turning inside button locks outside lever requiring use of key until button is manually unlocked. Pushing inside button locks outside lever until unlocked with a key or inside lever is turned. Inside lever always retracts latch.



Single Cylinder

Deadbolt is locked and unlocked by a thumbturn inside and a key outside. Knob lock is locked or unlocked by a turn piece inside and a key outside.



Double Cylinder*

Deadbolt is locked and unlocked by a key inside and outside. Knob lock is locked or unlocked by a turn piece inside and a key outside.

How to Order

Knob Lock with Single Cylinder Deadbolts

Mfr.#	Design	Finish	Keyway	KA/KD	EZ#
30B MB3K KA20	Ball	MB3	KW1	KA	068814
30B3K KA20	Ball	3	KW1	KA	009832
30B3K KA12331	Ball	3	KW1	KA	026839
30B3K KD MK76676	Ball	3	KW1	KD	026840
30B3K KD MK75677	Ball	3	KW1	KD	185267
30B5K KA20	Ball	5	KW1	KA	009834
30B32D K KA20	Ball	32D	KW1	KA	009833
30B MB3S KA20	Ball	MB3	SC1	KA	070329
30B32D S KA20	Ball	32D	SC1	KA	105812

Knob Lock with Double Cylinder Deadbolts*

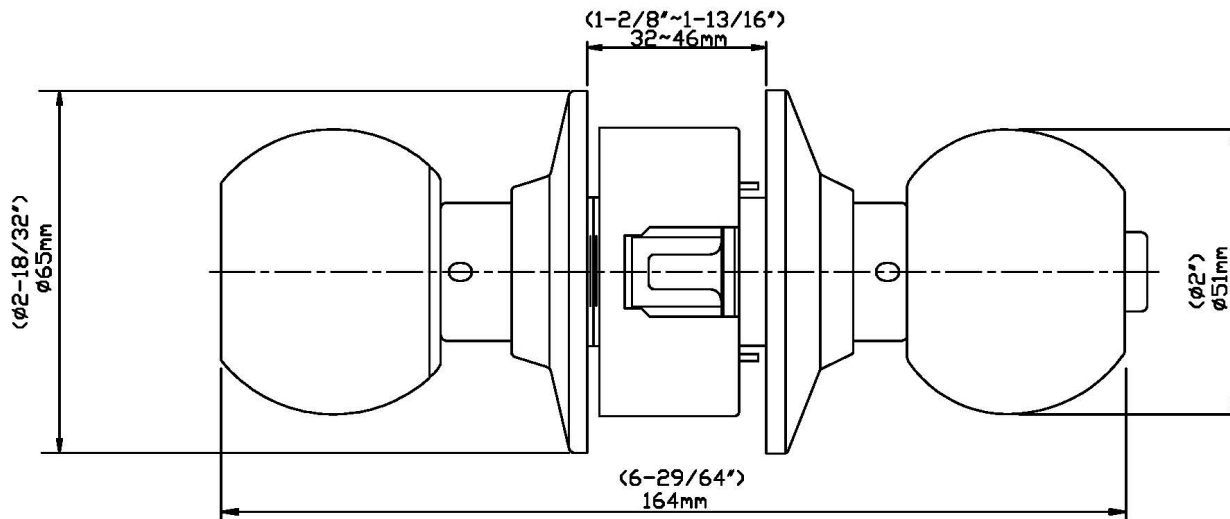
Mfr.#	Design	Finish	Keyway	KA/KD	EZ#
35B3K KA20	Ball	3	KW1	KA	009837
35B MB3K KA20	Ball	MB3	KW1	KA	068816

* Deadbolts that secure both sides of the door are controlled by building codes and the Life Safety Code. In an emergency exit situation, failure to quickly unlock the inside knob could be hazardous or even fatal.

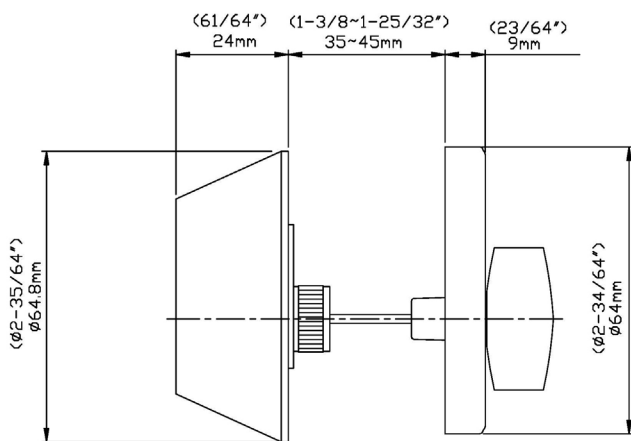
Grade 3 Combination Locks, 30 Series

Dimensions

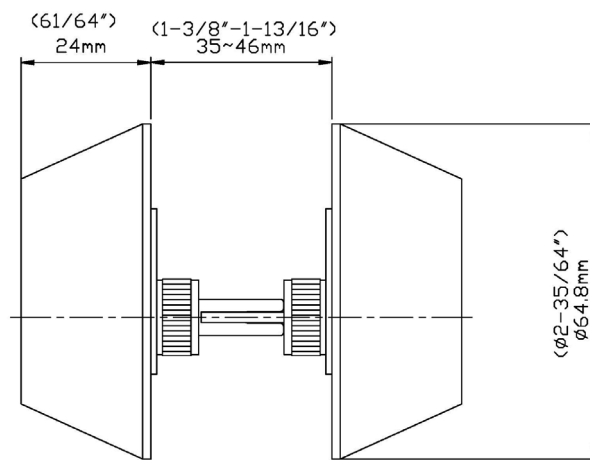
Knob Lock



Single Cylinder Deadbolt



Double Cylinder Deadbolt



Grade 3 Combination Locks, 30 Series

Parts and Accessories, Knob



9081N

- 2-Way Deadlatch
- Adjustable 2 $\frac{3}{8}$ " - 2 $\frac{3}{4}$ "
- Finishes: US3, US32D

Mfr.#	EZ#
9081N3	069254
9081N32D	069256



9082N

- 2-Way Springlatch
- Adjustable 2 $\frac{3}{8}$ " - 2 $\frac{3}{4}$ "
- Finishes: US3, US32D

Mfr.#	EZ#
9082N3	069257
9082N32D	069258



9207

- Screw Packs
- Finish: US3

Mfr.#	EZ#
9207 3	009940

Parts and Accessories, Deadbolt



9075N

- 2-Way Drive-in Replacement Bolt
- Adjustable 2 $\frac{3}{8}$ " - 2 $\frac{3}{4}$ "
- Barrel: $\frac{7}{8}$ "
- Finishes: US32D

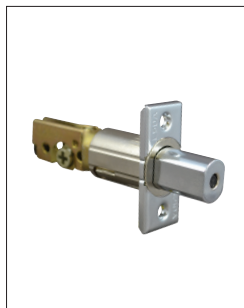
Mfr.#	EZ#
9075N32D	075407



9026N

- Drive-In Bolt
- Adjustable 2 $\frac{3}{8}$ " - 2 $\frac{3}{4}$ "

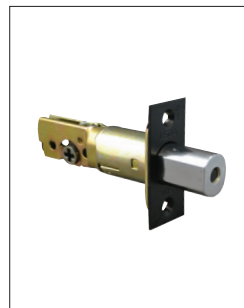
Mfr.#	EZ#
9026N	081030



9098N

- 4-Way Bolt
- Adjustable 2 $\frac{3}{8}$ " - 2 $\frac{3}{4}$ "
- Finishes: US32D, US5, US3, US11P

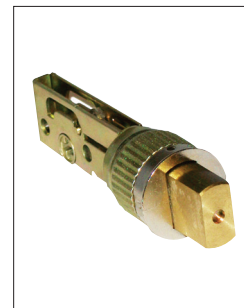
Mfr.#	EZ#
9098N32D	080758
9098N5	080757
9098N3	080756
9098N11P	109099



9060N

- Optional 3-Hour UL Listed Adjustable Bolt
- Finishes: US32D, US3, US11P

Mfr.#	EZ#
9060N32D	080755
9060N3	080753
9060N11P	109100



9092N

- Optional Round Face Bolt for Mobile Home

Mfr.#	EZ#
9092N	081018

Grade 3 Combination Locks, 30 Series

Parts and Accessories, Deadbolt



9411N3

- 2" Screw Pack for Single Cylinder Deadbolt
- Finish: US3

Mfr.#	EZ#
9411N3	069268



20CAPTOOL

- 2-in-1 (12 Teeth & 14 Teeth) Cap Tool

Mfr.#	EZ#
20CAPTOOL	106804



9711

- Long Tailpiece for Single Cylinder Deadbolt

Mfr.#	EZ#
9711	087060



9611

- Long Exterior Tailpiece for Double Cylinder Deadbolt

Mfr.#	EZ#
9611	086954



9612

- Long Interior Tailpiece for Double Cylinder Deadbolt

Mfr.#	EZ#
9612	086955



20TDP

- Thick door package for Single Cylinder
- Includes extra long tailpieces and screws to accommodate doors 1¾" to 2¼"
- Finishes: Chrome (CH), Brass (BR)

Mfr.#	EZ#
20TDP CH	181439
20TDP BR	181440



25TDP

- Thick door package for Double Cylinder
- Includes extra long tailpieces and screws to accommodate doors 1¾" to 2¼"
- Finishes: Chrome (CH), Brass (BR)

Mfr.#	EZ#
25TDP CH	181443
25TDP BR	181444

Grade 3 Combination Locks, 30 Series

Finishes

US3 / 505 / 605
Bright Brass

A square swatch showing a bright, polished brass finish with a uniform yellow-gold color.

US5 / 609
Antique Brass

A square swatch showing an antique brass finish with a dark, aged brown color and a slightly textured surface.

US32D / 630
Satin Stainless Steel

A square swatch showing a satin stainless steel finish with a brushed, metallic grey color and a fine, linear texture.