

# Grade 3 Handlesets 40 Series



## Overview

The 40-Series is a selection of attractive and secure handlesets for residential entrances. Available in several styles and finishes, they enhance any doorway. Each model includes a single-cylinder deadbolt and a separate grip handle with a passage latch. These locks are recommended for use on exterior and interior doors.

## Compliance

- ANSI/BHMA 156.2 Series 4000, Grade 3

## Applications

- Houses
- Apartments
- Condominiums
- Townhomes
- Office Buildings



# Grade 3 Handlesets, 40 Series

## Standard Features:

<b>Latch</b>	Adjustable 2 $\frac{3}{8}$ " to 2 $\frac{3}{4}$ " Spring Latch Backset with full $\frac{1}{2}$ " latch projection Deadbolt Latch is 1" deadbolt throw with anti-saw rod
<b>Handing</b>	Non-Handed
<b>Materials</b>	Zinc Die Cast, Steel
<b>Strike</b>	2 $\frac{1}{4}$ " full lip
<b>Door Prep</b>	2 $\frac{1}{8}$ " diameter bore, 1" crossbore Center-to-Center (CtoC) Dimensions: 8 $\frac{5}{8}$ "
<b>Door Thickness</b>	1 $\frac{3}{8}$ " - 1 $\frac{3}{4}$ "
<b>Keying</b>	Available in KW1, WR5, or SC1 Rekeyable 5-pin
<b>Trim</b>	Inside Trim is a Ball Design Knob for EA and PA models Knob or Lever can be replaced with an optional Wave Shaped Design (Lyon, LY) Lever Decorative cap for covering the screws during installation provided for PA models

# Grade 3 Handlesets, 40 Series

## Designs



40EA (Early American)  
Shown in 11P Finish



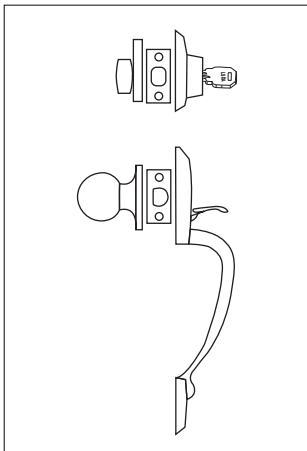
40PA (Park Avenue)  
Shown in MB3 Finish

## How to Order

### Entrance Function

Mfr.#	Desc.	EZ#
<b>40EA11P W</b>	Early American, WR5	<b>091356</b>
<b>40EA15A W</b>	Early American, WR5	<b>078928</b>
<b>40EA15W</b>	Early American, WR5	<b>082756</b>
<b>40EA3S</b>	Early American, SC1	<b>181600</b>
<b>40EA3W</b>	Early American, WR5	<b>181601</b>
<b>40EA5K</b>	Early American, KW1	<b>009843</b>
<b>40PA3W</b>	Park Avenue, WR5	<b>181603</b>
<b>40PA15W</b>	Park Avenue, WR5	<b>091359</b>

## Functions



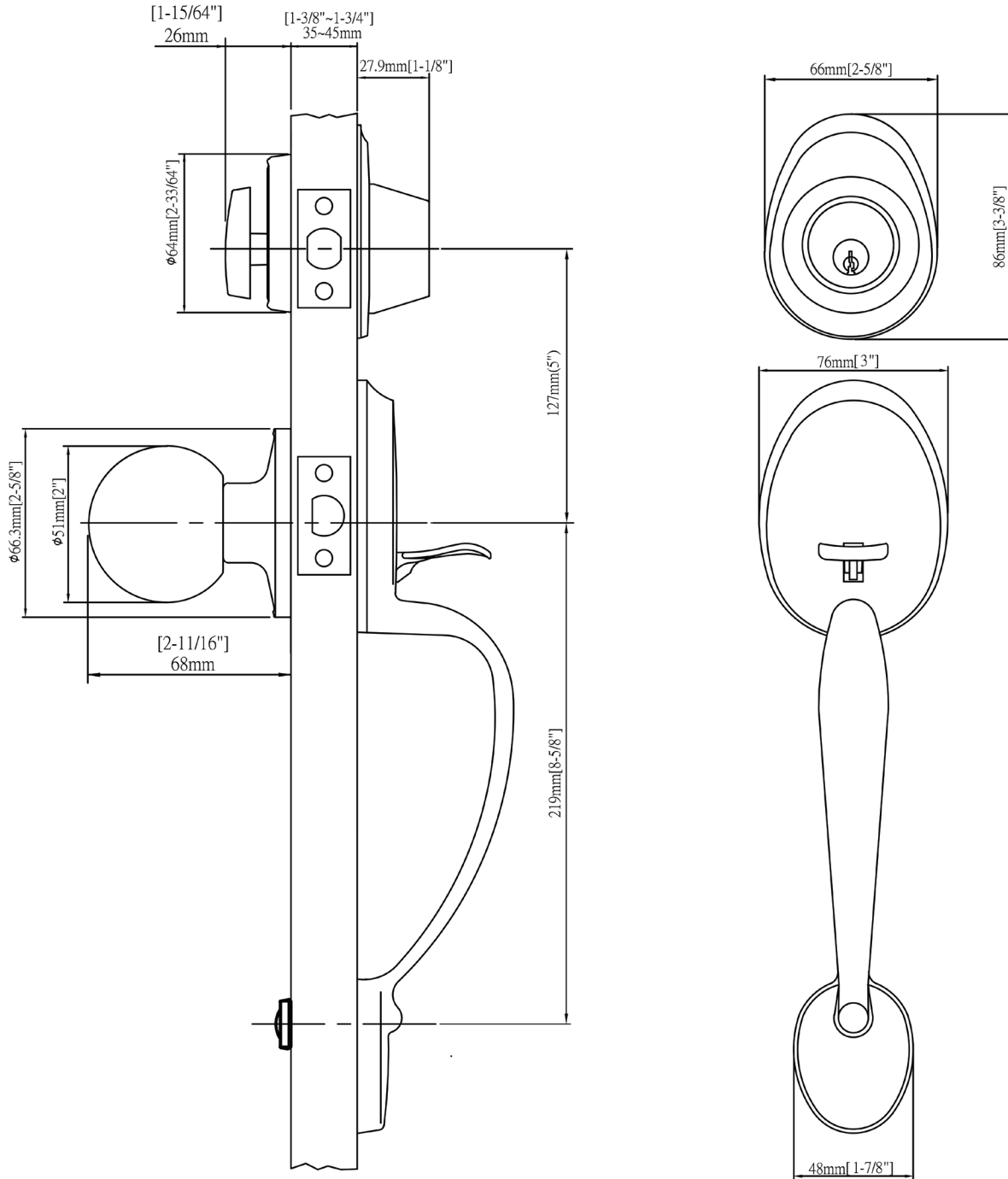
### Entry

Pressing outside thumb-piece or rotating inside knob retracts springlatch. Deadbolt is operated by a key outside and thumbturn inside. Latchbolt and deadbolt are not interconnected and operate independently of each other.

# Grade 3 Handsets, 40 Series

## Dimensions

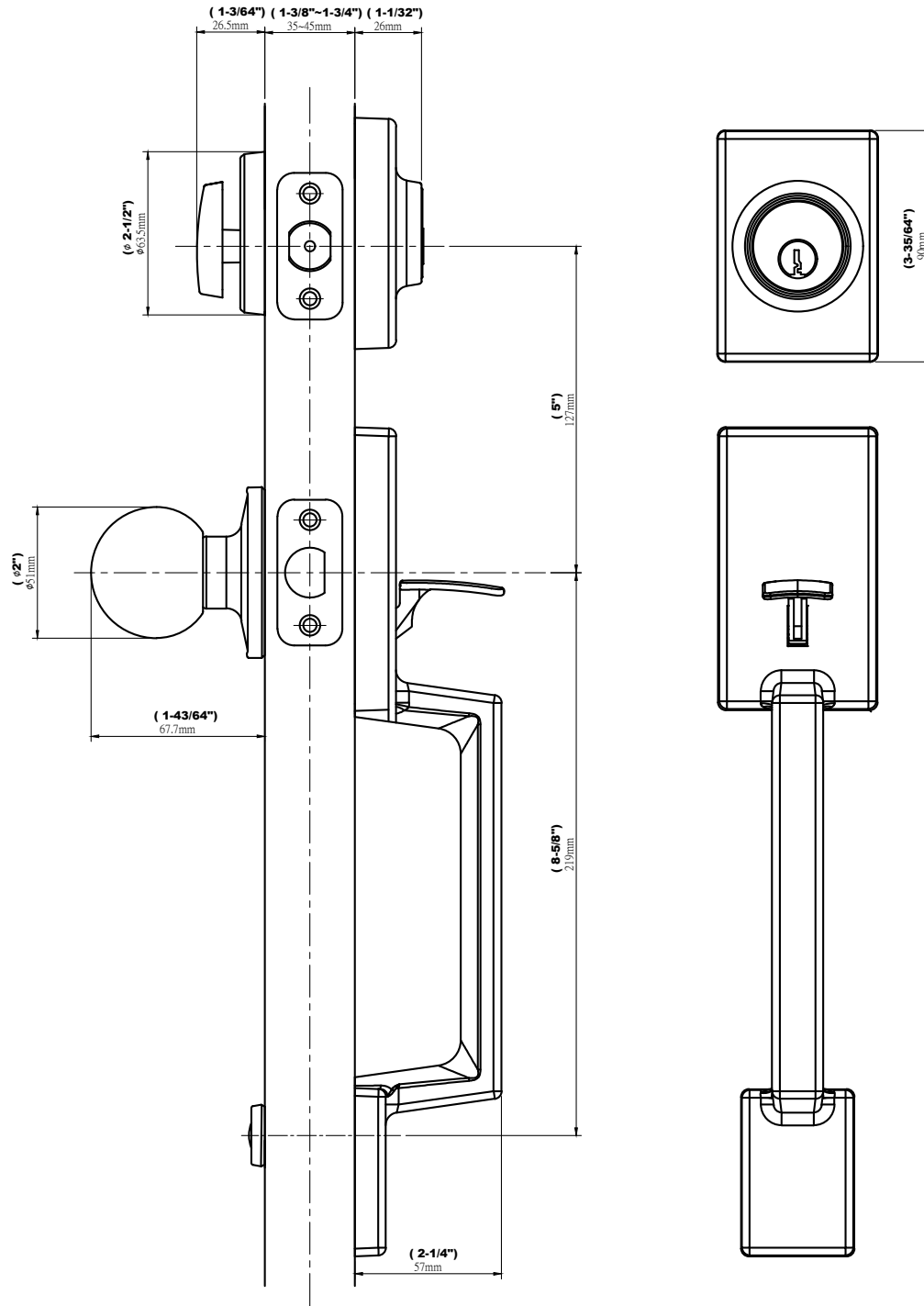
### Early American (EA)



# Grade 3 Handlesets, 40 Series

## Dimensions

### Park Avenue (PA)



# Grade 3 Handlesets, 40 Series

## Parts and Accessories



### 9072N

- Adjustable Springlatch
- 2-Way Adjustable 2 $\frac{3}{8}$ " - 2 $\frac{3}{4}$ "
- $\frac{7}{8}$ " Diameter
- Finish: US3

Mfr.#	EZ#
9072N3	069246



### 9078N

- Adjustable Springlatch
- 4-Way Adjustable 2 $\frac{3}{8}$ " - 2 $\frac{3}{4}$ "
- 1" Diameter
- Finish: US3

Mfr.#	EZ#
9078N3	069251



### CYL40

- Cylinder, SC1 Keyway
- Drilled 5-pin, keyed 5-pin
- Keyed Different
- Finishes: US3, US15, US11P

Mfr.#	EZ#
CYL40S3	181609
CYL40S11P	106476
CYL40S15	106475



### LT40LY

- Optional Replacement Inside Trim, Lyon (LY) Design
- Right Hand
- Finishes: US3, US11P, US15

Mfr.#	EZ#
LT40LY3RH	181611
LT40LY11P RH	103078
LT40LY15RH	103076



### LT40LY

- Optional Replacement Inside Trim, Lyon (LY) Design
- Left Hand
- Finishes: US3, US11P, US15

Mfr.#	EZ#
LT40LY3LH	181610
LT40LY11P LH	103077
LT40LY15LH	103075

# Grade 3 Handlesets, 40 Series

## Finishes



## Handing

