

# Grade 3 Handlesets 40 Series



## Overview

The 40-Series is a selection of attractive and secure handlesets for residential entrances. Available in several styles and finishes, they enhance any doorway. Each model includes a single-cylinder deadbolt and a separate grip handle with a passage latch. These locks are recommended for use on exterior and interior doors.

## Compliance

- ANSI/BHMA 156.2 Series 4000, Grade 3

## Applications

- Houses
- Apartments
- Condominiums
- Townhomes
- Office Buildings



# Grade 3 Handlesets, 40 Series

## Standard Features:

|                       |  |
|-----------------------|--|
| <b>Latch</b>          | Adjustable 2 $\frac{3}{8}$ " to 2 $\frac{3}{4}$ " Spring Latch Backset with full $\frac{1}{2}$ " latch projection<br>Deadbolt Latch is 1" deadbolt throw with anti-saw rod   |
| <b>Handing</b>        | Non-Handed   |
| <b>Materials</b>      | Zinc Die Cast, Steel   |
| <b>Strike</b>         | 2 $\frac{1}{4}$ " full lip   |
| <b>Door Prep</b>      | 2 $\frac{1}{8}$ " diameter bore, 1" crossbore<br>Center-to-Center (CtoC) Dimensions: 8 $\frac{5}{8}$ "   |
| <b>Door Thickness</b> | 1 $\frac{3}{8}$ " - 1 $\frac{3}{4}$ "  |
| <b>Keying</b>         | Available in KW1, WR5, or SC1<br>Rekeyable 5-pin   |
| <b>Trim</b>           | Inside Trim is a Ball Design Knob for EA and SC models<br>Knob or Lever can be replaced with an optional Wave Shaped Design (Lyon, LY)<br>Lever<br>Decorative cap for covering the screws during installation provided for SC models |

# Grade 3 Handlesets, 40 Series

## Designs



40EA (Early American)  
Shown in 11P Finish



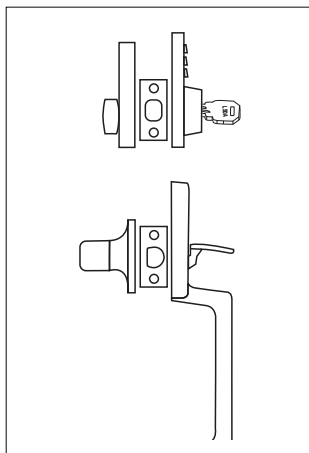
40SC (Saint Croix)  
Shown in 15 Finish

## How to Order

### Entrance Function

| Mfr.#            | Desc.               | EZ#           |
|------------------|---------------------|---------------|
| <b>40EA MB3K</b> | Early American, KW1 | <b>068818</b> |
| <b>40EA MB3S</b> | Early American, SC1 | <b>068831</b> |
| <b>40EA MB3W</b> | Early American, WR5 | <b>068819</b> |
| <b>40EA11P K</b> | Early American, KW1 | <b>091357</b> |
| <b>40EA11P S</b> | Early American, SC1 | <b>091355</b> |
| <b>40EA11P W</b> | Early American, WR5 | <b>091356</b> |
| <b>40EA15A K</b> | Early American, KW1 | <b>078107</b> |
| <b>40EA15W</b>   | Early American, WR5 | <b>082756</b> |
| <b>40EA15K</b>   | Early American, KW1 | <b>078108</b> |
| <b>40EA15S</b>   | Early American, SC1 | <b>087801</b> |
| <b>40EA3K</b>    | Early American, KW1 | <b>035995</b> |
| <b>40EA5K</b>    | Early American, KW1 | <b>009843</b> |
| <b>40SC MB3K</b> | St. Croix, KW1      | <b>087491</b> |
| <b>40SC11P K</b> | St. Croix, KW1      | <b>091354</b> |
| <b>40SC15A K</b> | St. Croix, KW1      | <b>087492</b> |
| <b>40SC15K</b>   | St. Croix, KW1      | <b>087493</b> |

## Functions



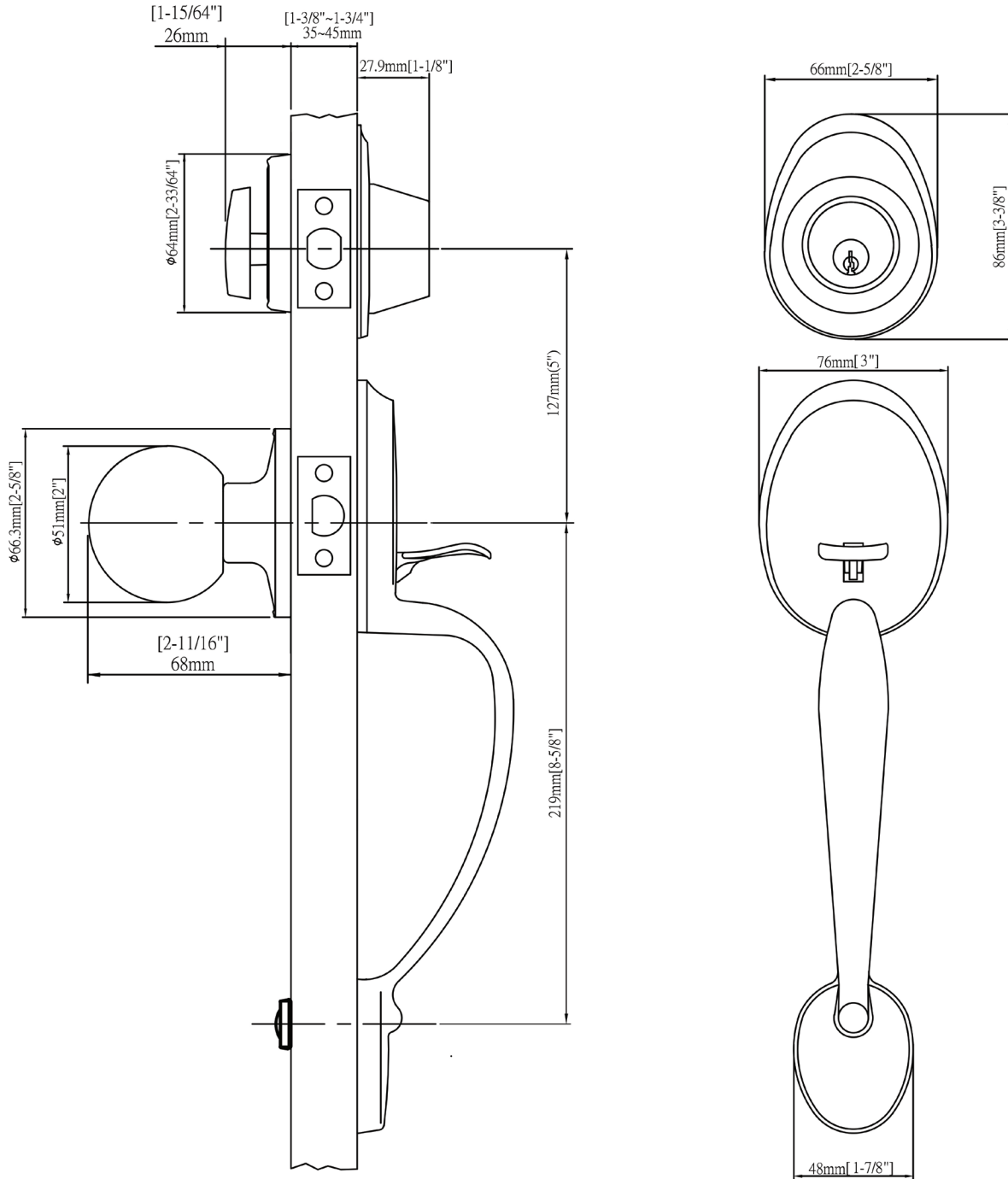
### Entry

Pressing outside thumb-piece or rotating inside knob retracts springlatch. Deadbolt is operated by a key outside and thumbturn inside. Latchbolt and deadbolt are not interconnected and operate independently of each other.

# Grade 3 Handsets, 40 Series

## Dimensions

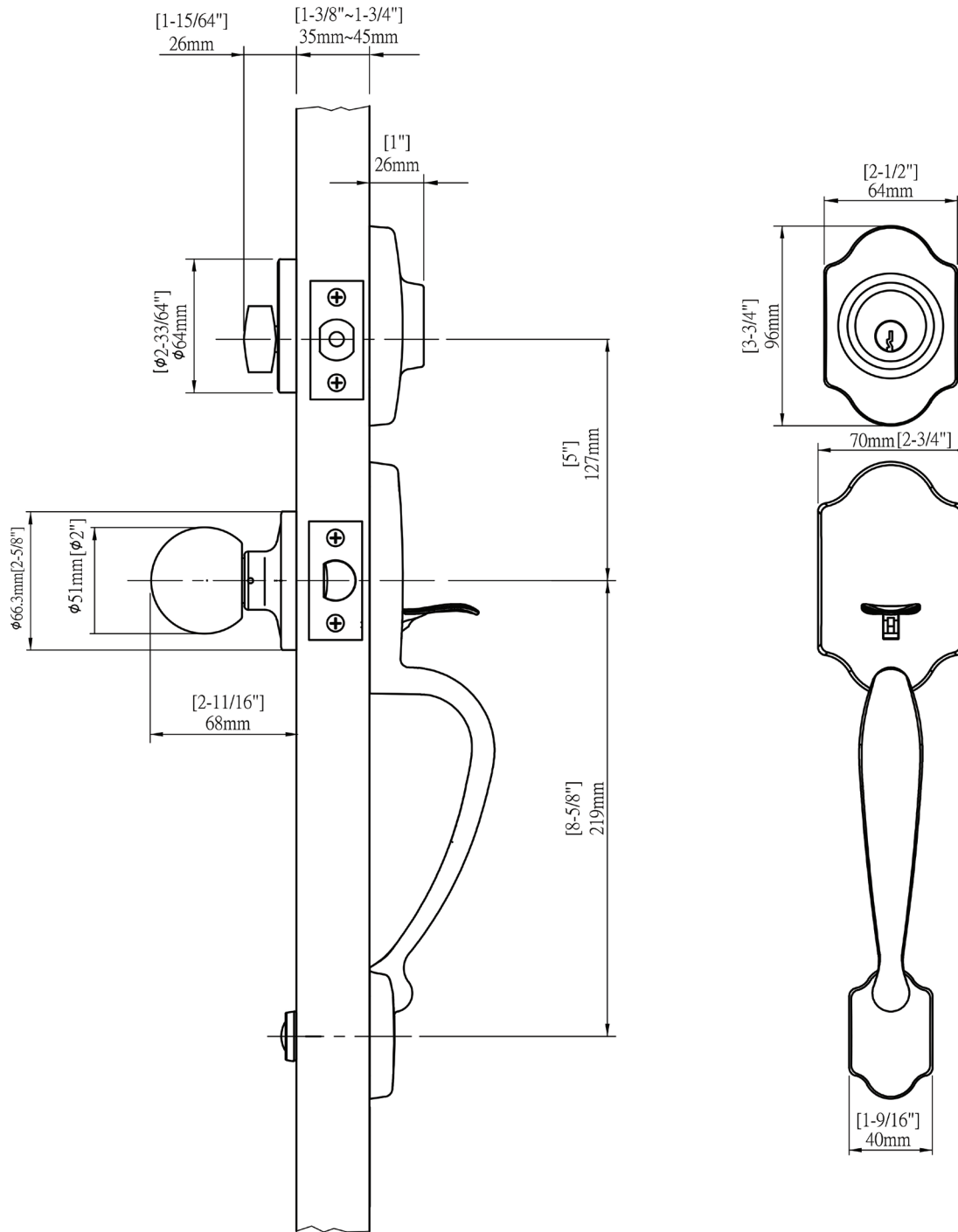
### Early American (EA)



# Grade 3 Handlesets, 40 Series

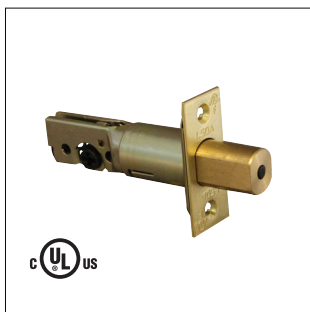
## Dimensions

### Saint Croix (SC)



# Grade 3 Handlesets, 40 Series

## Parts and Accessories



### 9060N

- Optional 3-Hour UL Listed Adjustable 2 $\frac{3}{4}$ " - 2 $\frac{3}{8}$ " Bolt
- Finishes: US32D, US3, US11P

| Mfr.#    | EZ#    |
|----------|--------|
| 9060N32D | 080755 |
| 9060N3   | 080753 |
| 9060N11P | 109100 |



### 9072N

- Adjustable Springlatch
- 2-Way Adjustable 2 $\frac{3}{8}$ " - 2 $\frac{3}{4}$ "
- $\frac{7}{8}$ " Diameter
- Finish: US3

| Mfr.#  | EZ#    |
|--------|--------|
| 9072N3 | 069246 |



### 9078N

- Adjustable Springlatch
- 4-Way Adjustable 2 $\frac{3}{8}$ " - 2 $\frac{3}{4}$ "
- 1" Diameter
- Finish: US3, US32D

| Mfr.#    | EZ#    |
|----------|--------|
| 9078N3   | 069251 |
| 9078N32D | 069253 |



### LT40LY

- Optional Replacement Inside Trim, Lyon (LY) Design
- Right Hand
- Finishes: USMB3, US11P, US15

| Mfr.#        | EZ#    |
|--------------|--------|
| LT40LY MB3RH | 103074 |
| LT40LY11P RH | 103078 |
| LT40LY15RH   | 103076 |



### LT40LY

- Optional Replacement Inside Trim, Lyon (LY) Design
- Left Hand
- Finishes: USMB3, US11P, US15

| Mfr.#        | EZ#    |
|--------------|--------|
| LT40LY MB3LH | 103073 |
| LT40LY11P LH | 103077 |
| LT40LY15LH   | 103075 |

# Grade 3 Handlesets, 40 Series

## Finishes



## Handing

