

Grade 3 Handlesets 46 Series



Overview

The 46-Series is a selection of attractive and secure handlesets for residential entrances. Available in two contemporary styles and three popular finishes, they enhance any doorway. Each model includes a single-cylinder deadbolt and a separate extra large grip handle with a passage latch. These locks are recommended for use on exterior and interior doors.

Compliance

- ANSI/BHMA 156.2 Series 4000, Grade 3

Applications

- Houses
- Apartments
- Condominiums
- Townhomes
- Office Buildings

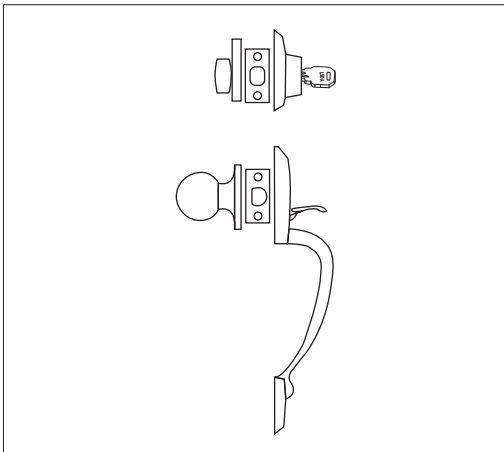


Grade 3 Handlesets, 46 Series

Standard Features:

Latch	Adjustable 2 $\frac{3}{8}$ " to 2 $\frac{3}{4}$ " Spring Latch Backset with full $\frac{1}{2}$ " latch projection Deadbolt Latch is 1" deadbolt throw with anti-saw rod
Handing	Non-Handed
Materials	Zinc Die Cast, Brass, Steel
Strike	2 $\frac{1}{4}$ " full lip
Door Prep	2 $\frac{1}{8}$ " diameter bore, 1" crossbore Center-to-Center (CtoC) Dimensions: 9 $\frac{1}{16}$ "
Door Thickness	1 $\frac{3}{8}$ " - 1 $\frac{3}{4}$ "
Keying	Available in KW1, WR5, or SC1 Rekeyable 5-pin
Trim	Inside Trim is a Ball Design Knob Knob can be replaced with an optional Wave Shaped Design (Lyon, LY) Lever Decorative cap for covering the screws during installation provided for PL & ME models

Functions



Entry

Pressing outside thumbpiece or rotating inside knob retracts springlatch. Deadbolt is operated by a key outside and thumbturn inside. Latchbolt and deadbolt are not interconnected and operate independently of each other.

Grade 3 Handlesets, 46 Series

Designs



46PL (Plantation)
Shown in 3 Finish



46ME (Metropolitan)
Shown in 11P Finish

How to Order

Entrance Function

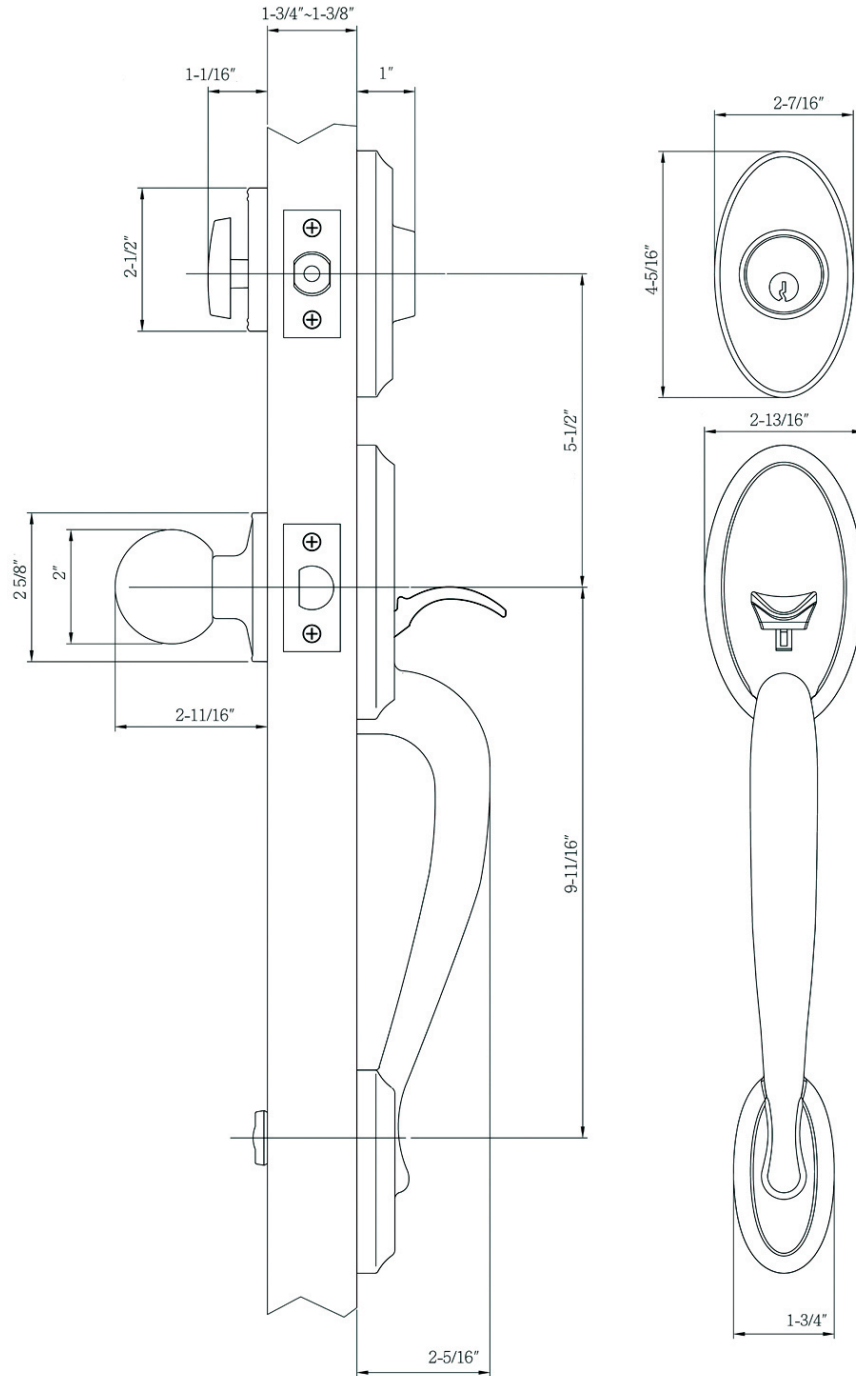
Mfr.#	Desc.	EZ#
46PL MB3K	Plantation, KW1	106454
46PL MB3S	Plantation, SC1	105095
46PL11P K	Plantation, KW1	106453
46PL11P S	Plantation, SC1	105093
46PL15K	Plantation, KW1	106452
46PL15S	Plantation, SC1	105091
46ME15S	Metropolitan, SC1	105097
46ME11P S	Metropolitan, SC1	105099
46ME MB3S	Metropolitan, SC1	105101



Grade 3 Handlesets, 46 Series

Dimensions

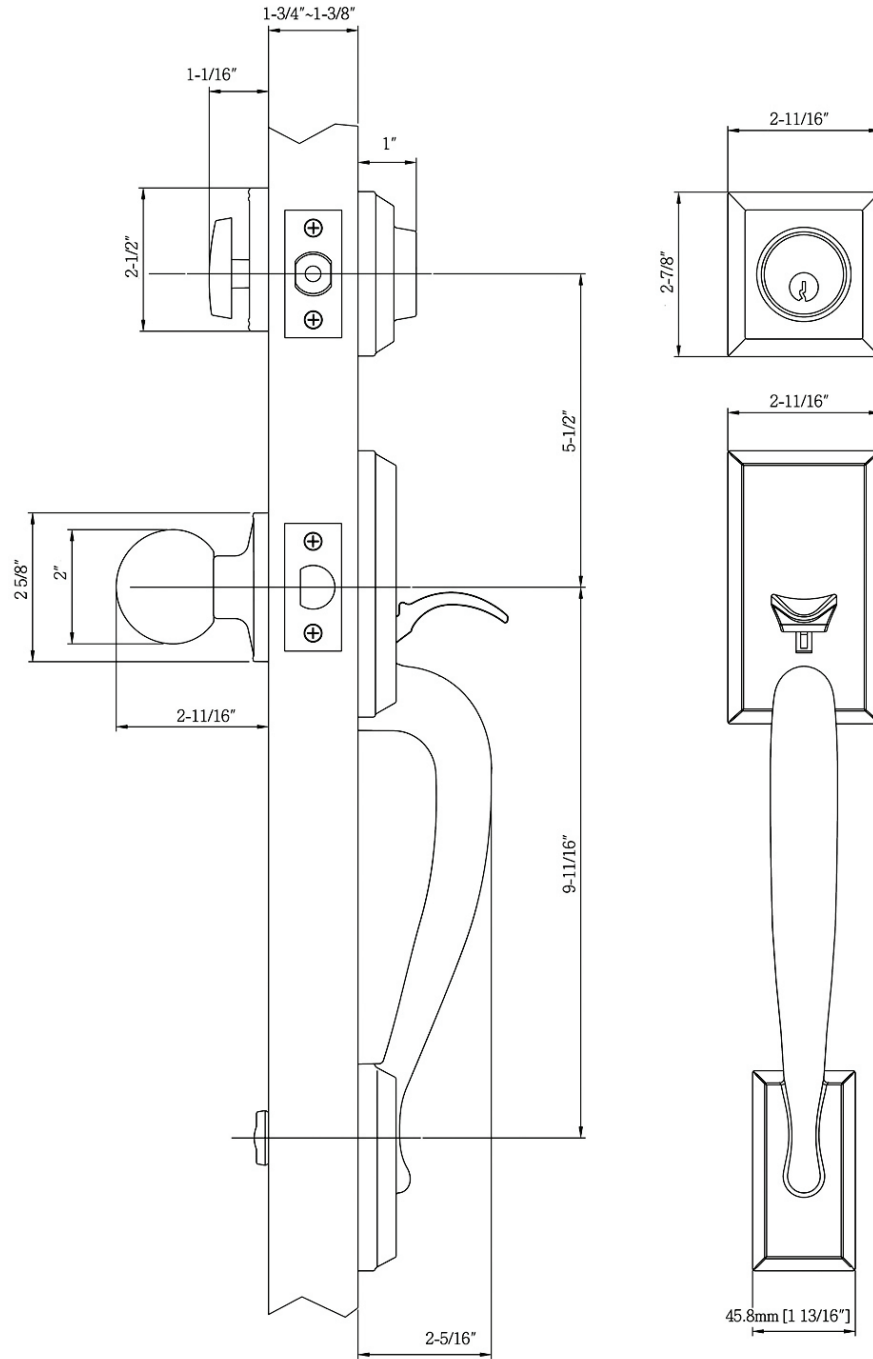
Plantation (PL)



Grade 3 Handlesets, 46 Series

Dimensions

Metropolitan (ME)



Grade 3 Handlesets, 46 Series

Parts and Accessories



9072N

- Adjustable Springlatch
- 2-Way Adjustable 2 $\frac{3}{8}$ " - 2 $\frac{3}{4}$ "
- $\frac{7}{8}$ " Diameter
- Finish: US3

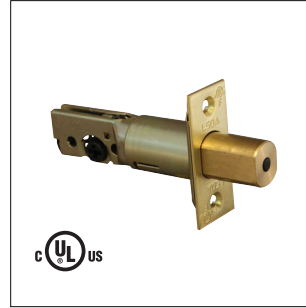
Mfr.#	EZ#
9072N3	069246



9078N

- Adjustable Springlatch
- 4-Way Adjustable 2 $\frac{3}{8}$ " - 2 $\frac{3}{4}$ "
- 1" Diameter
- Finish: US3, US32D

Mfr.#	EZ#
9078N3	069251
9078N32D	069253



9060N

- Optional 3-Hour UL Listed Adjustable 2 $\frac{3}{4}$ " - 2 $\frac{3}{8}$ " Bolt
- Finishes: US32D, US3, US11P

Mfr.#	EZ#
9060N32D	080755
9060N3	080753
9060N11P	109100



LT40LY

- Optional Replacement Inside Trim, Lyon (LY) Design
- Right Hand
- Finishes: US3, USMB3, US11P, US15

Mfr.#	EZ#
LT40LY3RH	181611
LT40LY MB3RH	103074
LT40LY11P RH	103078
LT40LY15RH	103076



LT40LY

- Optional Replacement Inside Trim, Lyon (LY) Design
- Left Hand
- Finishes: US3, USMB3, US11P, US15

Mfr.#	EZ#
LT40LY3LH	181610
LT40LY MB3LH	103073
LT40LY11P LH	103077
LT40LY15LH	103075

Grade 3 Handlesets, 46 Series

Finishes



Handing

