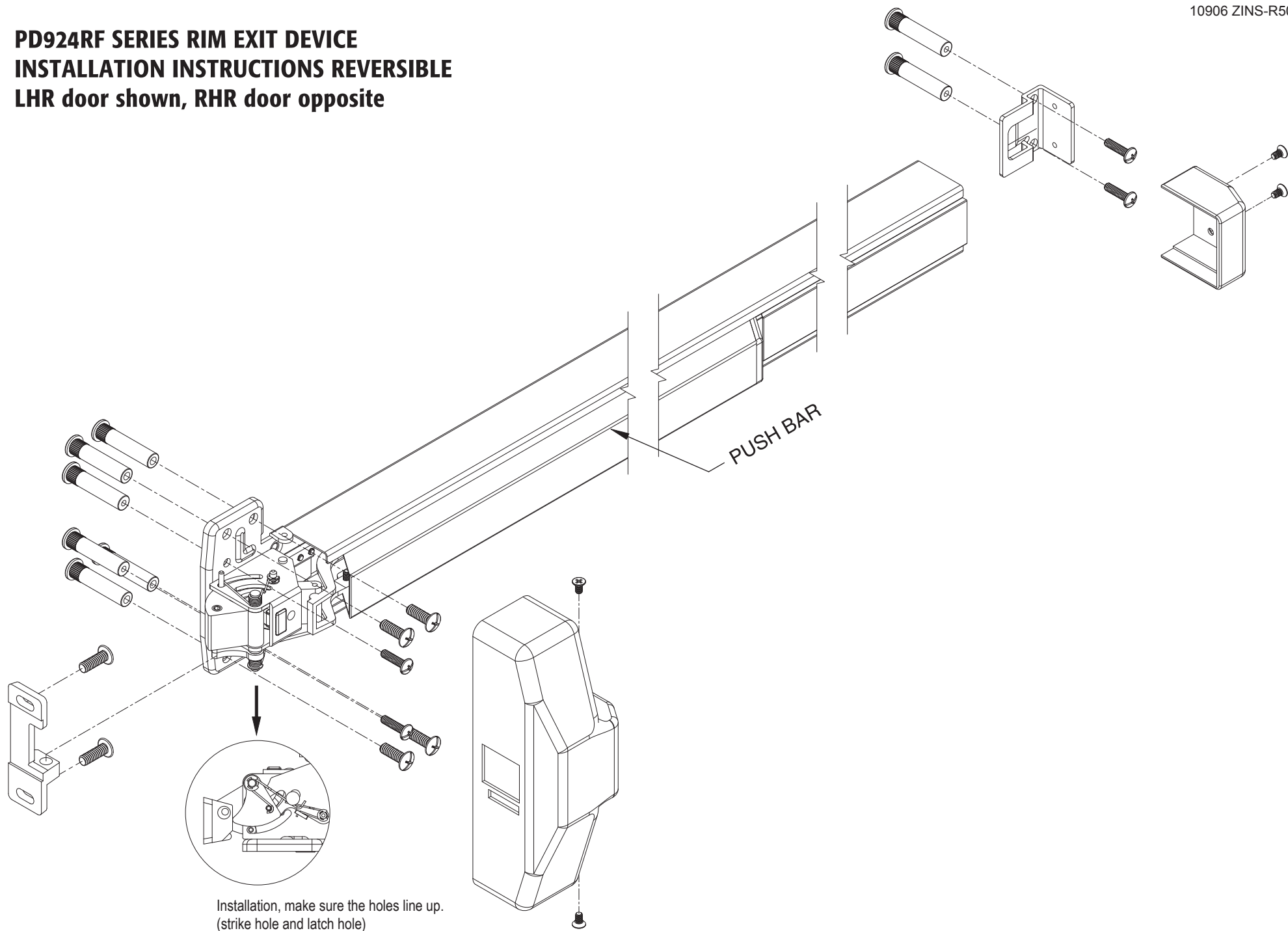


PD924RF SERIES RIM EXIT DEVICE
INSTALLATION INSTRUCTIONS REVERSIBLE
LHR door shown, RHR door opposite



Installation, make sure the holes line up.
(strike hole and latch hole)

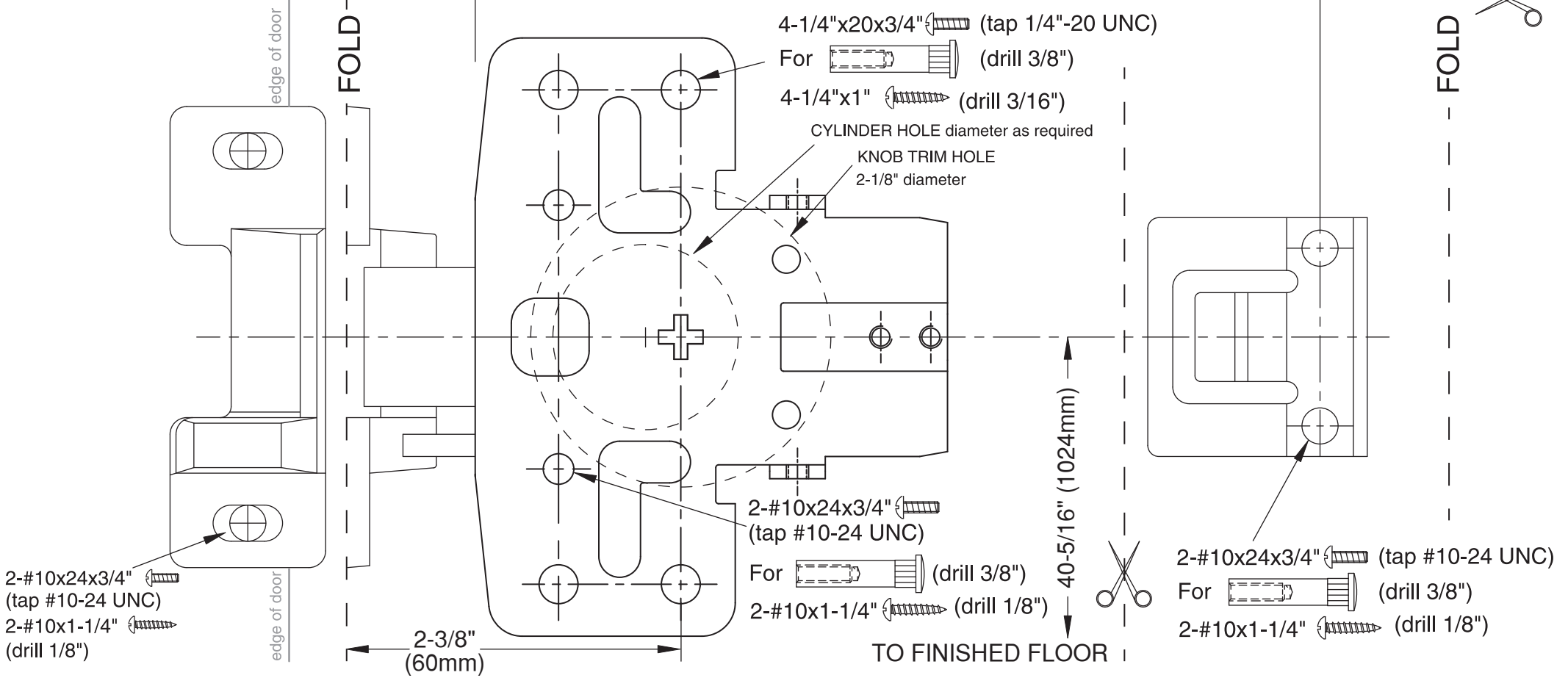
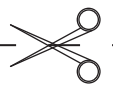
HINGE (+)



door frame width minus 2-3/16" (56mm)

FOLD

FOLD



2-#10x24x3/4" (tap #10-24 UNC)
 2-#10x1-1/4" (drill 1/8")

2-#10x24x3/4" (tap #10-24 UNC)
 For (drill 3/8")
 2-#10x1-1/4" (drill 1/8")