

# Grade 3 Deadbolts 20 Series



## Overview

20-Series deadbolt locks come in several finishes and three keyways. They are typically installed on exterior doors in homes and businesses. In addition to single cylinder and double cylinder models, LSDA also offers a one-sided (non-keyed) deadbolt with or without outside cover. These locks are recommended for use on exterior and interior doors.

## Compliance

- Meets ANSI/BHMA 156.2 Series 4000, Grade 3
- U.L. Listed Latch is for 3-hour fire doors, available on some locks, and sold separately

## Applications

- Offices
- Commercial Property
- Residences
- Multi-Family Buildings
- Industrial Sites
- Public Buildings



Where Indicated:  
R15852



# Grade 3 Deadbolts, 20 Series

## Standard Features:

<b>Bolt</b>	4-Way Adjustable (2 $\frac{3}{8}$ " to 2 $\frac{3}{4}$ ") square corner or drive-in backset 2-Way Adjustable (2 $\frac{3}{8}$ " to 2 $\frac{3}{4}$ ") bolts for standard or drive-in applications complete with square corner plate 3-hour UL listed adjustable bolt available where indicated
<b>Handing</b>	Non-Handed
<b>Materials</b>	Zinc, Brass, Stainless Steel, Steel
<b>Strike</b>	2 $\frac{3}{4}$ " x 1 $\frac{1}{8}$ "
<b>Door Prep</b>	1 $\frac{1}{2}$ " or 2 $\frac{1}{8}$ " diameter bore, 1" crossbore
<b>Door Thickness</b>	1 $\frac{3}{8}$ " - 1 $\frac{3}{4}$ "
<b>Keying</b>	Available in KW1, WR3, or SC1 Keyed Alike (KA4) in four or Keyed Different (KD) where indicated Rekeyable 5-pin

# Grade 3 Deadbolts, 20 Series

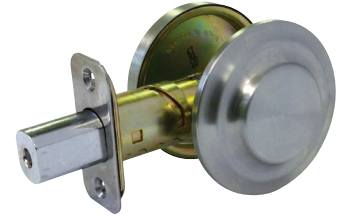
## Designs



Single Cylinder (20)  
Shown in 32D Finish

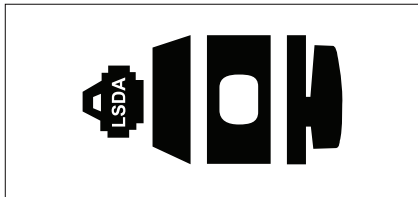


Single Sided without Cover (26)  
Shown in 3 Finish



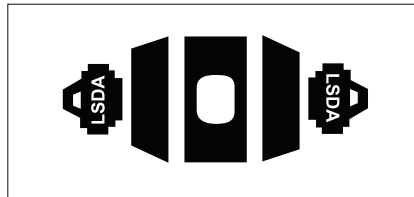
Single Sided with Cover (27)  
Shown in 32D Finish

## Functions



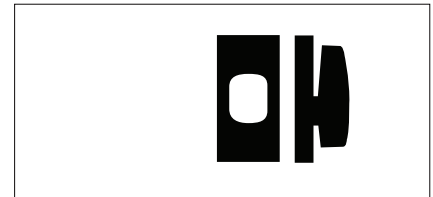
### Single Cylinder

Locked or unlocked by a thumbturn inside and a key outside



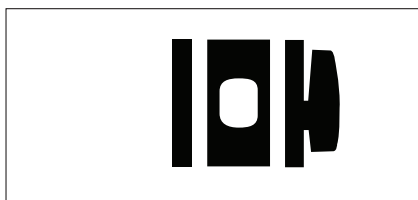
### Double Cylinder\*

Locked or unlocked by a key inside and outside



### Single Sided Deadbolt Without Outside Cover

Lock and unlock with inside thumbturn. No means of locking or unlocking from outside.



### Single Sided Deadbolt With Outside Cover

Lock and unlock with inside thumbturn. No means of locking or unlocking from outside.

\* Deadbolts that secure both sides of the door are controlled by building codes and the Life Safety Code. In an emergency exit situation, failure to quickly unlock the inside knob could be hazardous or even fatal.

# Grade 3 Deadbolts, 20 Series

## How to Order

### Single Cylinder Deadbolts

Mfr.#	Keyway	Keyed	Bolt	EZ#
<b>20 11P K KA4</b>	KW1	KA4	4-Way	<b>091350</b>
<b>20 11P W KA4</b>	WR3	KA4	4-Way	<b>091349</b>
<b>20 11P S KA4</b>	SC1	KA4	4-Way	<b>091348</b>
<b>20 15A K KA4</b>	KW1	KA4	4-Way	<b>078116</b>
<b>20 15A S KA4</b>	SC1	KA4	4-Way	<b>089887</b>
<b>20 15W KA4</b>	WR3	KA4	4-Way	<b>082752</b>
<b>20 15K KA4</b>	KW1	KA4	4-Way	<b>078117</b>
<b>20 15S KA4</b>	SC1	KA4	4-Way	<b>087802</b>
<b>20 19K KA4</b>	KW1	KA4	4-Way	<b>185801</b>
<b>20 19S KA4</b>	SC1	KA4	4-Way	<b>185802</b>
<b>20 32D K KA4</b>	KW1	KA4	4-Way	<b>035980</b>
<b>20 32D S KA4</b>	SC1	KA4	4-Way	<b>062603</b>
<b>20 32D W KA4</b>	WR3	KA4	4-Way	<b>035981</b>
<b>20 3K KA4</b>	KW1	KA4	4-Way	<b>035974</b>
<b>20 3S KA4</b>	SC1	KA4	4-Way	<b>062601</b>
<b>20 3W KA4</b>	WR3	KA4	4-Way	<b>035975</b>
<b>20 3W KD</b>	WR3	KD	4-Way	<b>050110</b>
<b>20 5K KA4</b>	KW1	KA4	4-Way	<b>035977</b>
<b>20 5S KA4</b>	SC1	KA4	4-Way	<b>062602</b>
<b>20 5W KA4</b>	WR3	KA4	4-Way	<b>035978</b>
<b>20MB3K KA4</b>	KW1	KA4	4-Way	<b>068810</b>
<b>20MB3S KA4</b>	SC1	KA4	4-Way	<b>068829</b>
<b>20MB3W KA4</b>	WR3	KA4	4-Way	<b>068811</b>
<b>20 32K KA4</b>	KW1	KA4	4-Way	<b>078118</b>

### Single Sided Deadbolt with Outside Cover

Mfr.#	Desc.	EZ#
<b>27 3</b>	Single Sided w/Cover, 3 Finish	<b>182319</b>
<b>27 11P</b>	Single Sided w/Cover, 11P Finish	<b>182320</b>

### Single Sided Deadbolt without Outside Cover

Mfr.#	Desc.	EZ#
<b>26 11P</b>	Single Sided w/o Cover	<b>107447</b>
<b>26 15</b>	Single Sided w/o Cover	<b>107446</b>
<b>26 3</b>	Single Sided w/o Cover	<b>035992</b>
<b>26 5</b>	Single Sided w/o Cover	<b>035993</b>
<b>26 32D</b>	Single Sided w/o Cover	<b>035994</b>

### Double Cylinder Deadbolts\*

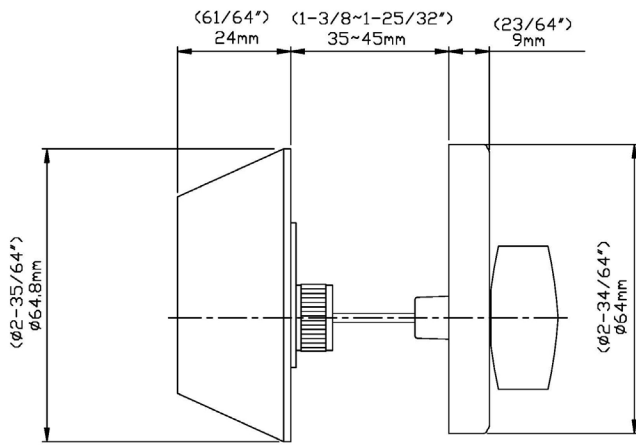
Mfr.#	Keyway	Keyed	Bolt	EZ#
<b>25 11P K KA4</b>	KW1	KA4	4-Way	<b>091353</b>
<b>25 11P S KA4</b>	SC1	KA4	4-Way	<b>091351</b>
<b>25 11P W KA4</b>	WR3	KA4	4-Way	<b>091352</b>
<b>25 15K KA4</b>	KW1	KA4	4-Way	<b>078120</b>
<b>25 15S KA4</b>	SC1	KA4	4-Way	<b>087803</b>
<b>25 15W KA4</b>	WR3	KA4	4-Way	<b>082753</b>
<b>25 19K KA4</b>	KW1	KA4	4-Way	<b>185804</b>
<b>25 19S KA4</b>	SC1	KA4	4-Way	<b>185805</b>
<b>25 32D K KA4</b>	KW1	KA4	4-Way	<b>035989</b>
<b>25 32D S KA4</b>	SC1	KA4	4-Way	<b>062606</b>
<b>25 32D W KA4</b>	WR3	KA4	4-Way	<b>035991</b>
<b>25 3K KA4</b>	KW1	KA4	4-Way	<b>035983</b>
<b>25 3S KA4</b>	SC1	KA4	4-Way	<b>062604</b>
<b>25 3W KA4</b>	WR3	KA4	4-Way	<b>035984</b>
<b>25 5K KA4</b>	KW1	KA4	4-Way	<b>035986</b>
<b>25 5S KA4</b>	SC1	KA4	4-Way	<b>062605</b>
<b>25 5W KA4</b>	WR3	KA4	4-Way	<b>035987</b>
<b>25MB3K KA4</b>	KW1	KA4	4-Way	<b>068812</b>
<b>25MB3S KA4</b>	SC1	KA4	4-Way	<b>068830</b>
<b>25MB3W KA4</b>	WR3	KA4	4-Way	<b>068813</b>

\* Deadbolts that secure both sides of the door are controlled by building codes and the Life Safety Code. In an emergency exit situation, failure to quickly unlock the inside knob could be hazardous or even fatal.

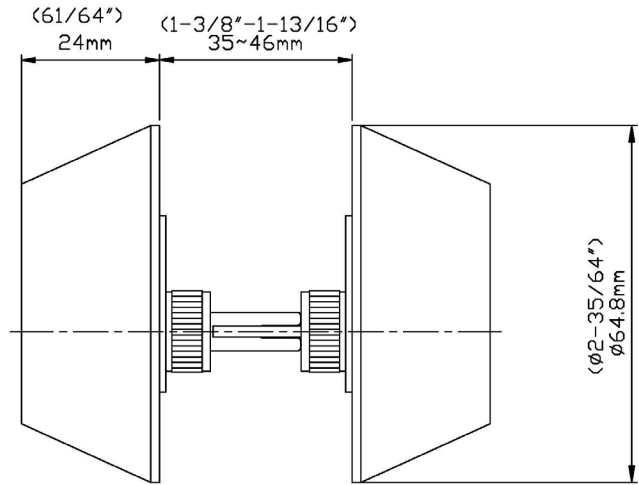
# Grade 3 Deadbolts, 20 Series

## Dimensions

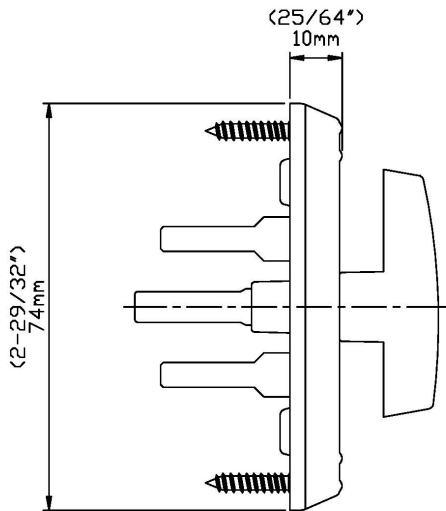
### 20-Series



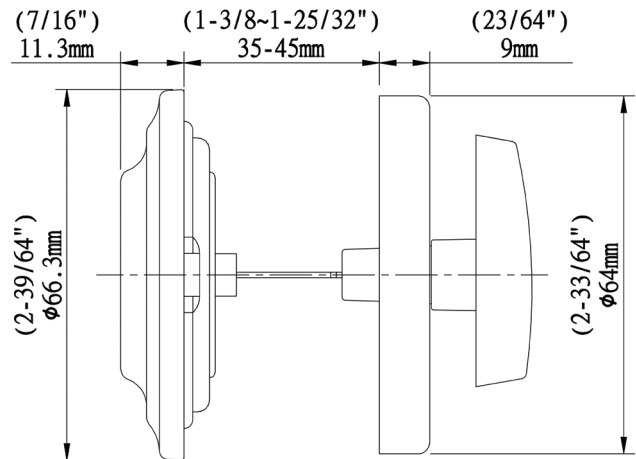
### 25-Series



### 26-Series



### 27-Series



# Grade 3 Deadbolts, 20 Series

## Parts and Accessories



### 9075N

- Drive-in Replacement Bolt
- Adjustable 2 $\frac{3}{8}$ " - 2 $\frac{3}{4}$ "
- Barrel:  $\frac{7}{8}$ "

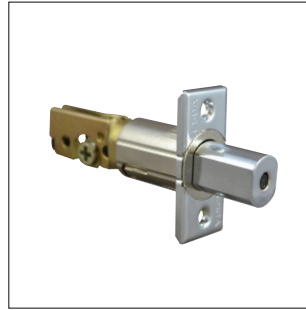
Mfr.#	EZ#
9075N32D	075407



### 9026N

- Drive-in Replacement Bolt
- Adjustable 2 $\frac{3}{8}$ " - 2 $\frac{3}{4}$ "
- Barrel: 1"

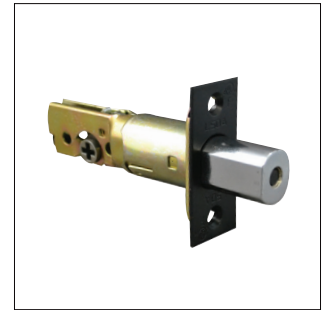
Mfr.#	EZ#
9026N	081030



### 9098N

- 4-Way Bolt
- Adjustable 2 $\frac{3}{8}$ " - 2 $\frac{3}{4}$ "
- Finishes: US32D, US5, US3, US11P

Mfr.#	EZ#
9098N32D	080758
9098N5	080757
9098N3	080756
9098N11P	109099



### 9060N

- Optional 3-Hour UL Listed Adjustable 2 $\frac{3}{4}$ " - 2 $\frac{3}{8}$ " Bolt
- Finishes: US32D, US3, US11P

Mfr.#	EZ#
9060N32D	080755
9060N3	080753
9060N11P	109100



### 9092N

- Optional Round Face Bolt for Mobile Home

Mfr.#	EZ#
9092N	081018



### 9411N3

- 2" Screw Pack for Single Cylinder Deadbolt
- Finishes: US3

Mfr.#	EZ#
9411N3	069268

# Grade 3 Deadbolts, 20 Series

## Parts and Accessories



**9611**  
 • Long Exterior Tailpiece for Double Cylinder Deadbolt



**9612**  
 • Long Interior Tailpiece for Double Cylinder Deadbolt



**9711**  
 • Long Tailpiece for Single Cylinder Deadbolt



**20CAPTOOL**  
 • 2-in-1 (12 Teeth & 14 Teeth) Cap Tool

Mfr.#	EZ#
9611	086954

Mfr.#	EZ#
9612	086955

Mfr.#	EZ#
9711	087060

Mfr.#	EZ#
20CAPTOOL	106804



**20TDP**  
 • Thick door package for Single Cylinder  
 • Includes extra long tailpieces and screws to accommodate doors 1¾" to 2¼"  
 • Finishes: Chrome (CH), Brass (BR)



**25TDP**  
 • Thick door package for Double Cylinder  
 • Includes extra long tailpieces and screws to accommodate doors 1¾" to 2¼"  
 • Finishes: Chrome (CH), Brass (BR)

Mfr.#	EZ#
20TDP CH	181439
20TDP BR	181440

Mfr.#	EZ#
25TDP CH	181443
25TDP BR	181444

# Grade 3 Deadbolts, 20 Series

## Finishes


**US3 / 505 / 605**  
Bright Brass



**US5 / 609**  
Antique Brass




**US15 / 619**  
Satin Nickel



**US15A / 620**  
Antique Nickel



**US11P / 616E**  
Venetian Bronze



**US32 / 629**  
Bright Stainless Steel



**US32D / 630**  
Satin Stainless Steel



**US19 / 622**  
Matte Black

