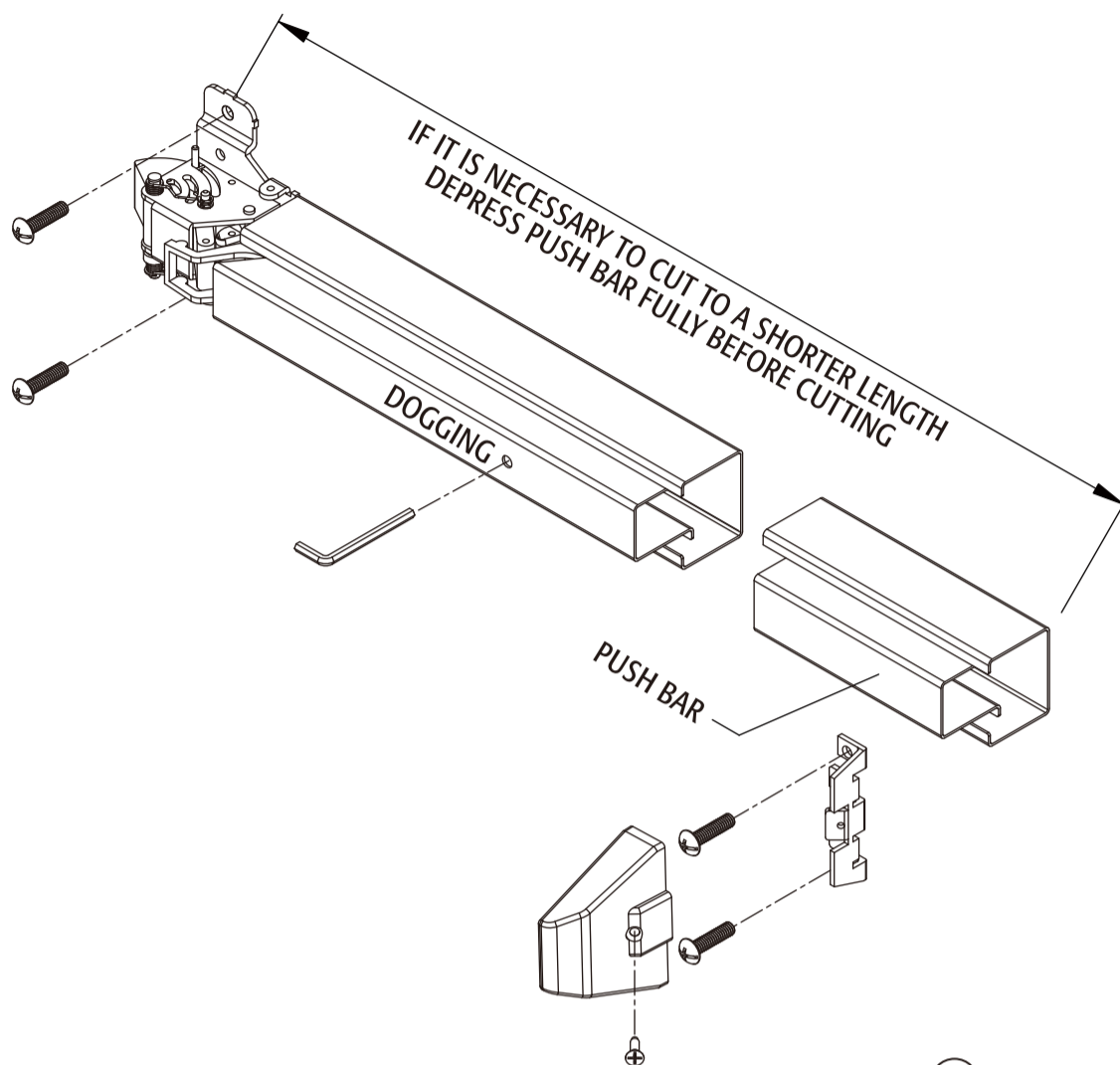
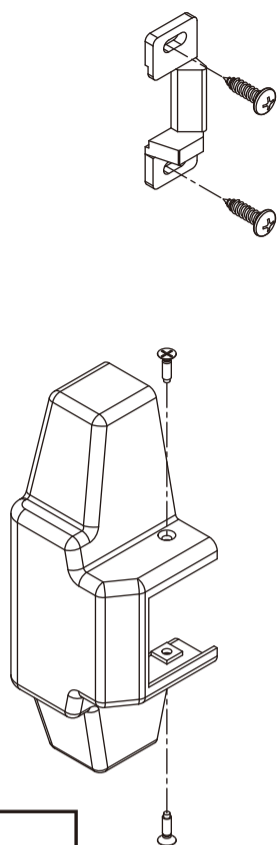


# PD922RN NARROW STILE RIM EXIT DEVICE INSTALLATION INSTRUCTION REVERSIBLE



**Dogging:**  
Depress push bar, insert dogging wrench and turn 90°. The push bar will remain depressed and the latch will remain retracted.

SCREW CHART		
Item	Qty	Fastener
Front plate assembly and rear bracket	4	10x24x3/4 Lg. pan head machine screw or #10x1-1/4 Lg. pan head tapping screws type "A"
Strike	2	10x24x3/4 Lg. pan head machine screw or #10x1-1/4 Lg. pan head tapping screws type "A"

