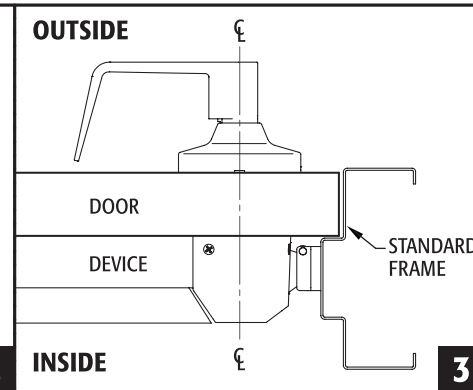
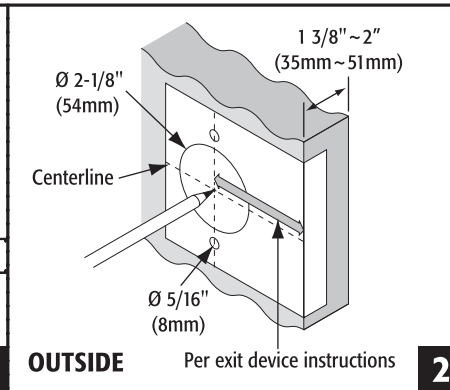
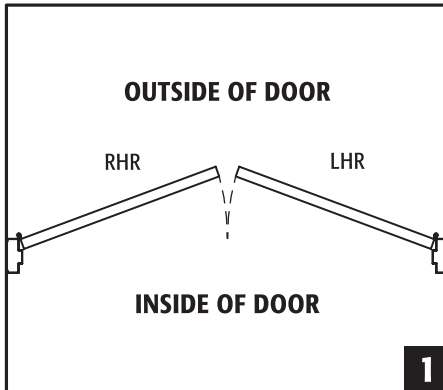
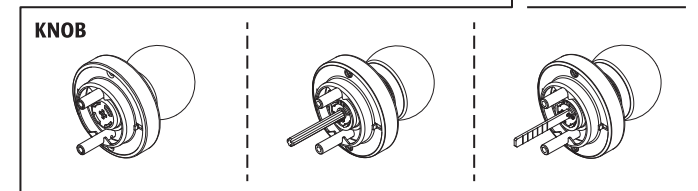
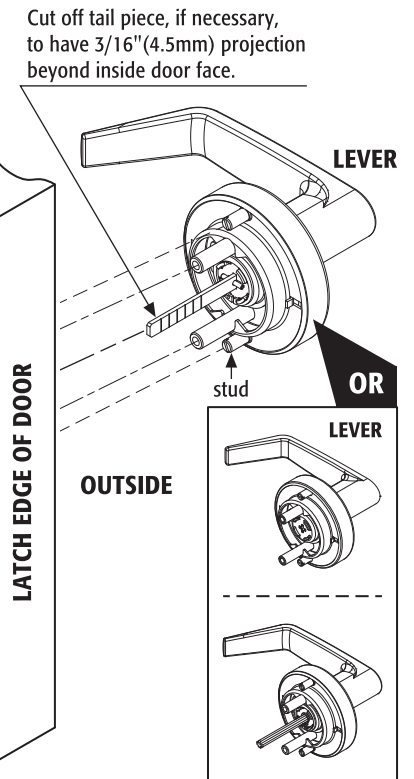
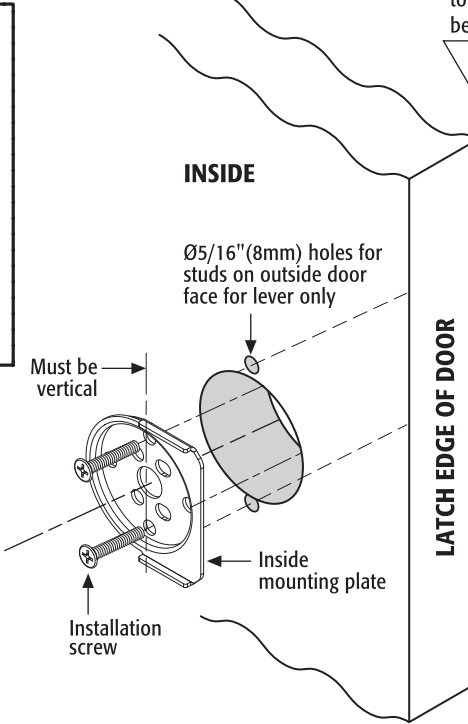
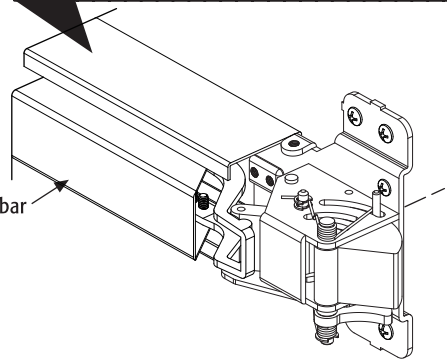
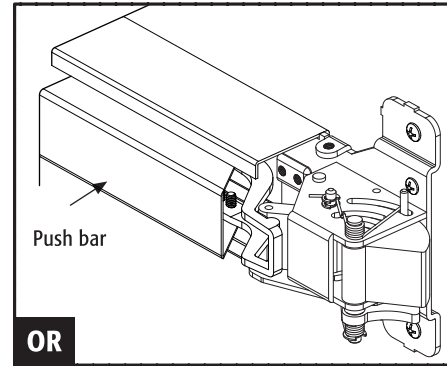
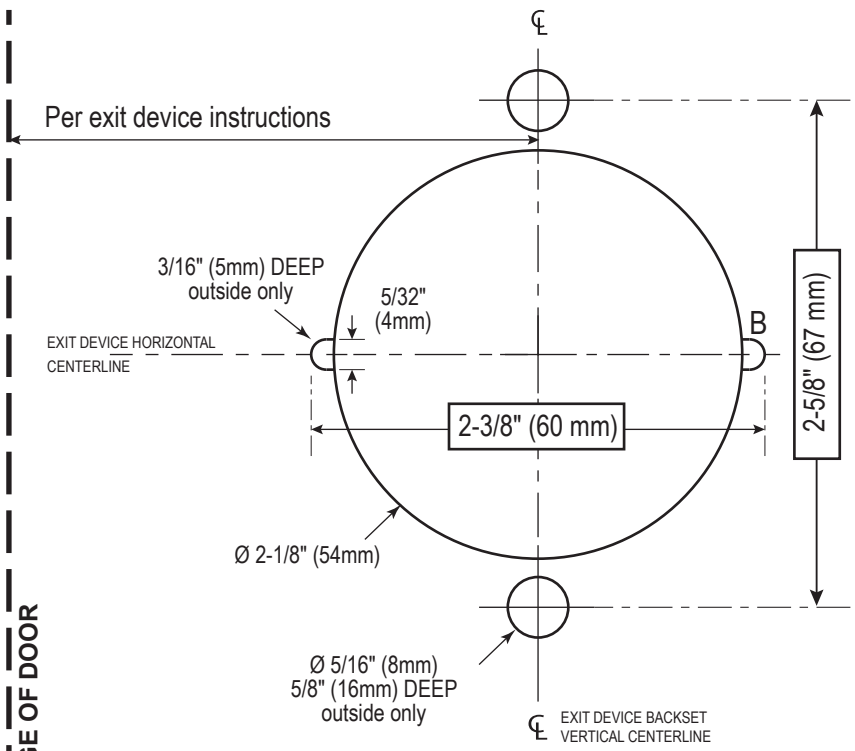


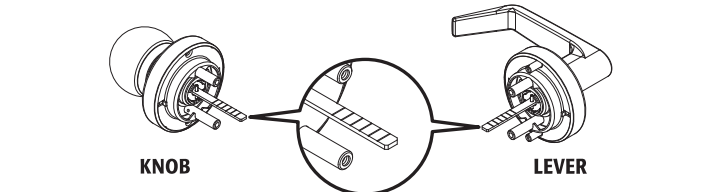
# OUTSIDE KNOB(LEVER) INSTALLATION INSTRUCTIONS

1. Follow the drilling instructions on template. Drill 2-1/8"(54mm) holes on inside and outside door faces.
2. Follow the drilling instructions on template. Drill (2) 5/16"(8mm) holes on outside door face for lever only.
3. Insert knob (or lever) tail piece through 2-1/8"(54mm) hole on outside door face.
4. Cut off tail piece,if necessary, to have 3/16"(4.5mm) projection beyond inside door face.
5. Place inside mounting plate on inside door face and tighten 2 installation screws securely.
6. Install push bar.

**Notice:** Do not remove the stud of the lever when connected with Exit Panic Device.



**! OUTSIDE KNOB(LEVER) WITH CLUTCH FUNCTION INSTALLATION INSTRUCTIONS**  
 When installing 80LS/KS in storeroom function with clutch, the tailpiece need to be horizontal to the floor as drawing show below.



EDGE OF DOOR