

Grade 2 Exit Devices PD920 Series



Overview

The PD920 Series exit devices offer solutions for a variety of openings. The PD921R is a low-profile exit device, available in rim exit or vertical rod. The PD922RN is a commercial grade rim exit device designed for narrow stile aluminum and glass doors. The PD924RF is a fire rated rim exit device, for use on wood or metal fire-rated doors. All PD920 Series exit devices are recommended for use on exterior and interior out-swinging doors.

Compliance

- UL listed panic hardware (PD921R & PD922RN) or 3-hour fire exit hardware (PD924RF) for USA and Canada

Applications

- Stores
- Office Parks
- Warehouses
- Industrial Sites



Panic: SA7474
Fire: R26113



Grade 2 Exit Devices, PD920 Series

Standard Features

Latch	Deadlocking Latch
Device Lengths	PD921R/PD924RF: 36" (32.8" actual length; can be cut back to 24.8" from head cover to end cap) or 48" (44.8" actual length; can be cut back to 36.8" from head cover to end cap) PD922RN: 38" (37.88" actual length; can be cut back to 29.8" from head cover to end cap)
Handing	Non-Handed
Material	Aluminum, Steel, Stainless Steel
Strike	Surface applied; double door strike is available
Door Types	PD921R and PD924RF: Commercial wood and hollow metal PD922RN: Narrow stile "storefront" doors
Door Prep	The device is surface applied. Various exterior trims require different preps.
Dogging	Hex Key $\frac{5}{32}$
Door Thickness	1 $\frac{3}{4}$ "
Stile Width	PD921R & PD924RF: Minimum 4 $\frac{1}{4}$ " wide stile PD922RN: Minimum 2" wide stile
Projection	Maximum 2 $\frac{1}{2}$ "
Keying	LR and KR trims come with SC4 rekeyable 6-pin cylinders and are compatible with LSDA C500 replacement cylinders, as well as many other retrofit cylinders including most high-security brands. W92, FP9240, LE9250, and TP9250 trims use mortise or rim cylinders in any keyway.

Grade 2 Exit Devices, PD920 Series

How to Order

Rim Exit Device

Mfr.#	Desc.	EZ#
PD921R AL	Rim, 36"	085490
PD921R DU	Rim, 36"	085491
PD921R32D	Rim, 36"	091336
PD921R48AL	Rim, 48"	103596
PD921R48DU	Rim, 48"	103597
PD922RN AL	Rim, 38", f/Narrow Stile	091332
PD922RN DU	Rim, 38", f/Narrow Stile	091333
PD924RF36 AL	Fire Rated, Rim, 36"	183436
PD924RF36 DU	Fire Rated, Rim, 36"	183437

Vertical Rod Exit Device

Mfr.#	Desc.	EZ#
PD921V AL	Vertical Rod, 36"	085492
PD921V DU	Vertical Rod, 36"	085493
PD921V32D	Vertical Rod, 36"	091337
PD921V48AL	Vertical Rod, 48"	103598
PD921V48DU	Vertical Rod, 48"	103599



Grade 2 Exit Devices, PD920 Series

Designs



PD921R Rim Exit Device
Shown in AL Finish



PD922RN Rim Exit Device
Shown in DU Finish



PD924RF Rim Exit Device
Shown in AL Finish



PD921V Vertical Rod Exit Device
Shown in 32D Finish

Grade 2 Exit Devices, PD920 Series

Trim



KR9240/KR9250

- Key-in-Knob Trim
- Sold with SC4 rekeyable 6-pin cylinder, compatible with LSDA C500 cylinders and many other retrofit cylinders, for PD921R and PD924RF
- KR9240 is Storeroom Function
- KR9250 is Classroom Function
- Finish: US32D or US13

Mfr.#	EZ#
KR9240 32D	085494
KR9240 13	085495
KR9250 32D	085496
KR9250 13	085497



LR9240/LR9250:

- Key-in-Lever Trim
- Sold with SC4 rekeyable 6-pin cylinder, compatible with LSDA C500 cylinders and many other retrofit cylinders, for PD921R and PD924RF
- LR9240 is Storeroom Function
- LR9250 is Classroom Function
- Finish: US26D or US13

Mfr.#	EZ#
LR9240 26D	085498
LR9240 13	085499
LR9250 26D	085500
LR9250 13	085501



LRC9240/LRC9250

- Lever Exit Trim
- Sold with SC4 rekeyable 6-pin cylinder, compatible with LSDA C500 cylinders and many other retrofit cylinders for PD921R and PD924RF
- LRC9240 is Storeroom Function with Clutch
- LRC9250 is Classroom Function with Clutch
- Finish: US26D

Mfr.#	EZ#
LRC9240S26D	106329
LRC9250S26D	106330



LRC9240SFIC/LRC9250SFIC

- Lever Exit Trim
- Small Format Interchangeable Core (SFIC), for PD921R and PD924RF
- LRC9240SFIC is Storeroom Function with Clutch
- LRC9250SFIC is Classroom Function with Clutch
- Finish: US26D

Mfr.#	EZ#
LRC9240SFIC26D	102359
LRC9250SFIC26D	102360



LE9250

- Exit Trim for Narrow Stile Door, comes with rekeyable Mortise Cylinder, for PD922RN
- Keyed SC4, 6-Pin
- Used 1 1/8" Mortise Cylinder
- Dimensions: 6 3/4"H x 1 1/2"W x 3/4"D
- Finish: US26D or US13

Mfr.#	EZ#
LE9250 13	091339
LE9250 26D	091338



TP9250

- Thumb Piece Exit Trim
- Classroom function
- For PD921R and PD924RF
- Uses SC4 keyway KIL cylinder (included), rekeyable
- Compatible with LSDA C500 and other retrofit cylinders in various keyways
- Handing: Left Hand Reverse (LHR); Right Hand Reverse (RHR); Reversible (REV)
- Finish: US32D

Mfr.#	EZ#
TP9250 32D LHR	100775
TP9250 32D RHR	100776
TP9250 32D REV	108757

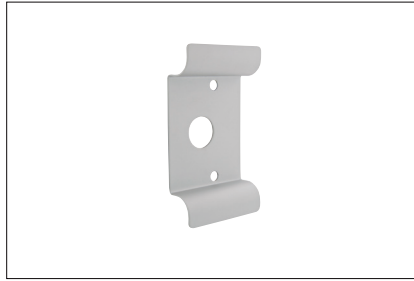
Grade 2 Exit Devices, PD920 Series

Trim



NLP9240

- Night latch pull plate with handle
- For PD921R & PD924RF
- Uses 1½" rim cylinder (included), SC4 Keyway, rekeyable.
- Handing: Reversible (REV)
- Finishes: US32D



W92

- Exit Trim,
- Wing Pull Plate
- Sold Less 1½" Rim Cylinder, for PD921R and PD924RF
- Finish: Aluminum (AL) or Durototic (DU)



FP9240

- Exit Trim Finger Pull Nightlatch
- Uses 1½" Rim Cylinder, for PD922
- Finish: US32D or US13

Mfr.#	EZ#
NLP9240 32D REV	108756

Mfr.#	EZ#
W92AL	085502
W92DU	085503

Mfr.#	EZ#
FP9240 32D	091340
FP9240 13	091341

Mullions



FRKRM Mullions

- Mullions, 7' or 8'
- Rim Cylinder: Use a 1¼" solid brass 6-pin rim cylinder, sold separately
- Top Bracket: Stainless steel, using key allows the mullion to be removed in seconds. Mullion can be locked in top bracket easily without using the key.
- Bottom Bracket: Stainless steel, fixed by 4 hex bolts with stainless steel anchors
- Shims: ½" and ¾" shims included
- Strike: Uses two sets of Rim Mullion Fire Strikes and Fire Strike Hooks, included
- Fasteners: Includes:
 - Set of Flat Head Machine Screws, #5/16-18x1½" with 2 pieces
 - Set of Flat Head Machine Screws, #5/16-18x5/8" with 4 pieces
 - Set of Hex Head Machine Screws, #5/16-18x1¼" with 4 pieces
 - Set of Expansion Anchors ½" Dia x 1½" Long with 4 pieces, Steel
- Mullions sold complete with Brackets, Strikes, Screws, Shims, and Expansion Anchors
- Finish: Prime Clear Coat (USP) or Matte Black Coated (BLK)

Mullions Part Kit

- FRKRM PARTS KIT: Replacement Screw Pack and Parts Kit for Mullions

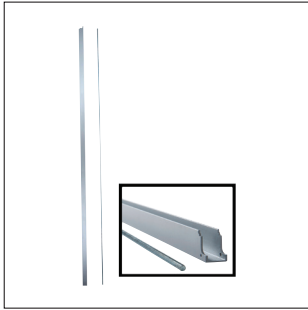
Mullions Brackets

- FRKM KBA23-0132-01: Replacement Top & Bottom Brackets for Mullions, Sold Less Screws

Mfr.#	EZ#	Mfr.#	EZ#
FRKRM7USP	183671	FRKRM PARTS KIT	186093
FRKRM8USP	183672	FRKM KBA23-0132-01	186621
FRKRM7BLK	185908		
FRKRM8BLK	185909		

Grade 2 Exit Devices, PD920 Series

Parts and Accessories



PDROD8

- Replacement Top Rods, Allows for Doors 8'
- Finishes: Aluminum (AL) or Duronotic (DU)

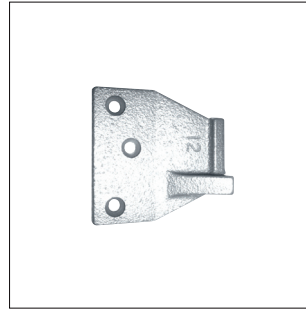
Mfr.#	EZ#
PDROD8AL	109120
PDROD8DU	109121



SS921

- Standard Rim Strike, for PD921R and PD924RF, not Fire Rated
- Finish: Aluminum (AL)

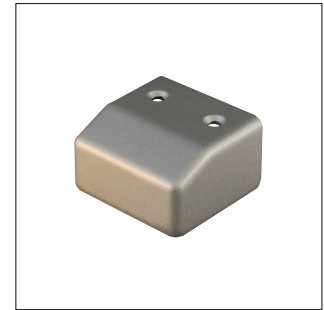
Mfr.#	EZ#
SS921AL	104487



DDS921

- Double Door Strike, for PD921R
- Finish: Aluminum (AL)

Mfr.#	EZ#
DDS921AL	101791



EC921

- End Cap, for PD921R, PD922RN, and PD924RF
- Finish: Aluminum (AL)

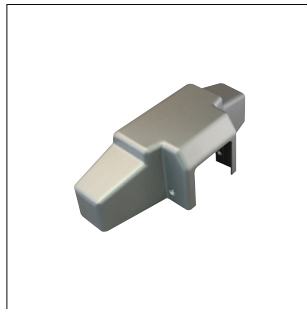
Mfr.#	EZ#
EC921AL	101449



PDDOGPREP

- Dogging Assembly

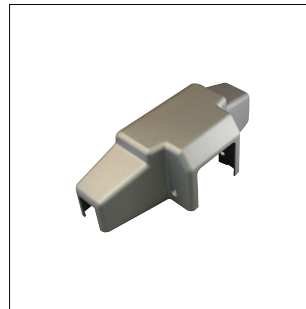
Mfr.#	EZ#
PDDOGREP	180527



HC921R

- Head Cover, Rim Exit Device, for PD921R
- Finish: Aluminum (AL)

Mfr.#	EZ#
HC921R AL	101450



HC921V

- Head Cover, Vertical Rod Exit Device, for PD921V
- Finish: Aluminum (AL)

Mfr.#	EZ#
HC921V AL	101451

Grade 2 Exit Devices, PD920 Series

Finishes



Handing

