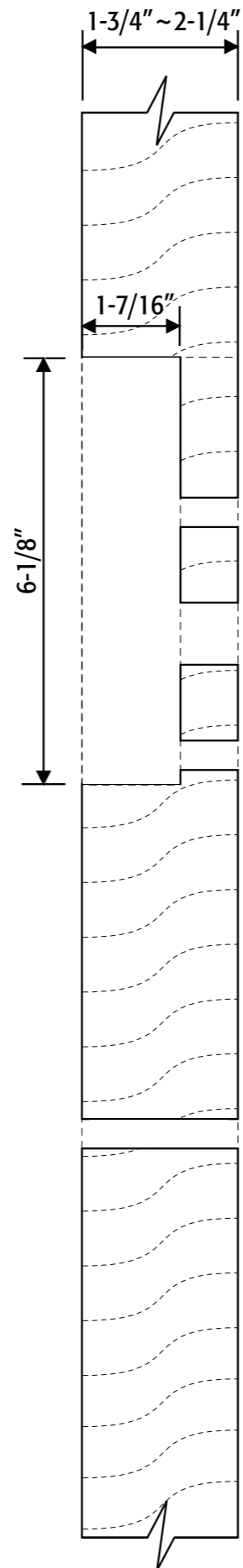
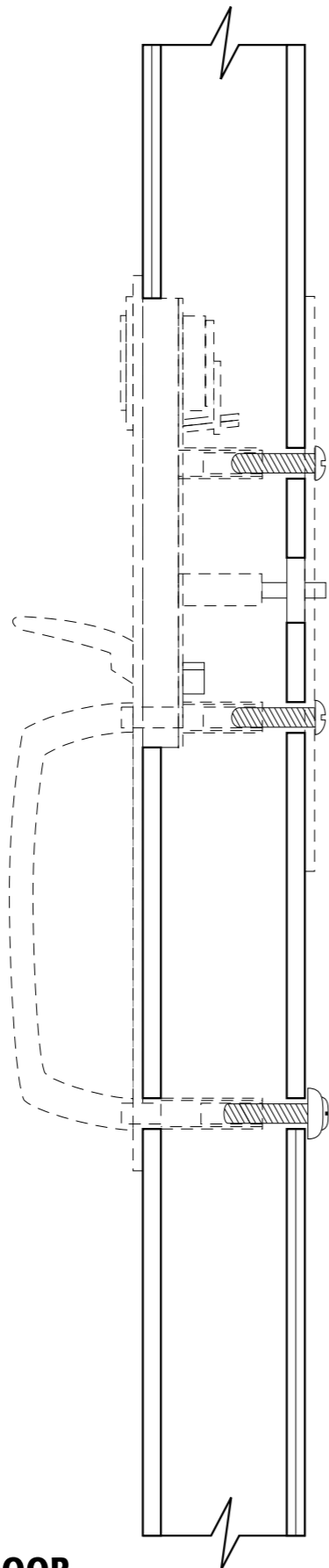
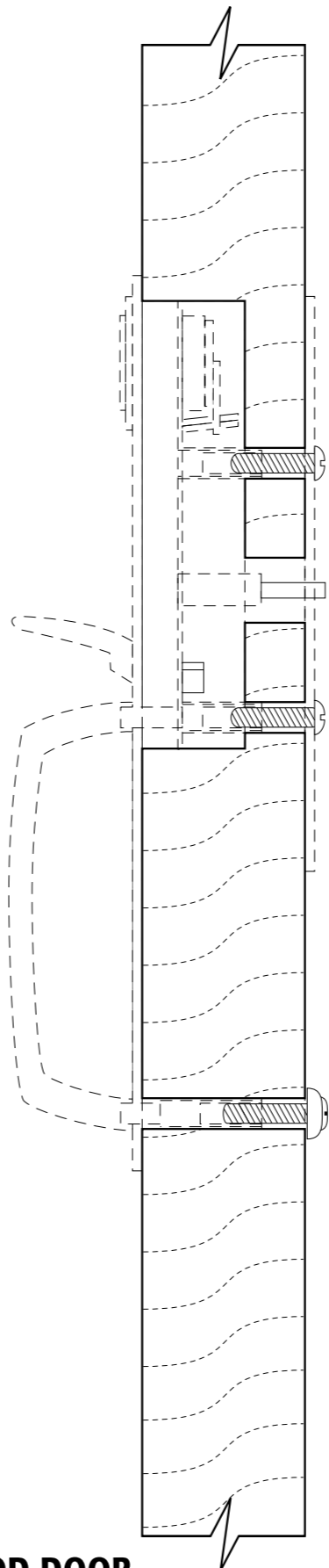


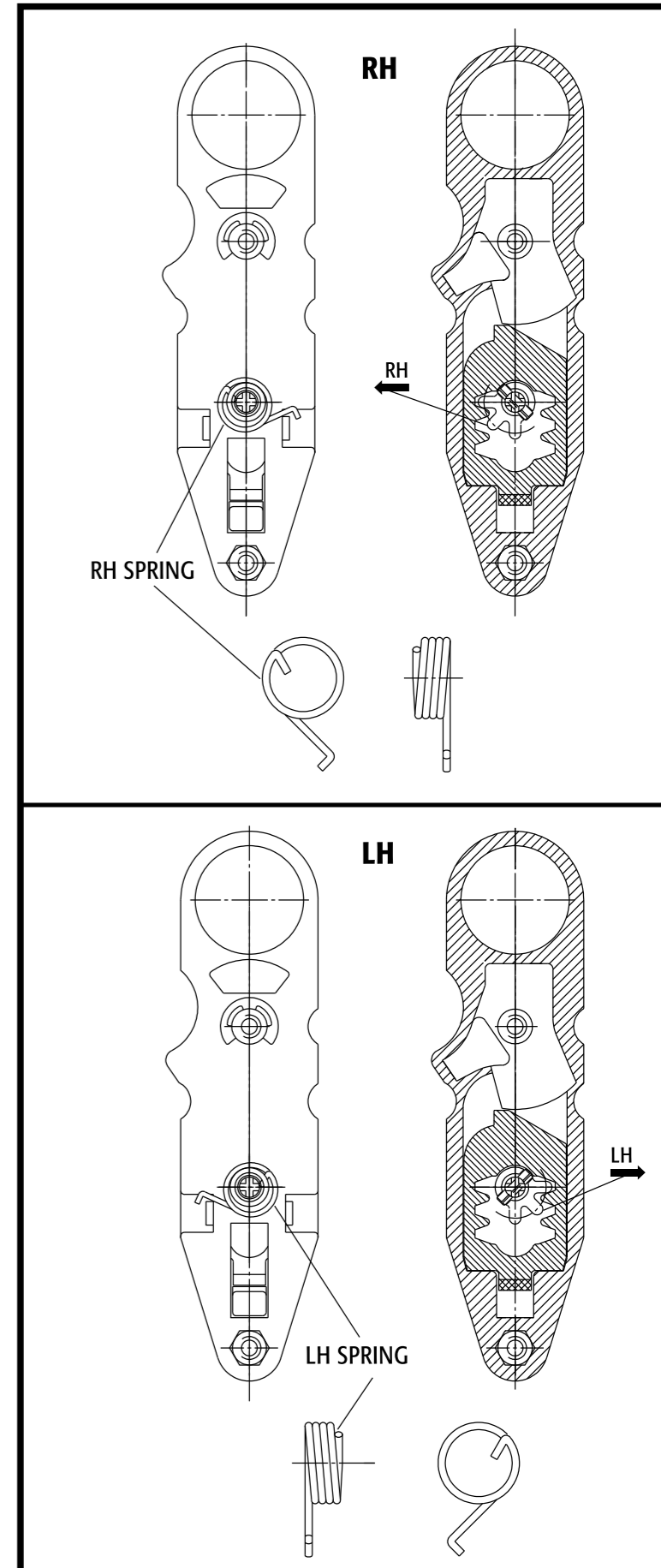
METAL DOOR

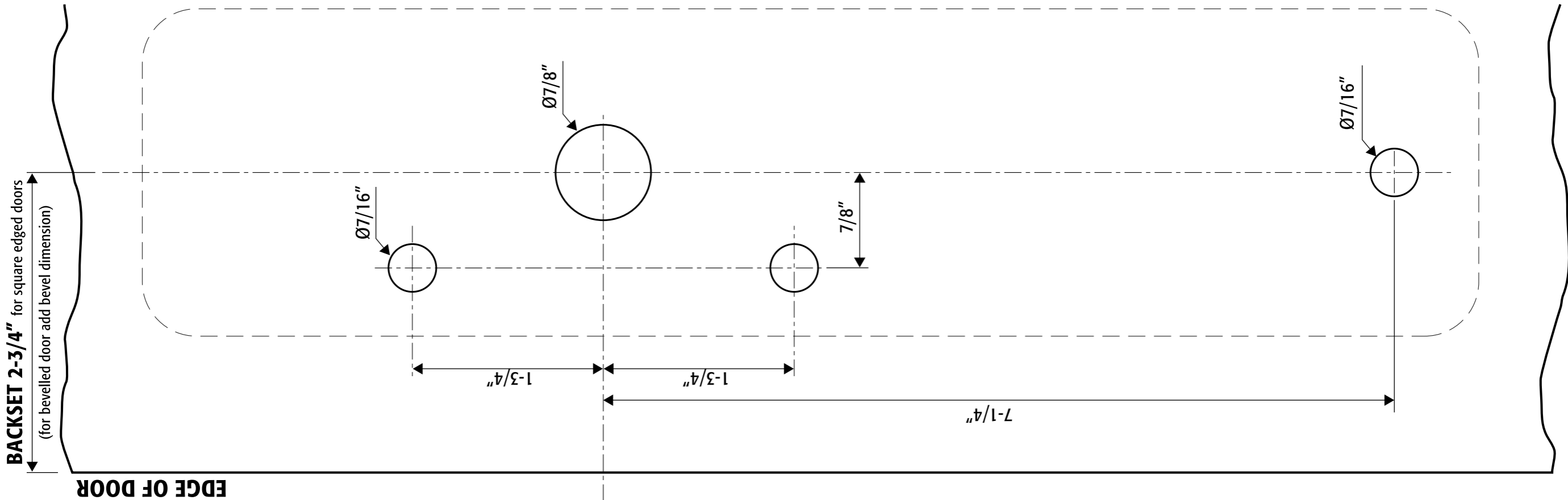


WOOD DOOR



Depend on the right or left opening door, you should change the gear and spring accordingly the drawing.





40-5/16" TO FINISHED FLOOR

