

EDGE OF DOOR

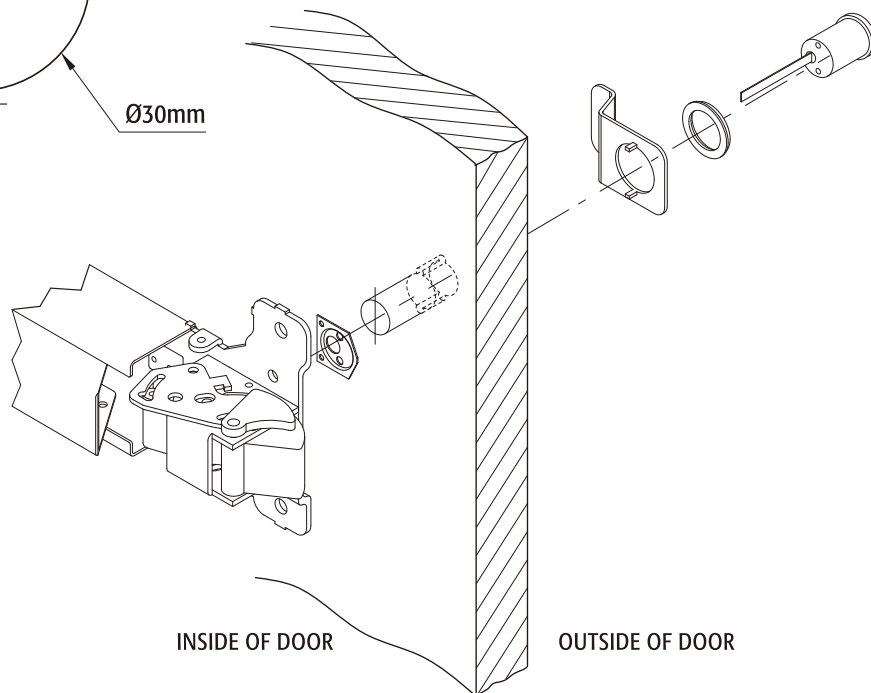
Per exit device instructions

Please refer to the exit panic device to  
determine the position of center of cylinder2- $\varnothing$ 4.7 x depth 9.5mm

33.5mm

 $\varnothing$ 30mm**FP9240 TEMPLATE**

1. Drill a  $\varnothing$ 30 diameter hole for cylinder installation on the door.
2. Drill the 2- $\varnothing$ 4.7x9.5mm depth holes for the pull plate on the door.
3. Make sure the operations of cylinder and exit device are no problem.



INSIDE OF DOOR

OUTSIDE OF DOOR