

# Grade 1 Exit Devices PD9000 Series



## Overview

The PD9000 Series are designed to meet the need of a modern touch bar style for heavy traffic applications by eliminating the need for lever arms and cross bars. These devices are recommended for use on exterior and interior out-swinging doors.

## Compliance

- ANSI/BHMA A156.3 2008 Grade 1
- UL listed panic- (SA7474) and fire-rated (R26113) for USA and Canada

## Applications

- Hospitals
- Office Spaces
- Schools
- Industrial Sites
- Government Buildings
- Places of Assembly



Panic: SA7474  
Fire: R26113



# Grade 1 Exit Devices, PD9000 Series

## Standard Features

<b>Latch</b>	Rim: Deadlocking latch, stainless steel $\frac{3}{4}$ " throw Vertical Rod: Top latch is $\frac{5}{8}$ " throw, can be deadlocked automatically; Bottom latch is $\frac{5}{8}$ " throw, held retracted during door swing
<b>Device Lengths</b>	36" (33" actual length; can be cut back to 26" from head cover to end cap) 48" (45" actual length; can be cut back to 33" from head cover to end cap)
<b>Handing</b>	Non-Handed
<b>Material</b>	High rust-resistant coating or heavy electroplated steel
<b>Strike</b>	For Rim, surface applied For Vertical Rod Strikes, surface applied top, mortise required for bottom strike
<b>Door Types</b>	Commercial wood and hollow metal
<b>Door Prep</b>	Surface application, plus trim prep Door height for Vertical Rod is standard 7'0". Device comes equipped for use on either 7'0" or 8'0" doors.
<b>Dogging</b>	Standard dogging by $\frac{5}{32}$ hex wrench
<b>Door Thickness</b>	1 $\frac{3}{4}$ "
<b>Stile Width</b>	Minimum 2 $\frac{7}{8}$ "
<b>Projection</b>	Pushbar Neutral of 3 $\frac{1}{16}$ " Pushbar Depressed of 2 $\frac{19}{32}$ "
<b>Keying</b>	Outside trims use conventional mortise or rim cylinders

# Grade 1 Exit Devices, PD9000 Series

## How to Order

### Rim Exit Device

Mfr.#	Desc.	EZ#
<b>PD9000R32D36</b>	Rim Exit Device, 36"	<b>107058</b>
<b>PD9000R32D48</b>	Rim Exit Device, 48"	<b>107059</b>
<b>PD9000R19 36</b>	Rim Exit Device, 36"	<b>187160</b>
<b>PD9000R19 48</b>	Rim Exit Device, 48"	<b>187161</b>
<b>PDF9000R32D36</b>	Rim Exit Device, Fire Rated, 36"	<b>107060</b>
<b>PDF9000R32D48</b>	Rim Exit Device, Fire Rated, 48"	<b>107063</b>

### Vertical Rod Exit Device

Mfr.#	Desc.	EZ#
<b>PD9000V32D36</b>	Vertical Rod Exit Device, 36"	<b>107064</b>
<b>PD9000V32D48</b>	Vertical Rod Exit Device, 48"	<b>107065</b>
<b>PD9000V19 36</b>	Vertical Rod Exit Device, 36"	<b>187162</b>
<b>PD9000V19 48</b>	Vertical Rod Exit Device, 48"	<b>187163</b>
<b>PDF9000V32D36</b>	Vertical Rod Exit Device, Fire Rated, 36"	<b>107066</b>

## Designs



PD9000R Rim Exit Device  
Shown in 32D Finish



PD9000V Vertical Rod Exit Device  
Shown in 32D Finish

# Grade 1 Exit Devices, PD9000 Series

## Trim



### PDT41

- Exit Trim
- Classroom Lever
- Uses 1¼" Mortise Cylinder (not included)
- Finish: US26D, US19

Mfr.#	EZ#
PDT41 26D	107068
PDT41 19	187164



### PDT42

- Exit Trim
- Storeroom Lever
- Uses 1¼" Rim Cylinder (not included)
- Finish: US26D, US19

Mfr.#	EZ#
PDT42 26D	107069
PDT42 19	187165



### PDT43

- Exit Trim
- Classroom Lever with Clutch Function
- Uses 1¼" Mortise Cylinder (not included)
- Finish: US26D, US19

Mfr.#	EZ#
PDT43 26D	107070
PDT43 19	187166



### PDT49

- Exit Trim
- Passage Lever
- Finish: US32D

Mfr.#	EZ#
PDT49 32D	109438



### PDT46

- Exit Trim, Thumbpiece Plate
- Classroom Function
- Uses 1¼" Mortise Cylinder (not included)
- Finish: US32D

Mfr.#	EZ#
PDT46 32D	107071



### PDT47

- Exit Trim, Pull Plate
- Storeroom Function
- Uses 1¼" Rim Cylinder (not included)
- Includes Cylinder Cup
- Finish: US32D, US19

Mfr.#	EZ#
PDT47 32D	107072
PDT47 19	187170



### PDT48

- Exit Trim, Wing Pull
- Storeroom Function
- Uses 1¼" Rim Cylinder (not included)
- Includes Cylinder Cup & Sex Nut Bolts
- Finish: US32D, US19

Mfr.#	EZ#
PDT48 32D	107073
PDT48 19	187171



### PDT40FSE

- Electric Trim, Fail Secure
- 12V or 24V
- Can be used with PDEPT (EZ# 107044)
- Uses 1¼" Mortise Cylinder (not included)
- Finish: US26D

Mfr.#	EZ#
PDT40FSE12V26D	183178
PDT40FSE24V26D	183179

# Grade 1 Exit Devices, PD9000 Series

## Trim



### PDT44

- Exit Trim
- Classroom, Key in Lever
- SC4 Keyway
- Finish: US26D, US19

Mfr.#	EZ#
PDT44SC26D	108123
PDT44SC19	187167



### PDT45

- Exit Trim
- Storeroom, Key in Lever
- SC4 Keyway
- Finish: US26D, US19

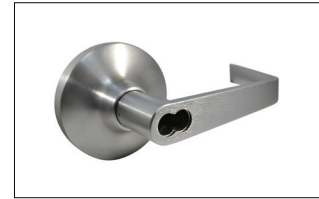
Mfr.#	EZ#
PDT45SC26D	108125
PDT45SC19	187168



### PDT44SFIC

- Exit Trim
- Classroom, SFIC Prep
- Less Core
- Finish: US26D

Mfr.#	EZ#
PDT44SFIC LC26D	108124



### PDT45SFIC

- Exit Trim
- Storeroom, SFIC Prep
- Less Core
- Finish: US26D, US19

Mfr.#	EZ#
PDT45SFIC LC26D	108126
PDT45SFIC LC19	187169

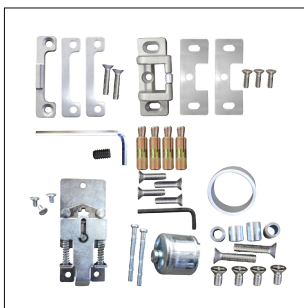
## Mullions



Mfr.#	EZ#	Mfr.#	EZ#
FRKRM7USP	183671	FRKRM7BLK	185908
FRKRM8USP	183672	FRKRM8BLK	185909

### FRKRM

- Mullions, 7' or 8'
- Rim Cylinder: Use a 1 1/4" solid brass 6-pin rim cylinder, sold separately
- Top Bracket: Stainless steel, using key allows the mullion to be removed in seconds. Mullion can be locked in top bracket easily without using the key.
- Bottom Bracket: Stainless steel, fixed by 4 hex bolts with stainless steel anchors
- Shims: 1/2" and 3/8" shims included
- Strike: Uses two sets of Rim Mullion Fire Strikes and Fire Strike Hooks, included
- Fasteners: Includes:
  - Set of Flat Head Machine Screws, #5/16-18x1 1/2" with 2 pieces
  - Set of Flat Head Machine Screws, #5/16-18x3/8" with 4 pieces
  - Set of Hex Head Machine Screws, #5/16-18x1 1/4" with 4 pieces
  - Set of Expansion Anchors 1/2" Dia x 1 1/2" Long with 4 pieces, Steel
- Mullions sold complete with Brackets, Strikes, Screws, Shims, and Expansion Anchors
- Finish: Prime Clear Coat (USP) or Matte Black Coated (BLK)



### MULLION PARTS KIT

- Replacement Screw Pack and Parts Kit for Mullions

Mfr.#	EZ#
FRKRM PARTS KIT	186093



### MULLION BRACKETS

- Replacement Top & Bottom Brackets for Mullions, Sold Less Screws

Mfr.#	EZ#
FRKM KBA23-0132-01	186621

# Grade 1 Exit Devices, PD9000 Series

## Parts & Accessories



### PD9000CDK

- Cylinder Dogging Kit for 36" exit device
- Uses 1 1/4" Mortise Cylinder (not included)
- Finish: US32D

Mfr.#	EZ#
<b>PD9000CDK32D36</b>	<b>107074</b>



### PD9000AK

- Exit Alarm Kit for 36" exit device
- Uses 1 1/4" Mortise Cylinder (not included)
- Finish: US32D

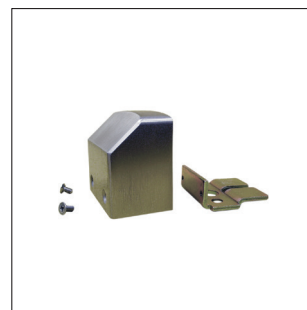
Mfr.#	EZ#
<b>PD9000AK32D36</b>	<b>107075</b>



### PD90DBLSTK

- Double Door Strike

Mfr.#	EZ#
<b>PD90DBLSTK32D</b>	<b>108512</b>



### PD9000CAP

- Exit Device End cap for PD9000

Mfr.#	EZ#
<b>PD9000CAP</b>	<b>182353</b>



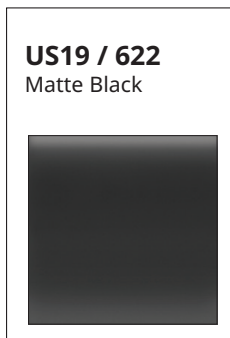
### PDFIREBOLT

- Used on Fire-Rated Exit Devices that are installed without a bottom rod (LBR)

Mfr.#	EZ#
<b>PDFIREBOLT</b>	<b>183549</b>

# Grade 1 Exit Devices, PD9000 Series

## Finishes



## Handing

