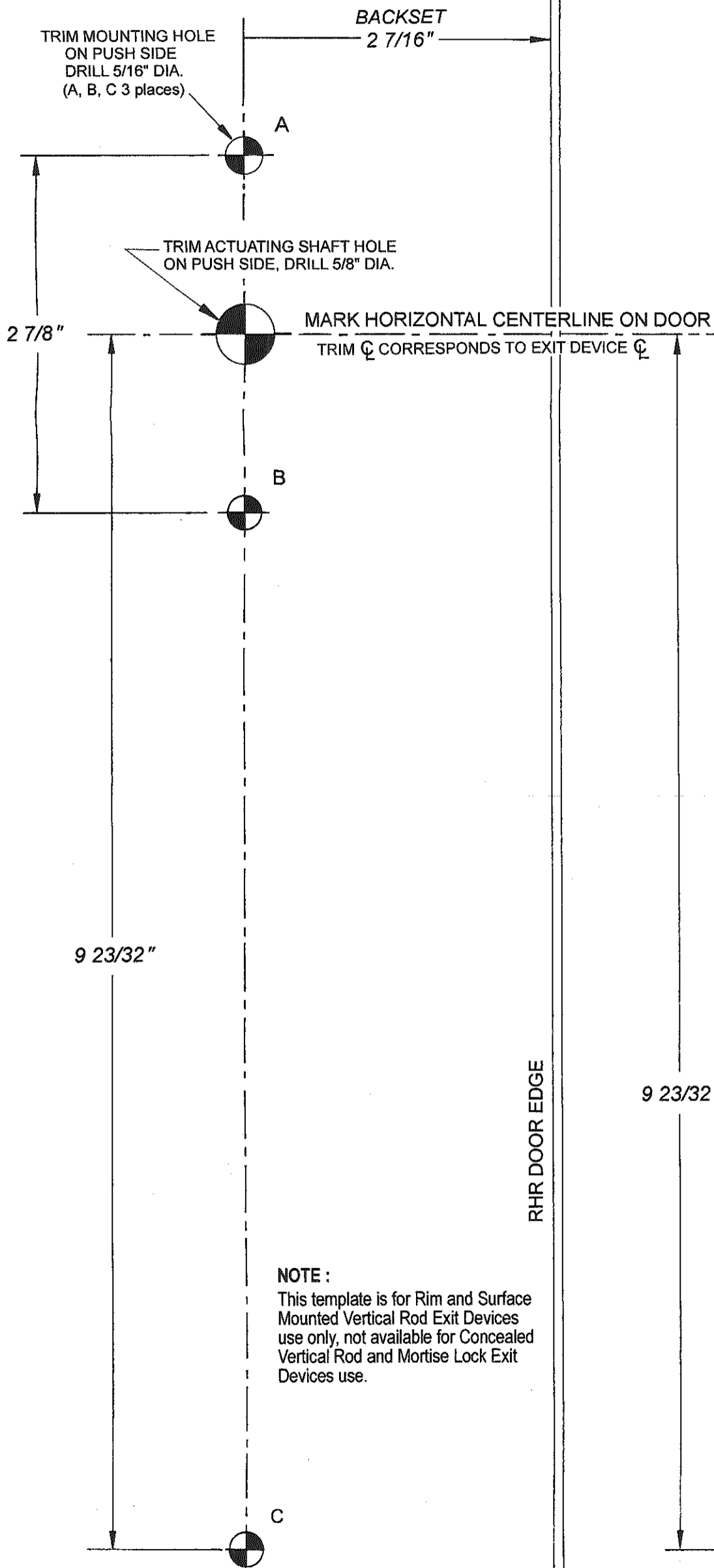


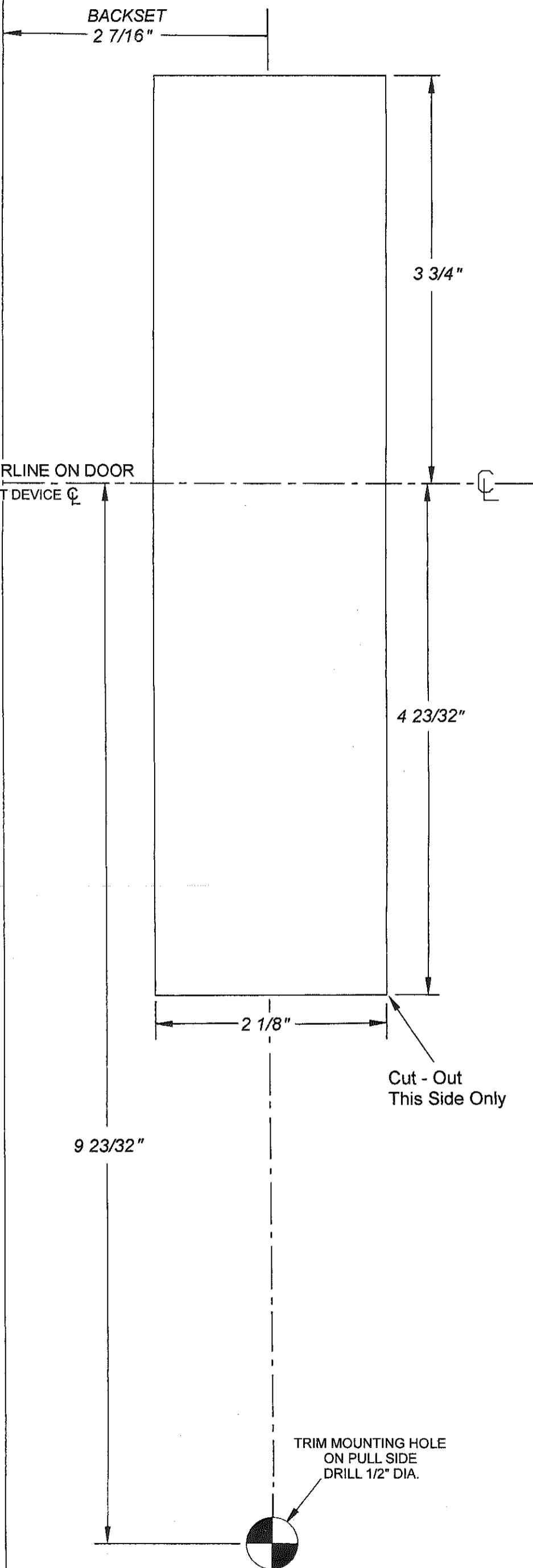
**FOR RHR DOOR**



RHR DOOR EDGE

**NOTE :**  
 This template is for Rim and Surface Mounted Vertical Rod Exit Devices use only, not available for Concealed Vertical Rod and Mortise Lock Exit Devices use.

INSIDE FACE OF DOOR



OUTSIDE FACE OF DOOR

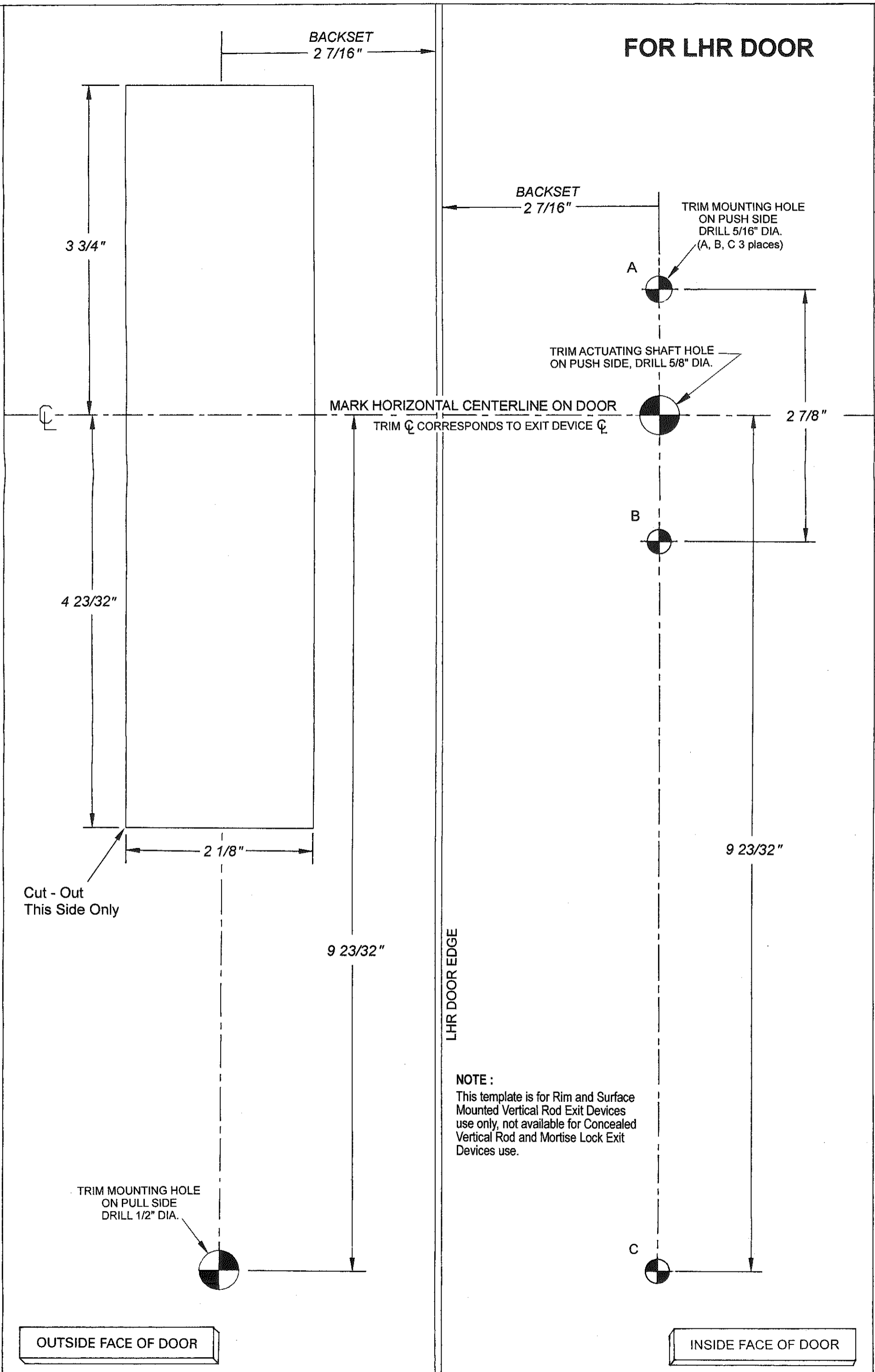
**Simple Instructions :**

1. Install a Mortise Cylinder with supplied Cylinder Holding Nut.

• For single door and double door with mullion use, the backset 2 - 7/16" is to face of stop.

# TEMPLATE (Pull Plate with Thumbpiece)

FOR USE WITH ANSI GRADE 1 WIDE STILE RIM OR SVR EXIT DEVICE



**Simple Instructions :**  
1. Install a Mortise Cylinder with supplied Cylinder Holding Nut.

• For single door and double door with mullion use, the backset 2 - 7/16" is to *face of stop*.