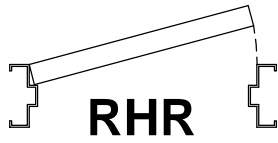


PD9100R & PD9100V EXIT DEVICE TEMPLATE



☉ DEVICE

LINE X-X IS A REFERENCE LINE FOR TRIM AND EXIT DEVICE ALIGNMENT. LINE X-X SHOWN HERE SHOULD CORRESPOND TO LINE X-X IN THE TRIM INSTALLATION INSTRUCTIONS

1/4"

X

CENTER CASE - 2 HOLES

SURFACE MOUNT	
METAL	
#25 DRILL	#10-24 TAP
WOOD	
1/8" DRILL	PILOT 1" DEEP

CUT-OUT DEVICE SIDE ONLY 5/8" DEEP FOR WOOD DOOR

3-1/8"

23/32"

ALIGN THIS LINE WITH EDGE OF STRIKE OR ROLLER

☉ DEVICE

1-31/32" - 1-1/2"

3-1/8"

RADIUS 1/8"

1"

19/32"

27/32"

CENTER CASE - 2 HOLES

SURFACE MOUNT	SEX BOLTS OR TRIM
METAL	METAL
#7 DRILL #1/4"-20 TAP	5/16" DRILL INSIDE 13/32" DRILL (SEX BOLTS) 1/2" DRILL OUTSIDE (TRIM)
	WOOD
	13/32" DRILL THRU (SEX BOLTS) 1/2" DRILL THRU (TRIM)

NOT TO SCALE

X

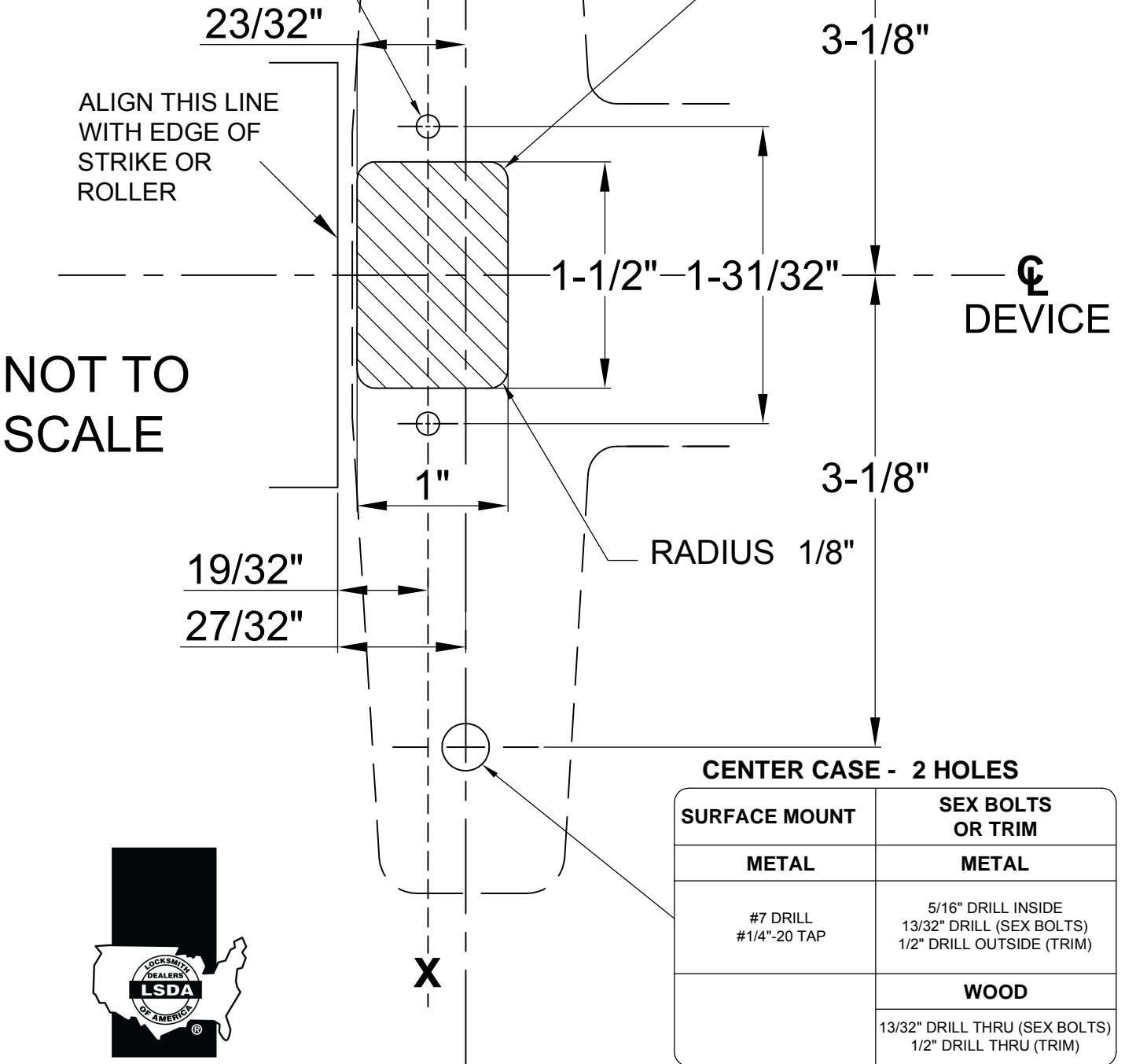
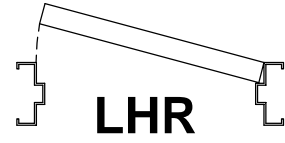


PD9100R & PD9100V EXIT DEVICE TEMPLATE

LINE X-X IS A REFERENCE LINE FOR TRIM AND EXIT DEVICE ALIGNMENT. LINE X-X SHOWN HERE SHOULD CORRESPOND TO LINE X-X IN THE TRIM INSTALLATION INSTRUCTIONS

CENTER CASE - 2 HOLES

SURFACE MOUNT	
METAL	
#25 DRILL	#10-24 TAP
WOOD	
1/8" DRILL	PILOT 1" DEEP



CENTER CASE - 2 HOLES	
SURFACE MOUNT	SEX BOLTS OR TRIM
METAL	METAL
#7 DRILL #1/4"-20 TAP	5/16" DRILL INSIDE 13/32" DRILL (SEX BOLTS) 1/2" DRILL OUTSIDE (TRIM)
	WOOD
	13/32" DRILL THRU (SEX BOLTS) 1/2" DRILL THRU (TRIM)