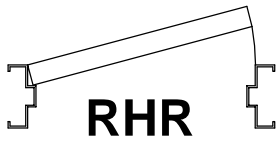


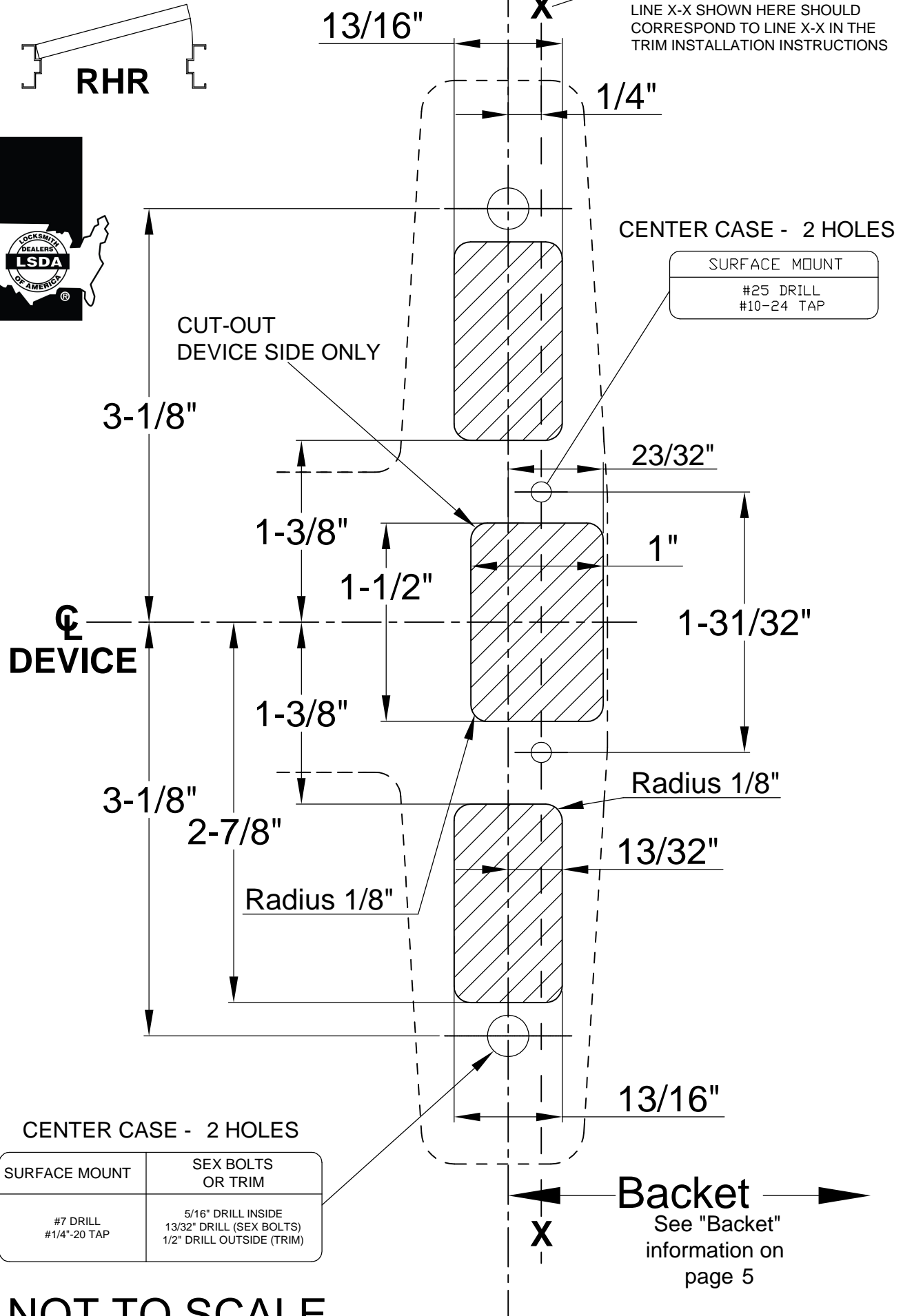
PD9100CR Template

METAL DOOR RHR

☪ DEVICE



LINE X-X IS A REFERENCE LINE FOR TRIM AND EXIT DEVICE ALIGNMENT. LINE X-X SHOWN HERE SHOULD CORRESPOND TO LINE X-X IN THE TRIM INSTALLATION INSTRUCTIONS



CENTER CASE - 2 HOLES	
SURFACE MOUNT	
#25 DRILL	#10-24 TAP

CENTER CASE - 2 HOLES	
SURFACE MOUNT	SEX BOLTS OR TRIM
#7 DRILL #1/4"-20 TAP	5/16" DRILL INSIDE 13/32" DRILL (SEX BOLTS) 1/2" DRILL OUTSIDE (TRIM)

Bucket →
See "Bucket" information on page 5

NOT TO SCALE

DEVICE C

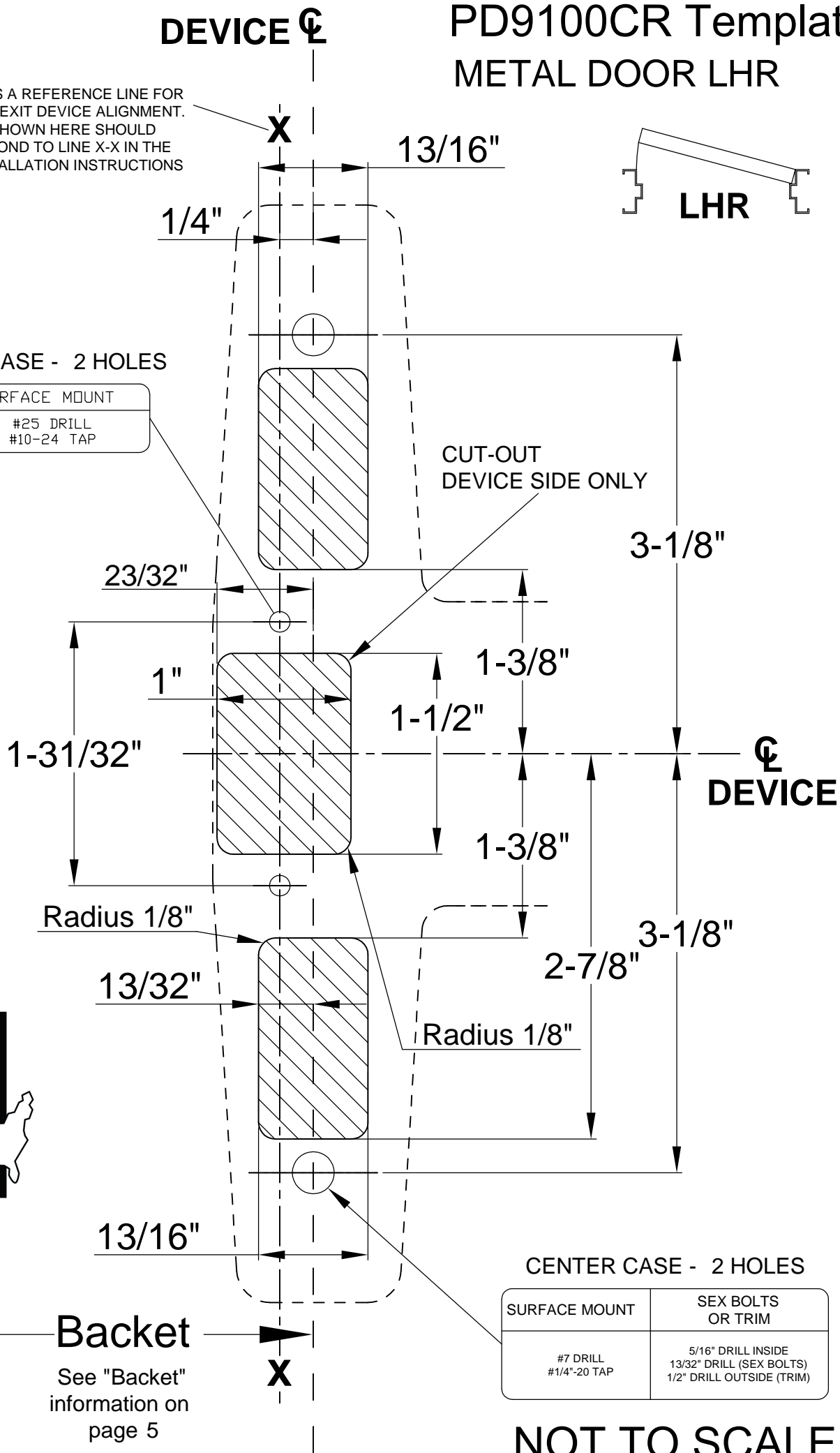
PD9100CR Template METAL DOOR LHR

LINE X-X IS A REFERENCE LINE FOR TRIM AND EXIT DEVICE ALIGNMENT. LINE X-X SHOWN HERE SHOULD CORRESPOND TO LINE X-X IN THE TRIM INSTALLATION INSTRUCTIONS



CENTER CASE - 2 HOLES

SURFACE MOUNT
#25 DRILL
#10-24 TAP



CENTER CASE - 2 HOLES

SURFACE MOUNT	SEX BOLTS OR TRIM
#7 DRILL #1/4"-20 TAP	5/16" DRILL INSIDE 13/32" DRILL (SEX BOLTS) 1/2" DRILL OUTSIDE (TRIM)

Bucket
See "Bucket" information on page 5

NOT TO SCALE