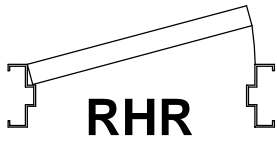


PD9100CR Template

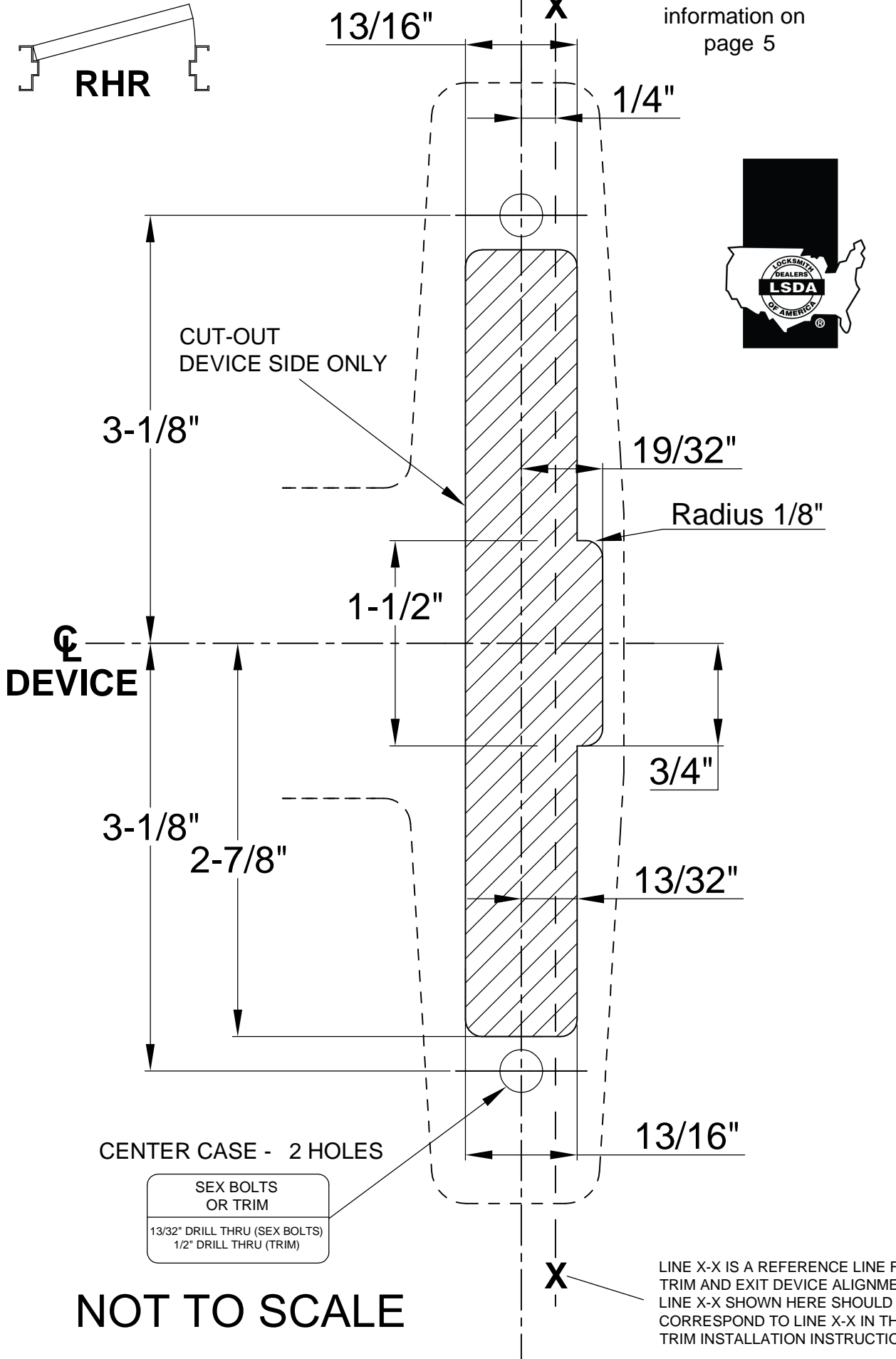
WOOD DOOR RHR



☉ DEVICE

← **Bracket** →

See "Bracket"
information on
page 5



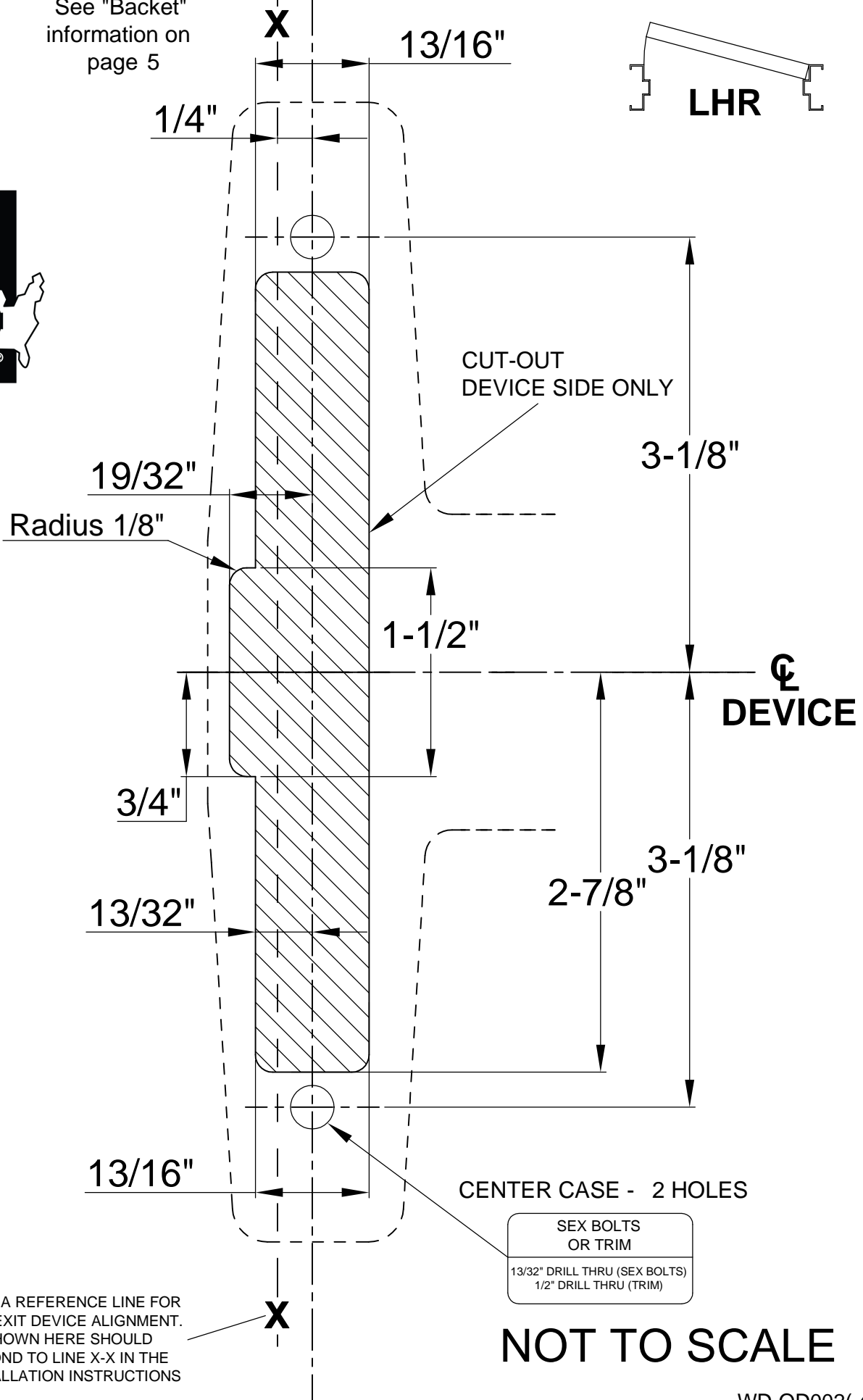
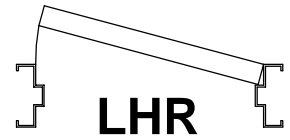
NOT TO SCALE

LINE X-X IS A REFERENCE LINE FOR TRIM AND EXIT DEVICE ALIGNMENT. LINE X-X SHOWN HERE SHOULD CORRESPOND TO LINE X-X IN THE TRIM INSTALLATION INSTRUCTIONS

DEVICE C

**PD9100CR Template
WOOD DOOR LHR**

← Bucket →
See "Bucket"
information on
page 5



SEX BOLTS
OR TRIM
13/32" DRILL THRU (SEX BOLTS)
1/2" DRILL THRU (TRIM)

LINE X-X IS A REFERENCE LINE FOR TRIM AND EXIT DEVICE ALIGNMENT. LINE X-X SHOWN HERE SHOULD CORRESPOND TO LINE X-X IN THE TRIM INSTALLATION INSTRUCTIONS

NOT TO SCALE