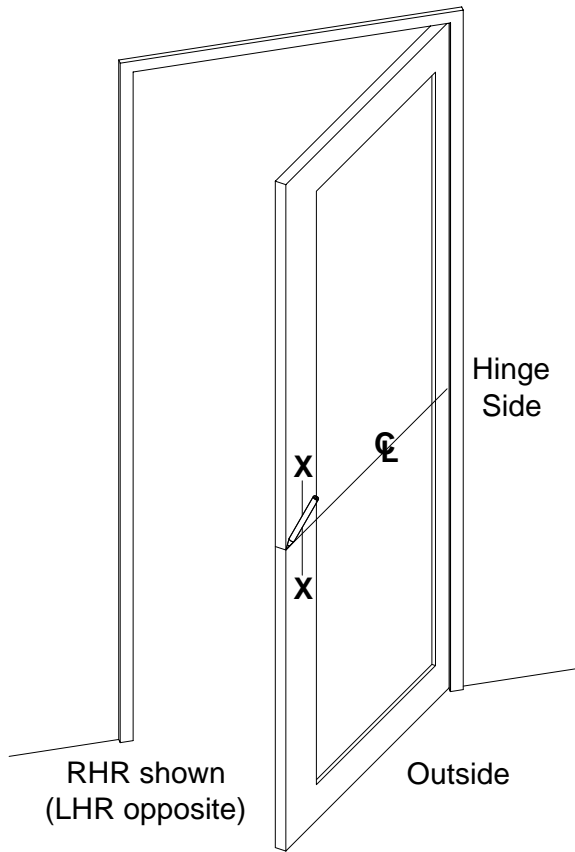
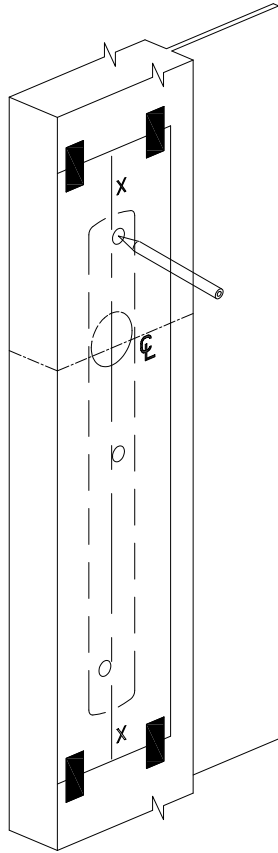


PD9100 SERIES PULL TRIM FOR EXIT DEVICE (PDT11)

INSTALLATION INSTRUCTIONS



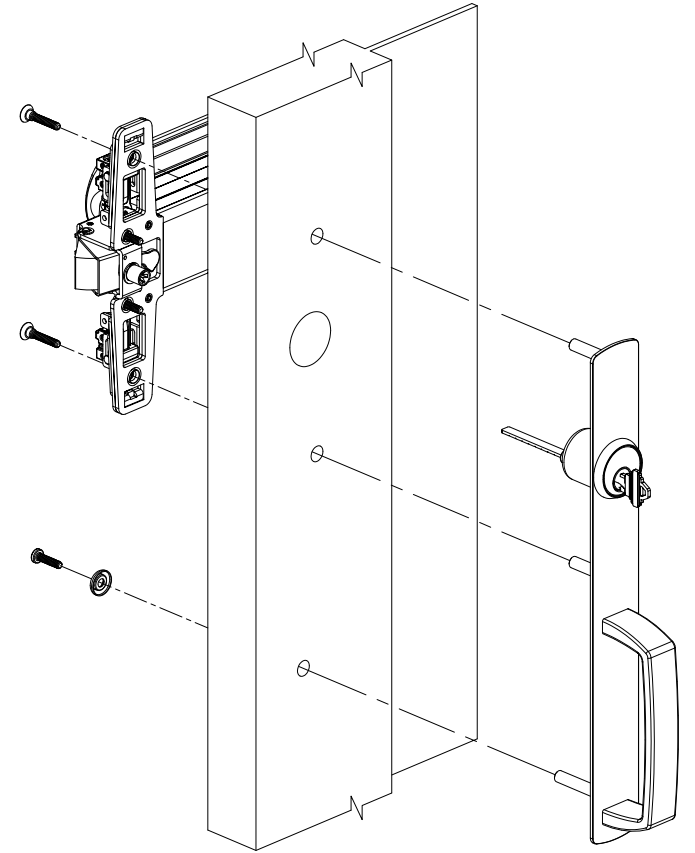
1. Prepare door for exit device. See exit device instructions for holes, backset (line X-X), and center lines.
2. Transfer line X-X from inner (exit device) side of door to outer (trim side) of door. Be extra care if edge of door is beveled. Make sure line X-X is parallel to edge of door.



3. Locate X-X line and prepare required holes with template.

NOTE:

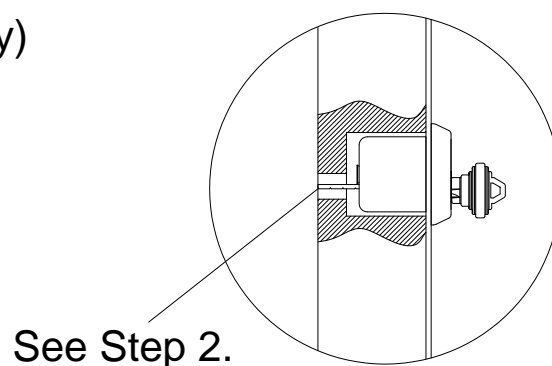
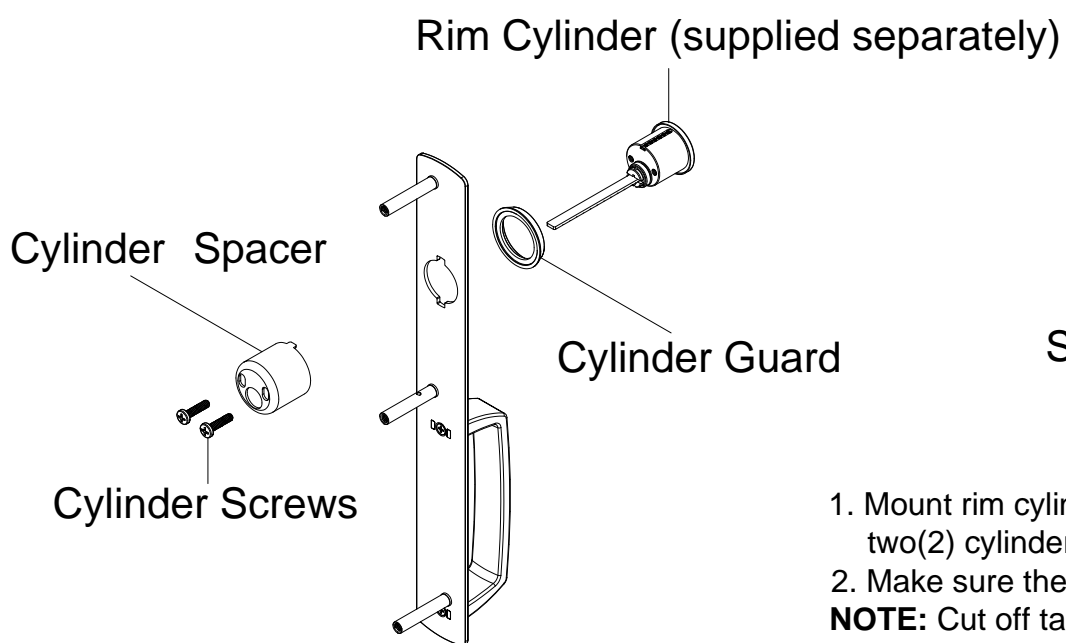
- *.See "APPLICATION CHART" on back page for different trim functions.
- **Be aware when applying templates for right-hand side door and left hand-side door



4. Determine trim handing and assemble trim. (see "INSTALL CYLINDER")

INSTALL CYLINDER

RIM CYLINDER FOR RIM AND VERTICAL ROD DEVICES



1. Mount rim cylinder to cylinder spacer and attach to outer trim with two(2) cylinder screws.
 2. Make sure the tailpiece is aligned with the inner face of door.
- NOTE:** Cut off tailpiece for different door ranges and cylinder lengths.