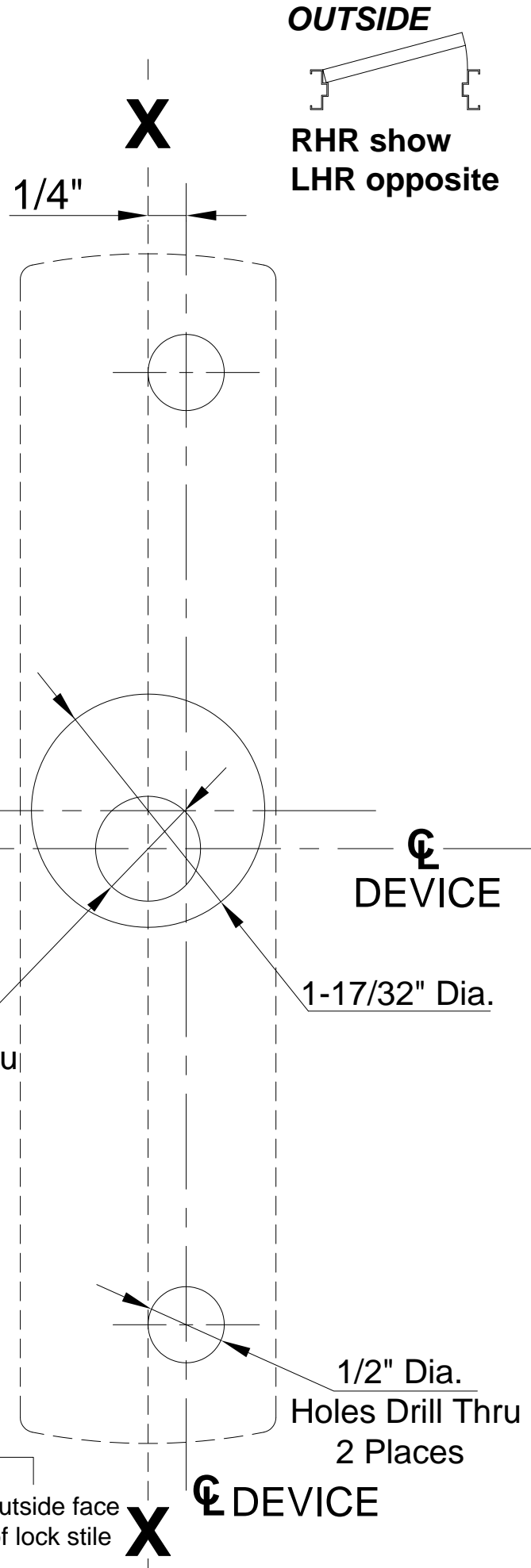
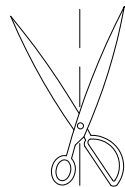
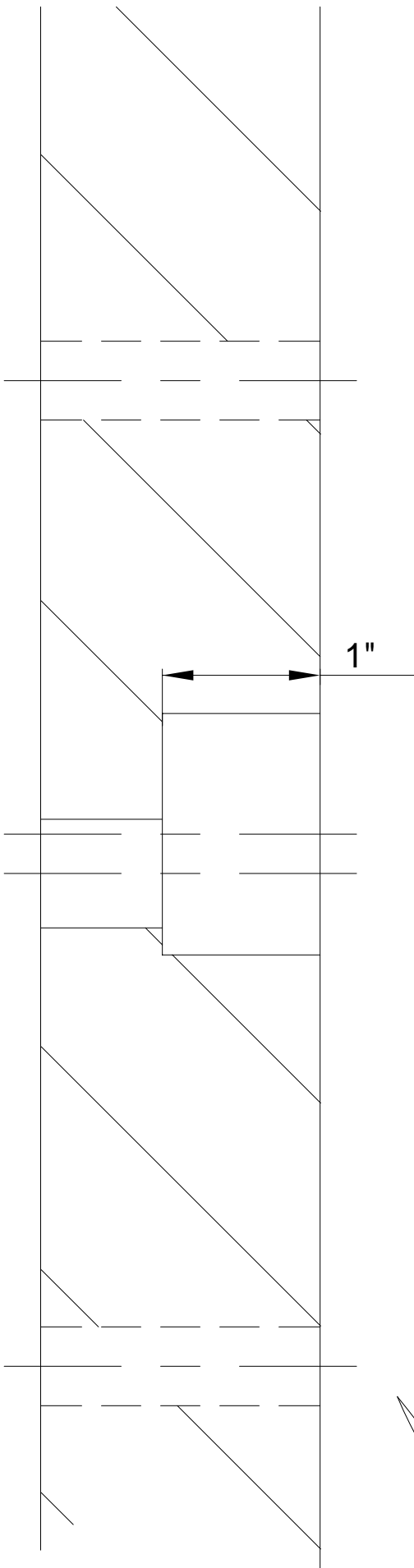


PD9100 SERIES TEMPLATE

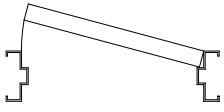
Application Trim No.PDT12



PD9100 SERIES TEMPLATE

Application Trim No.PDT12

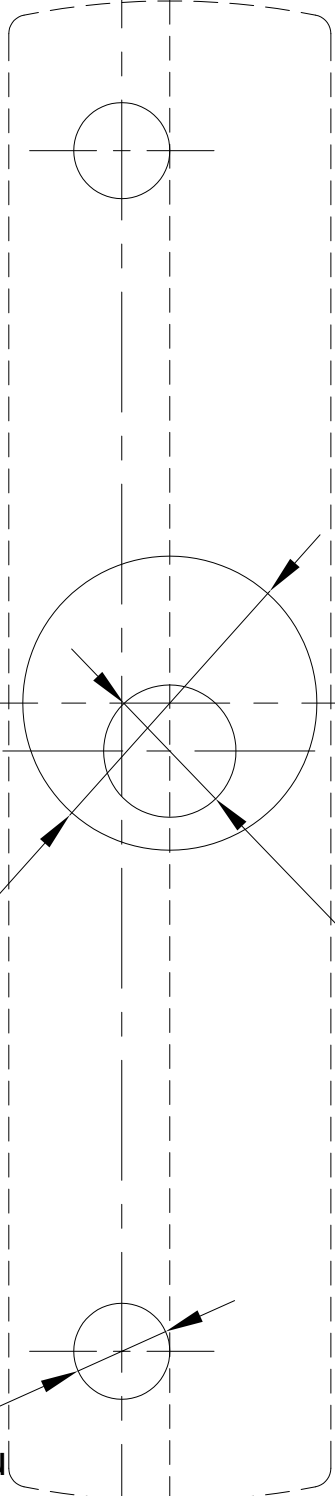
OUTSIDE



LHR show
RHR opposite

X

1/4"



☒
DEVICE

1-17/32" Dia.

11/16" Dia.
Holes Drill Thru

1/2" Dia.
Holes Drill Thru
2 Places

☒ DEVICE

Outside face
of lock stile

X

