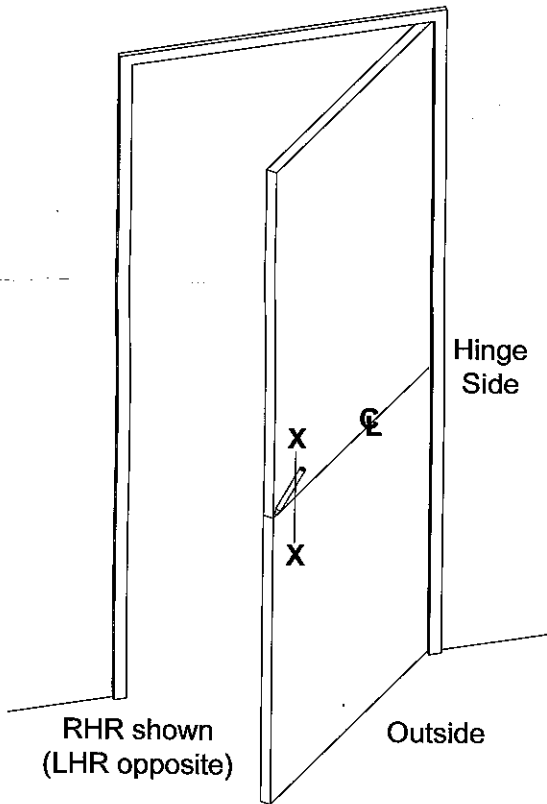


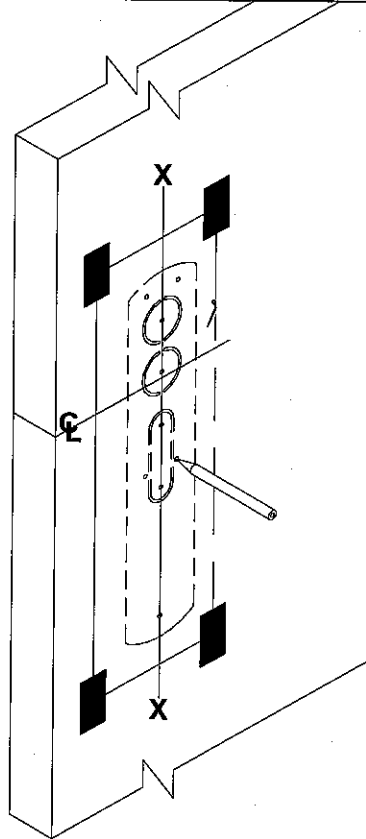
LSDA

PD9200 SERIES THUMBPIECE TRIM FOR EXIT DEVICE

INSTALLATION INSTRUCTIONS

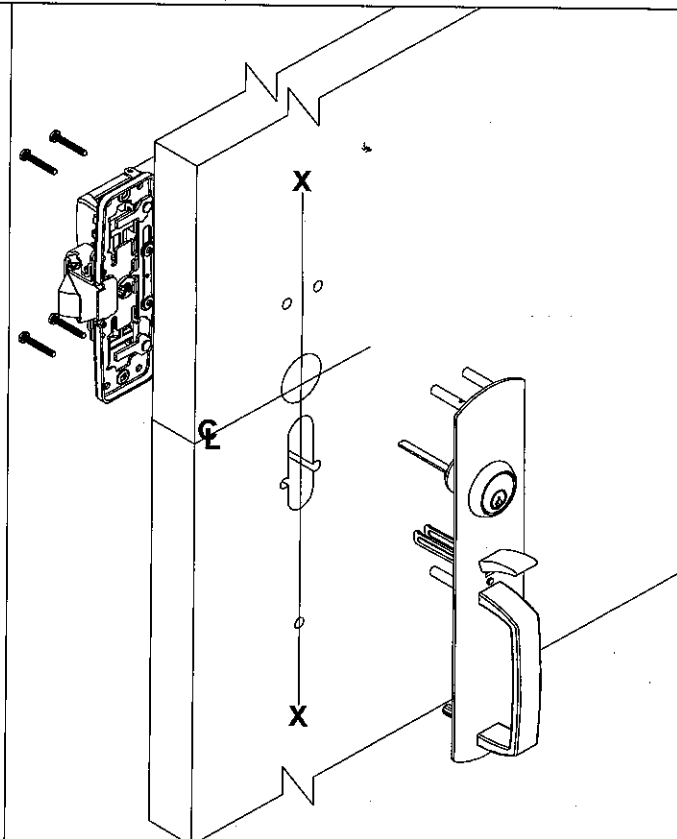


1. Prepare door for exit device. See exit device instructions for holes, backset (line X-X), and center lines.
2. Transfer line X-X from inside (exit device) side of door to outside (trim side) of door. Use extra care if edge of door is beveled. Be sure line X-X is parallel to edge of door.



3. Locate X-X line and prepare required holes with template.

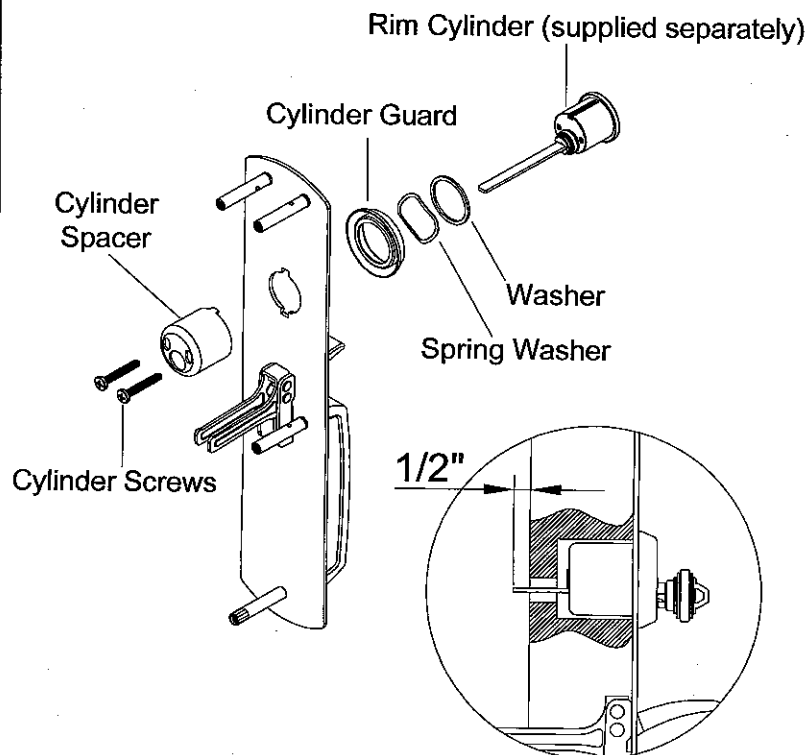
NOTE: See "APPLICATION CHART" on back page for different trim functions.



4. Determine trim handing and assemble trim. (see "INSTALL CYLINDER")

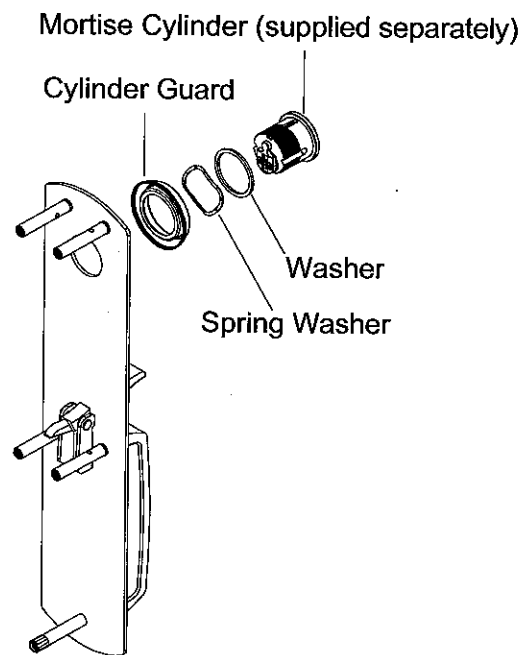
INSTALL CYLINDER

RIM CYLINDER FOR RIM AND VERTICAL ROD DEVICES



1. Mount rim cylinder to cylinder spacer and attach to outside trim with two(2) cylinder screws.
 2. Make sure the tailpiece is extending 1/2" from the inside face of door.
- NOTE:** Cut off tailpiece for different door ranges and various cylinder lengths.

MORTISE CYLINDER FOR MORTISE DEVICE



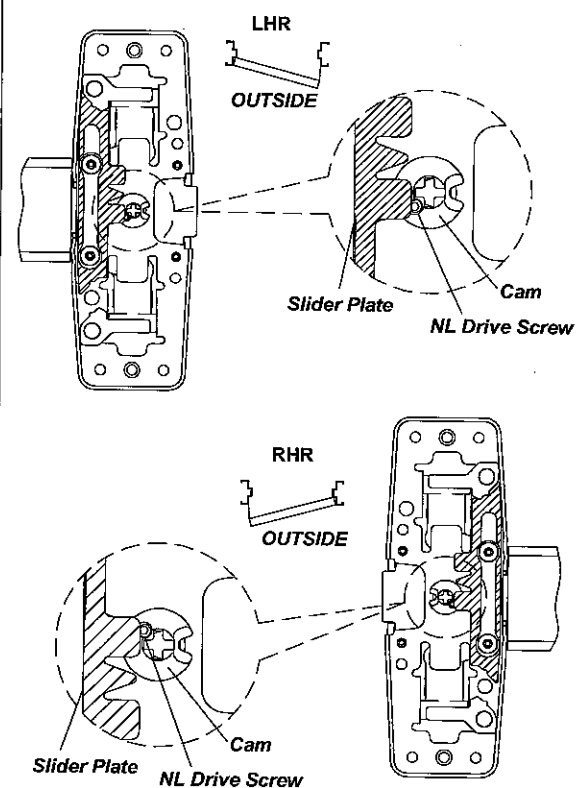
Mount mortise cylinder to mortise case.

NOTE

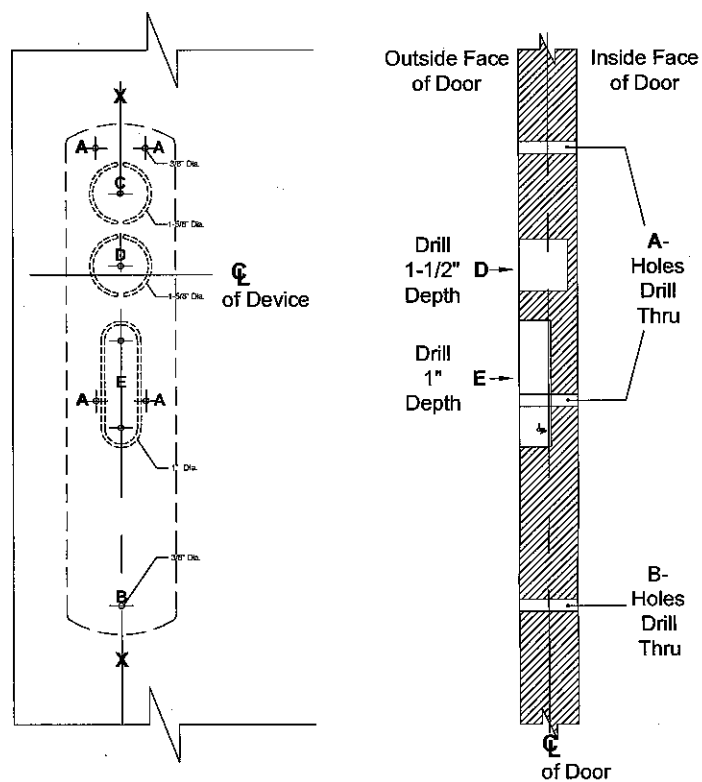
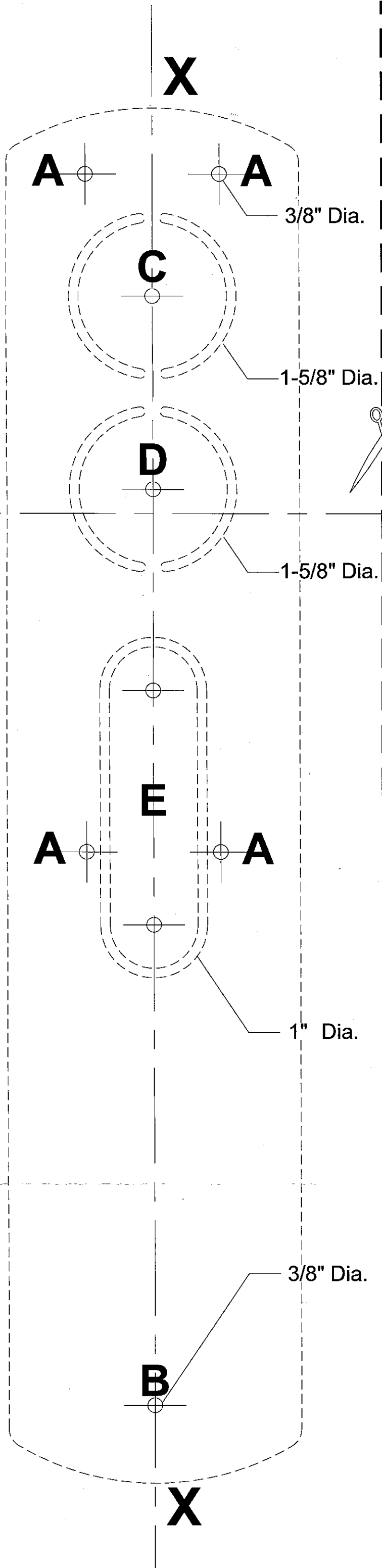
For installing the PDT23RV trim:

1. Remove the NL Drive Screw.
2. Make sure the cylinder tailpiece is able to move the slider plate by driving the cam.

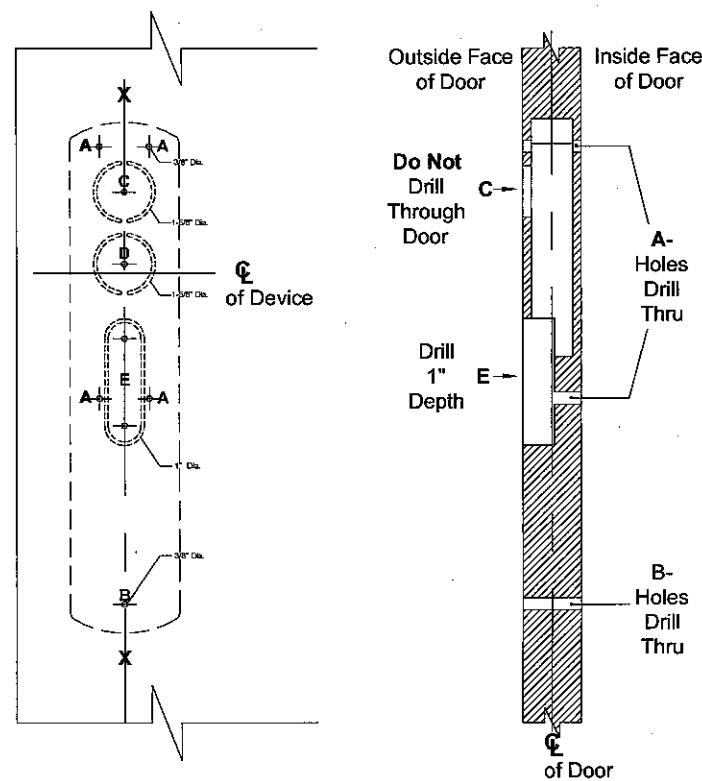
*The NL Drive Screw does not need to be replaced for PDT23RV trim.



DOOR PREPARATION



FOR RIM AND VERTICAL ROD APPLICATION		
CUT OUT ILLUSTRATION		
TRIM DESCRIPTION	PDT22RV	PDT23RV
FUNCTION	03	05
PREPARATION	A+B+D	A+B+D+E



FOR MORTISE LOCK APPLICATION		
CUT OUT ILLUSTRATION		
TRIM DESCRIPTION	PDT22M	PDT23M
FUNCTION	03	05
PREPARATION	A+B+C	A+B+C+E

Patent No. 7,634,927 7,748, D623,499 7,836,738 7,887,100 and other patents pending.