

Grade 2 Knob Locks 100 Series



Overview

The 100-Series door knobs feature cylindrical construction for use on a variety of commercial doors. Classic Ball (B) and Plymouth (P) styles make these excellent retrofit and replacement locks. These locks are recommended for use on exterior and interior doors.

Compliance

- ANSI/BHMA 156.2 Series 4000, Grade 2
- Latch is UL Listed (USA and Canada, R14024)

Applications

- Offices
- Commercial Properties
- Retail Spaces
- Multi-Family Buildings



R14024



Grade 2 Knob Locks, 100 Series

Standard Features:

Latch	2 $\frac{3}{4}$ " or 2 $\frac{3}{8}$ " Backset available UL listed latches (USA or Canada) Drive-In latches available
Handing	Non-Handed
Materials	Knobs and roses are stainless steel, brass or bronze Mechanism is constructed of cold-rolled steel and zinc dichromate finished parts for rust and corrosion resistance
Strike	4 $\frac{7}{8}$ " x 1 $\frac{1}{4}$ " ANSI full lip
Door Prep	2 $\frac{1}{8}$ " diameter bore, 2 $\frac{1}{4}$ " x 1" latch face, or with 1 $\frac{1}{8}$ " wide latch face (where 074SL or 074DL listed in part number)
Door Thickness	1 $\frac{3}{8}$ " - 1 $\frac{3}{4}$ "
Rose Diameter	3"
Keying	Cylinders: Some models sold less cylinder and less latch, lock is compatible with LSDA Replacement C500 cylinders and many other retrofit cylinders including most high security brands. Some models sold complete with SC1 or WR5 cylinder and 2 $\frac{3}{4}$ " latch SFIC: Some models prepped for Small Format Interchangeable Core (SFIC), such as 6- or 7-Pin Best® style cores

Grade 2 Knob Locks, 100 Series

Designs

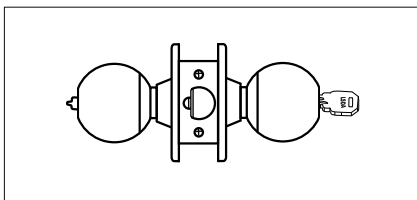


Ball (B)
Entrance Function
Shown in 32D Finish



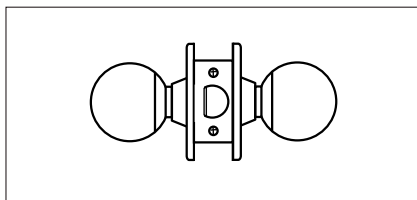
Plymouth (P)
Entrance Function
Shown in 32D Finish

Functions



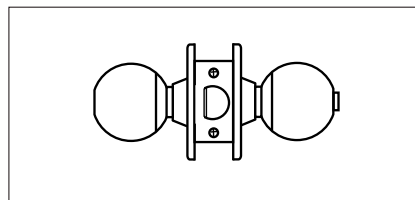
Entrance/Office

Pushing and turning inside button locks outside knob requiring use of key until button is manually unlocked. Pushing inside button locks outside knob until unlocked with a key or inside knob is turned. Inside knob always retracts the latch.



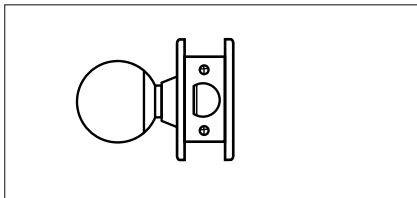
Passage

Both knobs always retract the latch



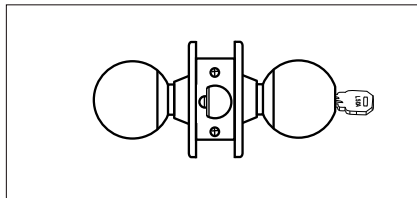
Privacy

Pushing inside button locks outside knob until inside knob is turned. Emergency tool can be used to unlock outside knob. Inside knob always retracts the latch.



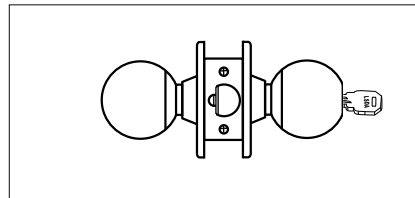
Exit

Blank plate outside, inside knob always free



Storeroom

Outside knob never retracts the latch. Entrance by key only. Inside knob always retracts the latch.



Classroom

Outside knob is locked and unlocked with a key in the outside cylinder. The inside knob always retracts the latch.

Grade 2 Knob Locks, 100 Series

How to Order

Entrance/Office

Mfr.#	Keyway	Latch	EZ#
100B10BE C2-3/4UL	SC1	2¾" UL	027951
100B19S2-3/4UL	SC1	2¾" UL	184412
100B32D SC2-3/4UL	SC1	2¾" UL	027950
100B3SC2-3/4UL	SC1	2¾" UL	027947
100P32D2-3/4SCH C	SC1	2¾" UL	104758
100B32D SC2-3/8	SC1	2¾" UL	027949
100B3 2-3/4SCH C	SC1	2¾"	104692
100B32D2-3/4SCH C	SC1	2¾"	104599
100B5A SC2-3/4	SC1	2¾"	027948
100P3 2-3/4SCH C	SC1	2¾"	104756
100B3SC2-3/8	SC1	2¾"	027946
100B32D2-3/8SCH C074DL	SC1, 1½" FP	2¾" UL	181704
100B3 2-3/8SCH C074DL	SC1, 1½" FP	2¾" UL	181705
100P32D2-3/8SCH C074DL	SC1, 1½" FP	2¾" UL	181706
100P3 2-3/8SCH C074DL	SC1, 1½" FP	2¾" UL	181707
100P3LLLC	L/Cyl.	L/Latch	009320
100B10BE LLLC	L/Cyl.	L/Latch	041262
100B15LLLC	L/Cyl.	L/Latch	180914
100B32D LLLC	L/Cyl.	L/Latch	009311
100B32LLLC	L/Cyl.	L/Latch	009310
100B3LLLC	L/Cyl.	L/Latch	009309
100B5A LLLC	L/Cyl.	L/Latch	009312
100P32D LLLC	L/Cyl.	L/Latch	009322
100B IC10BE LL	SFIC, L/Cyl.	L/Latch	087161
100B IC32D LL	SFIC, L/Cyl.	L/Latch	087162
100B IC3LL	SFIC, L/Cyl.	L/Latch	087159

Privacy

Mfr.#	Desc.	Latch	EZ#
120B10BE2-3/8		2¾"	041272
120B19 2-3/4UL		2¾" UL	184414
120B3 2 3/4		2¾"	028828
120B3 2 3/8		2¾"	027966
120B32 2 3/8		2¾"	060564
120B32D LL		L/Latch	009354
120B32D2-3/4		2¾" UL	027970
120B32D2-3/8		2¾"	027969
120B32D2-3/8 074SL	1½" FP	2¾"	181710
120B3LL		L/Latch	009352
120P3 2-3/8		2¾"	028537
120P32D LL		L/Latch	009361
120P3LL		L/Latch	009359

Passage

Mfr.#	Desc.	Latch	EZ#
110B10BE LL		L/Latch	100684
110B10BE2-3/4		2¾"	027961
110B10BE2-3/8		2¾"	041268
110B15LL		L/Latch	180915
110B3 2 3/4		2¾"	028829
110B19 2-3/4UL		2¾" UL	184413
110B3 2 3/8		2¾"	027956
110B3 2-3/8 074SL	1½" FP	2¾"	181709
110B32D LL		L/Latch	009337
110B32D2-3/4		2¾"	027960
110B32D 2 3/4UL		2¾" UL	072665
110B32D2-3/8		2¾"	027958
110B3LL		L/Latch	009335
110B5A LL		L/Latch	009338
110B5A2-3/8		2¾"	027957
110P32D LL		L/Latch	009344
110P32D2-3/8		2¾"	028535
110P3LL		L/Latch	009342

Continued on Next Page

Grade 2 Knob Locks, 100 Series

How to Order (Continued)

Classroom

Mfr.#	Keyway	Latch	EZ#
150B IC32D LL	SFIC, Less Cyl.	L/Latch	087170
150B10BE LLLC	Less Cyl.	L/Latch	036074
150B32D LLLC	Less Cyl.	L/Latch	009402
150B3LLLC	Less Cyl.	L/Latch	009400
150P3LLLC	Less Cyl.	L/Latch	009409

Institutional

Mfr.#	Keyway	Latch	EZ#
190B32D2-3/4UL ASA	SC1	2¾" UL	085544

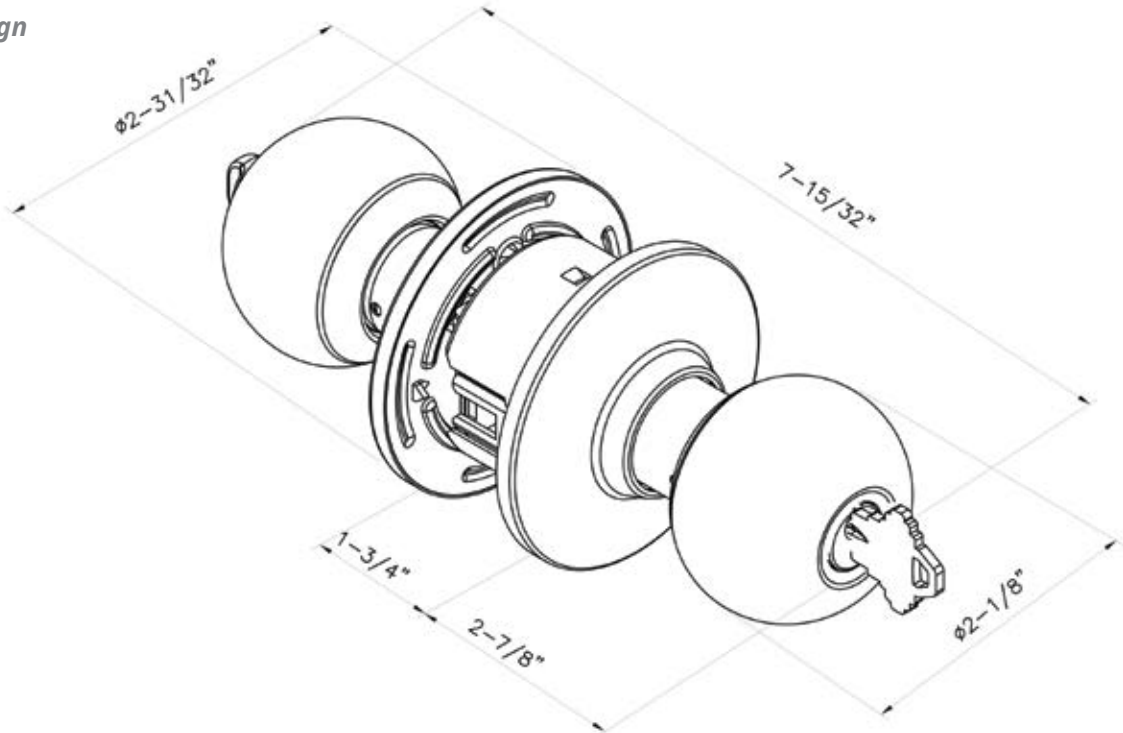
Storeroom

Mfr.#	Keyway	Latch	EZ#
140B IC10BE LL	SFIC, L/Cyl.	L/Latch	087165
140B IC32D LL	SFIC, L/Cyl.	L/Latch	087166
140B IC3LL	SFIC, L/Cyl.	L/Latch	087163
140B10BE LLLC	L/Cyl.	L/Latch	028541
140B15LLLC	L/Cyl.	L/Latch	180917
140B19S2-3/4UL	SC1	2¾" UL	184415
140B3 2-3/4SCH C	SC1	2¾"	104695
140B3 2-3/8SCH C074DL	SC1, 1½" FP	2¾"	181712
140B32D2-3/8SCH C074DL	SC1, 1½" FP	2¾"	181713
140B32D LLLC	L/Cyl.	L/Latch	009375
140B32D SC2-3/4UL	SC1	2¾" UL	027979
140B32D SC2-3/8	SC1	2¾"	027978
140B32D2-3/4SCH C	SC1	2¾"	104697
140B3LLLC	L/Cyl.	L/Latch	009373
140B5A LLLC	L/Cyl.	L/Latch	009376
140P3 2-3/4SCH C	SC1	2¾"	181715
140P3 2-3/8SCH C074DL	SC1, 1½" FP	2¾"	181714
140P32D2-3/8SCH C074DL	SC1, 1½" FP	2¾"	181716
140P3LLLC	L/Cyl.	L/Latch	009384
140P32D LLLC	L/Cyl.	L/Latch	009386
140P32D2-3/4SCH C	SC1	2¾"	104760

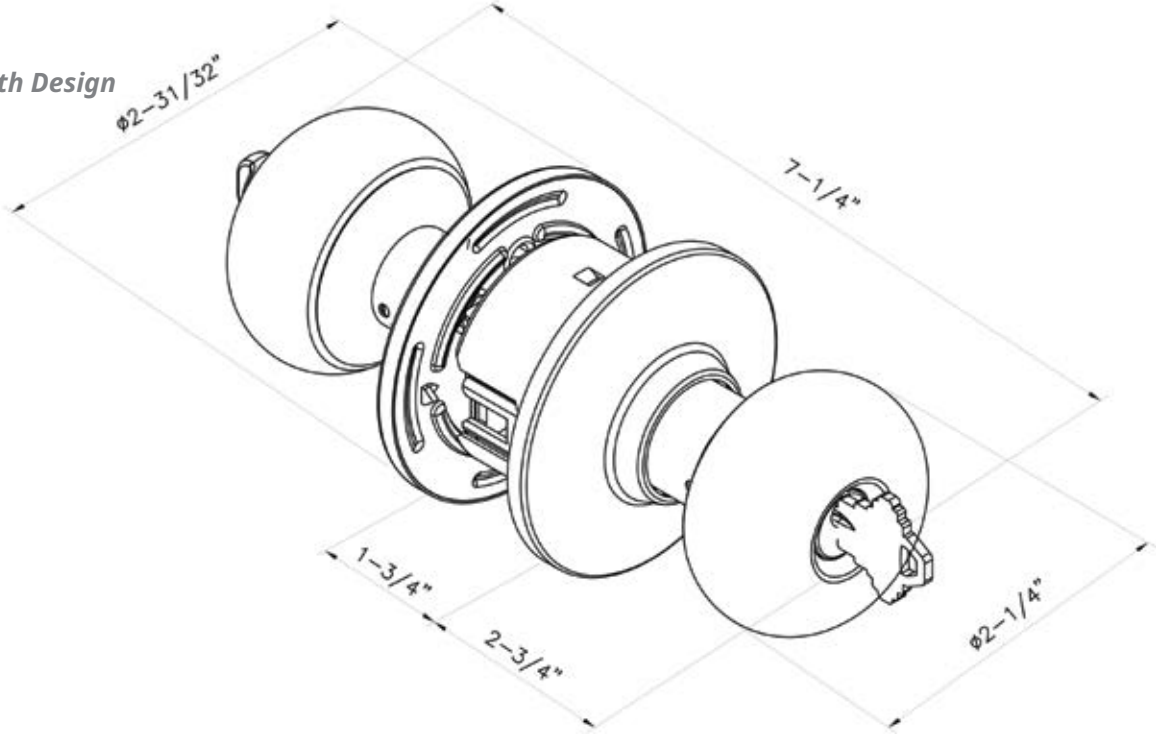
Grade 2 Knob Locks, 100 Series

Dimensions

Ball Design



Plymouth Design



Grade 2 Knob Locks, 100 Series

Parts and Accessories



L105

- Drive-In Latch
- 2¾" Backset
- With Round Face Latch
- Finishes: US3, US32D

Mfr.#	EZ#
105 32D	009744
L105 32D	009334
L105 3	027982



104 / L104

- Drive-In Latch
- 2¾" Backset
- With Round Face Latch (L104)
- Finishes: US3, US32D

Mfr.#	EZ#
104 32D	009741
L104 32D	009333
L104 3 [LSDA]	027981



L074DL

- Deadlatch, 2¾" Backset with 1½" x 2¼" Faceplate
- UL Listed (Where Indicated)
- Finish: US3, US10BE, US26D

Mfr.#	EZ#
L074DL26D	181594
L074DL UL10BE	184232
L074DL UL26D	184239
L074DL UL3	184231



L074SL

- Springlatch, 2¾" Backset with 1½" x 2¼" Faceplate
- UL Listed (Where Indicated)
- Finish: US32D

Mfr.#	EZ#
L074SL32D	181595
L074SL UL10BE	184230
L074SL UL26D	184238
L074SL UL3	184229



L085

- Deadlatches, 2¾" Backset, 1" x 2¼" Faceplate
- UL Listed (Where Indicated)
- Round Corner Faceplate (RC, where indicated)
- Finishes: US3, US5A, 10BE, US19, US26D, US32D, US19

Mfr.#	EZ#
L085 10BE	041288
L085 3	009293
L085 32D	009295
L085 5A	009296
L085 19	184421
L085UL10BE	005569
L085UL26D	005570
L085UL3	005571



L096

- Deadlatches, 2¾" Backset, 1½" x 2¼" Faceplate
- UL Listed (Where Indicated)
- Finishes: US3, US5A, US10, US10BE, US19, US26D, US32D

Mfr.#	EZ#
L096 10	100501
L096 10BE	028532
L096 19	184422
L096 3	009300
L096 32D	009302
L096 5A	009303
L096UL10BE	005572
L096UL19	184785
L096UL3	005574
L096UL26D	005573



L005

- Springlatches, 2¾" Backset, 1" x 2¼" Faceplate
- UL Listed (Where Indicated)
- Round Corner Faceplate (RC, where indicated)
- Finishes: US3, US5A, US10BE, US26D, US32D, US19

Mfr.#	EZ#
L005 10BE	041286
L005 19	184784
L005 3	009279
L005 32D	009281
L005 5A	009282
L005UL3	086726
L005UL26D	086727



L014

- Springlatches, 2¾" Backset, 1½" x 2¼" Faceplate
- UL Listed (Where Indicated)
- Finishes: US3, US5A, US10BE, US32D, US19

Mfr.#	EZ#
L014 10BE	005566
L014 3	009283
L014 32D	009285
L014 5A	009286
L014 19	184783
L014UL32D	083877

Grade 2 Knob Locks, 100 Series

Parts and Accessories



L085R / L095R

- Deadlatch with 1" Round Corner Latch
- 2 3/4" Backset (L095R) or 2 3/8" Backset (L085R)
- Finishes: US32D

Mfr.#	EZ#
L095RC32D	187107
L085RC32D	187106



L005R / L015R

- Springlatch with 1" Round Corner Latch
- 2 3/4" Backset (L015R) or 2 3/8" Backset (L005R)
- Finishes: US32D

Mfr.#	EZ#
L015RC32D	187105
L005RC32D	187104



TPSFIC6

- IC Tailpiece
- 6-Pin

Mfr.#	EZ#
TPSFIC6	061315



TPSFIC7

- IC Tailpiece
- 7-Pin

Mfr.#	EZ#
TPSFIC7	061316



ASA

- ASA Strike
- Finish US26D

Mfr.#	EZ#
TPLVR	009259



T STRIKE

- Strike
- Finishes: US3, US32D

Mfr.#	EZ#
T STRIKE32D	066996
T STRIKE3	066995



CYL

- Key-in-Knob (KIK) Cylinder
- Drilled 6-Pin, Pinned 5-Pin
- Keyway: SC1 (C), AR1 (A)
- Finishes: US3, US4, US26D, US32D
- Keyed Alike: Keyed Different (KD), Keyed Alike in Fours (KA4) where indicated, or individually if not indicated

Mfr.#	EZ#
CYL C26D KD	009051
CYL C4KD	009050
CYL C4KA4	180715
CYL C26D KA4	180714
CYL A26D KD	005564
CYL A4KD	009054



TPLVR

- Regular Cylinder Tailpiece

Mfr.#	EZ#
TPLVR	009259



EL5

- 5" extension link for 2 3/4" latch

Mfr.#	EZ#
EL5	028533

Grade 2 Knob Locks, 100 Series

Finishes

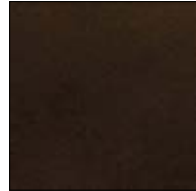
US3 / 505 / 605
Bright Brass



US5 / 609
Antique Brass



10BE / 613E
Dark Oxidized
Satin Bronze



US15 / 619
Satin Nickel



US32D / 630
Satin Stainless
Steel



US19 / BLK / 622
Matte Black Coated

